

Specialized in  
LED OUTDOOR LIGHT



**Shanghai Ever International Corporation Limited**  
Room 402, No. 2, Dongxu Center, Lane 1933, North Zhangyang Road, Pudong  
New Area, Shanghai, China  
Telephone : +86 21 58660061  
Email : sales@hydgetlighting.com

<http://www.hydgetlighting.com>

Landscape and Architectural  
Lighting Catalog

LIGHTING  
**HYDGET** 恒域

LED调焦投光灯-TF系列 IP 66

6W~45W P03~12

Variable Focusing LED Landscape Spot Light



LED景观投光灯-LP系列 IP 66

3W~50W P13~22

Landscape Spot Light



LED景观投光灯-TW系列 IP 66

6W~70W P23~30

Landscape Spot Light



LED景观投光灯-LS系列 IP 66

6W~70W P23~30

Landscape Spot Light



LED景观投光灯 IP 66  
Landscape Spot Light



可调角埋地灯 IP67  
Beam Angle Adjustable Inground Light



深防眩埋地灯 IP67  
Depth Illuminant Inground Light



COB埋地灯 IP67  
COB LED Recessed Inground Light



COB偏光埋地灯 IP67  
COB LED Asymmetric Inground Light

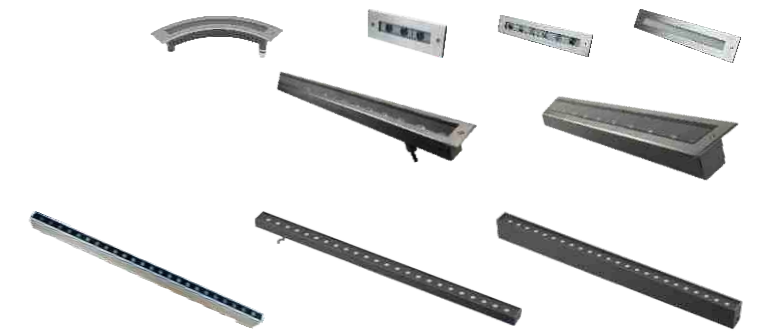


条形埋地灯 IP67  
Linear Inground light

P81~82

P83~84

P87~92



嵌入式埋地灯 IP67  
Recessed Inground Light

P99~108

P99~108

P99~108

P129~134



侧出光埋地灯 IP67  
Recessed Inground Side-light

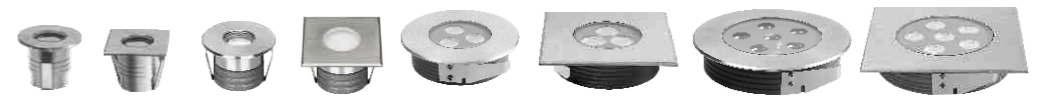
P117~128

P117~128



超薄埋地灯 IP67  
Slim Type Recessed LED Inground Light

P109~116



嵌入式水下灯 IP68  
Recessed Underwater Light



P139~146



P137~138



P147~150



P151~152



P155~161



P162

水下灯景观投光灯 IP68  
Underwater Spot Light



P165~168



P168~174



P177~178

IP65 壁灯/墙角灯  
Recessed Wall Light



P201~202



P203~206



P207~210



P211~212

IP65 洗墙灯  
Wall Washer Light

P179~188



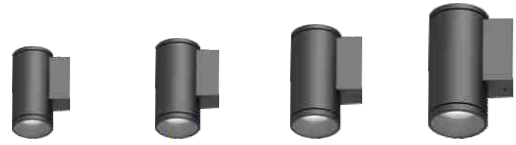
IP66 户外吸顶灯  
Outdoor Ceiling Light



P189~198

壁灯单头  
Wall Light

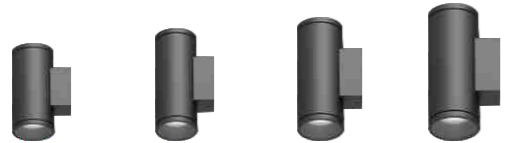
IP65



P215~216

壁灯双头  
Wall Light

IP65



P217~218

窗台灯  
Outline Light

IP65



P219~224

扶手灯  
Handrail Light

IP65



P225~226

LED 景观投光灯  
LED Landscape Spot Light Series

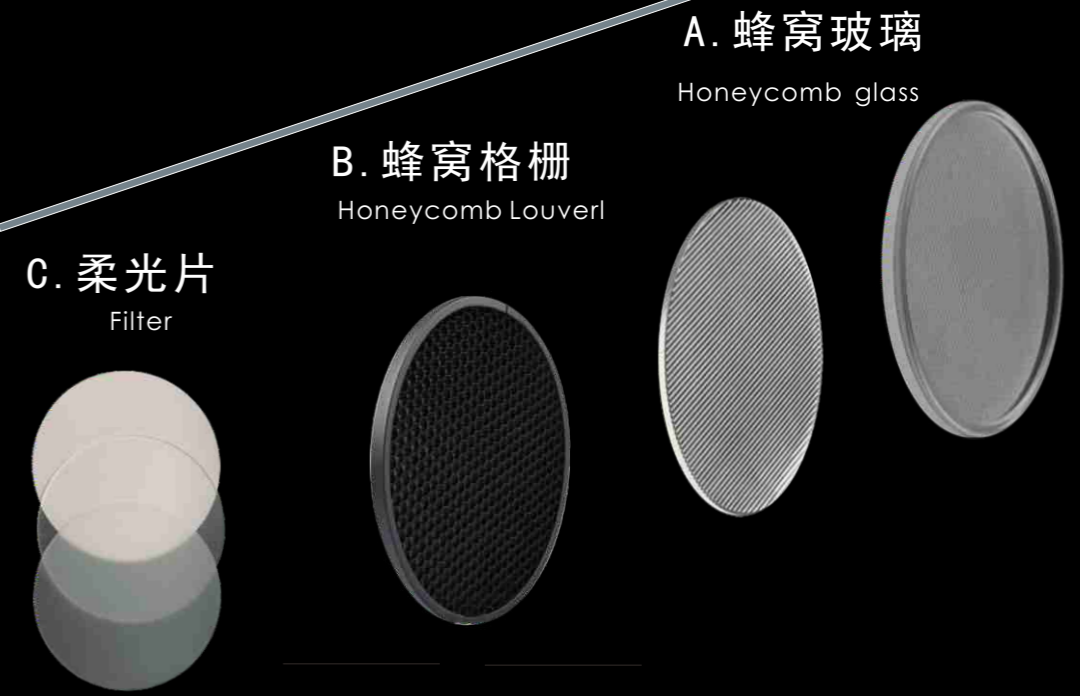


# LED调焦景观投光灯系列

Variable Focusing LED Landscape Spot Light Series



## 控光配件 Optical Controlling Accessories



比单反相机还有感觉的阻尼调焦手感  
Variable Focusing Beam Angle Available  
From 15° to 60°



# LED调焦景观投光灯

## Variable Focusing LED Landscape Spot Light Series

### 金属旋钮阻尼调焦手感



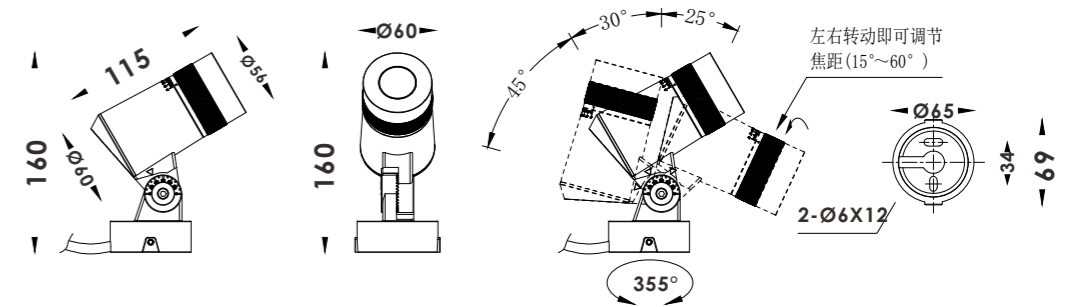
## 产品简介Product Introduction

1. 拥有自主知识产权外观设计, 优雅时尚美观, 极具工业设计感, 采用一体式散热设计, 保证灯具长时间的使用寿命。
2. 玻璃采用4MM超白高强度钢化玻璃, 保证灯具光输出的超高效率 (90-95%) 和色温的准确性以及极强的抗冲击耐摩擦能力。
3. 环保ACD12#高强度压铸铝, 表面高端老虎粉体烤漆喷涂处理, 盐雾测试可达1000小时以上, 以确保海边等高温高酸碱环境的使用。
4. LED采用国际一线品牌美国CREE, 超高亮度输出, 光色一致性好, 显色指数大于80以上 (可选90以上)。
5. 驱动模块也均采用国际一线品牌元器件, 保证灯具稳定与故障的低概率。
6. 配件: 地插件-高强度ABS, 加长杆-6063铝 (表面老虎粉体烤漆喷涂)。
7. 可选择多向旋转底座、多向旋转抱树、多向旋转抱杆、多向旋转插地安装, 满足多种户外工程的应用。
8. 灯具支持DMX512, 1-10V, DALI, TRIAC, PWM调光控制, 调光顺滑柔和。

1. Independent intellectual property design reveals senses of elegance, fashion, art, especially bring strong sense of industrial style. Integrated thermal design guarantees long working time.
2. Ultra clear and highly strengthen 4mm tempered glass cover, ensure high luminous efficacy (90-95%), outstanding accuracy of color temperature, and excellent impact resistance and rub resistance.
3. Environmental friendly highly strengthen ADC 12# die-casting aluminum housing with Tiger powder coated spraying process, could reach over 1000 hours in salt spray test and ensure the usage in high humid, high acid, and high alkaline environments like seaside.
4. Apply international top brand CREE LED to achieve high lumen output, great photochromic consistency and CRI>80Ra (>90Ra is available)
5. Use international top brand component driving module to guarantee the luminous stability and low breakdown probability.
6. Various accessories are optional, including high-impact ABS ground spike and 6063 power coated aluminum pole.
7. Various installation modes to satisfy multiple outdoor project requirements, such as multidirectional base mounting, multidirectional tree ring mounting and multidirectional ground spike mounting.
8. Support DMX512, 1-10V, DALI, TRIAC or PWM dimming control, which runs smoothly and softly.

## Product specifications

Item No.	WB3060R1*b-A8-M/WB3060R1*b-A8-B
LED source	CREE
Beam angle	15°-60°
LED color	2700K/3000K/4000K/5000K/6000K
Power	1*6W
Input voltage	DC12V/DC24V H05RN-F-2*1.0mm <sup>2</sup> AC100~240V H05RN-F-3*0.75mm <sup>2</sup>
Operating temperature	-20℃~40℃
IK rate	05
Luminance(lm)	Warm white= lm
Dimmable support	Triac/PWM/0-10V/DALI/DMX512



Left or right rotate the rotary ring to adjust focusing to adjust beam angle available from 15°~60°



# LED调焦景观投光灯

## Variable Focusing LED Landscape Spot Light Series

### 金属旋钮阻尼调焦手感



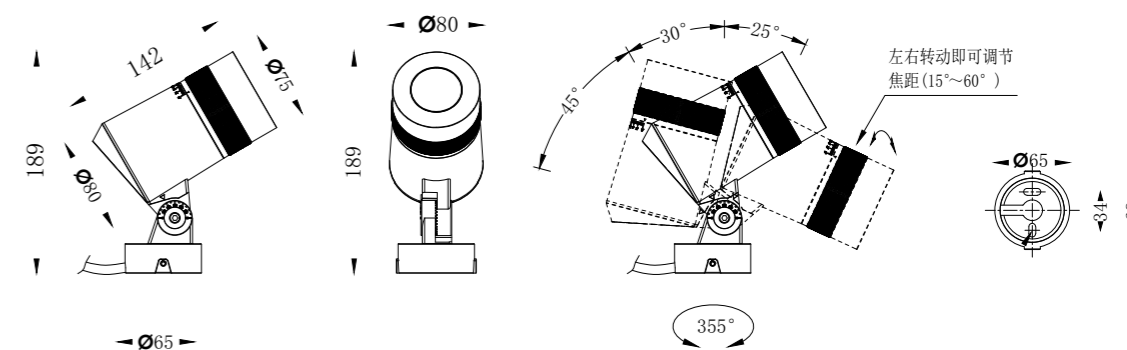
### 产品简介Product Introduction

1. 拥有自主知识产权外观设计, 优雅时尚美观, 极具工业设计感, 采用一体式散热设计, 保证灯具长时间的使用寿命。
2. 玻璃采用4MM超白高强度钢化玻璃, 保证灯具光输出的超高效率 (90-95%) 和色温的准确性以及极强的抗冲击耐摩擦能力。
3. 环保ACD12#高强度压铸铝, 表面高端老虎粉体烤漆喷涂处理, 盐雾测试可达1000小时以上, 以确保海边等高湿高酸碱环境的使用。
4. LED采用国际一线品牌美国CREE, 超高亮度输出, 光色一致性好, 显色指数大于80以上 (可选90以上)。
5. 驱动模块也均采用国际一线品牌元器件, 保证灯具稳定与故障的低概率。
6. 配件: 地插件-高强度ABS, 加长杆-6063铝 (表面老虎粉体烤漆喷涂)。
7. 可选择多向旋转底座、多向旋转抱树、多向旋转抱杆、多向旋转插地安装, 满足多种户外工程的应用。
8. 灯具支持DMX512, 1-10V, DALI, TRIAC, PWM调光控制, 调光顺滑柔和。

1. Independent intellectual property design reveals senses of elegance, fashion, art, especially bring strong sense of industrial style. Integrated thermal design guarantees long working time.
2. Ultra clear and highly strengthen 4mm tempered glass cover, ensure high luminous efficacy (90-95%), outstanding accuracy of color temperature, and excellent impact resistance and rub resistance.
3. Environmental friendly highly strengthen ADC 12# die-casting aluminum housing with Tiger powder coated spraying process, could reach over 1000 hours in salt spray test and ensure the usage in high humid, high acid, and high alkaline environments like seaside.
4. Apply international top brand CREE LED to achieve high lumen output, great photochromic consistency and CRI>80Ra (>90Ra is available)
5. Use international top brand component driving module to guarantee the luminous stability and low breakdown probability.
6. Various accessories are optional, including high-impact ABS ground spike and 6063 power coated aluminum pole.
7. Various installation modes to satisfy multiple outdoor project requirements, such as multidirectional base mounting and multidirectional ground spike mounting.
8. Support DMX512, 1-10V, DALI, TRIAC or PWM dimming control, which runs smoothly and softly.

### Product specifications

Item No.	WB3080R1*b-A8-M/WB3080R1*b-A8-B
LED source	CREE
Beam angle	15°~60°
LED color	2700K/3000K/4000K/5000K/6000K
Power	1*10W
Input voltage	DC12V/DC24V H05RN-F-2*1.0mm <sup>2</sup> AC100~240V H05RN-F-3*0.75mm <sup>2</sup>
Operating temperature	-20℃~40℃
IK rate	05
Luminance(lm)	Warm white=lm
Dimmable support	Triac/PWM/0-10V/DALI/DMX512



Left or right rotate the rotary ring to adjust focusing to adjust beam angle available from 15°~60°

# LED调焦景观投光灯

## Variable Focusing LED Landscape Spot Light Series

### 金属旋钮阻尼调焦手感

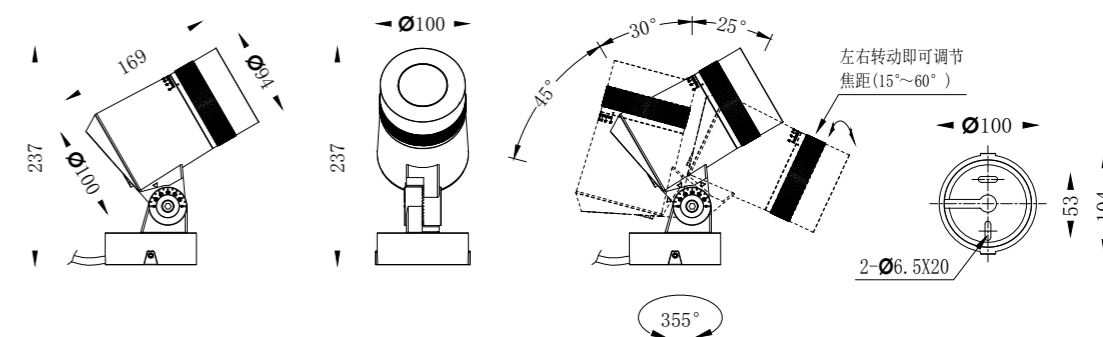


## 产品简介Product Introduction

1. 拥有自主知识产权外观设计, 优雅时尚美观, 极具工业设计感, 采用一体式散热设计, 保证灯具长时间的使用寿命。
2. 玻璃采用4MM超白高强度钢化玻璃, 保证灯具光输出的超高效率 (90-95%) 和色温的准确性以及极强的抗冲击耐摩擦能力。
3. 环保ACD12#高强度压铸铝, 表面高端老虎粉体烤漆喷涂处理, 盐雾测试可达1000小时以上, 以确保海边等高温高酸碱环境的使用。
4. LED采用国际一线品牌美国CREE, 超高亮度输出, 光色一致性好, 显色指数大于80以上 (可选90以上)。
5. 驱动模块也均采用国际一线品牌元器件, 保证灯具稳定与故障的低概率。
6. 配件: 地插件-高强度ABS, 加长杆-6063铝 (表面老虎粉体烤漆喷涂)。
7. 可选择多向旋转底座、多向旋转抱树、多向旋转抱杆、多向旋转插地安装, 满足多种户外工程的应用。
8. 灯具支持DMX512, 1-10V, DALI, TRIAC, PWM调光控制, 调光顺滑柔和。

1. Independent intellectual property design reveals senses of elegance, fashion, art, especially bring strong sense of industrial style. Integrated thermal design guarantees long working time.
2. Ultra clear and highly strengthen 4mm tempered glass cover, ensure high luminous efficacy (90-95%), outstanding accuracy of color temperature, and excellent impact resistance and rub resistance.
3. Environmental friendly highly strengthen ADC 12# die-casting aluminum housing with Tiger powder coated spraying process, could reach over 1000 hours in salt spray test and ensure the usage in high humid, high acid, and high alkaline environments like seaside.
4. Apply international top brand CREE LED to achieve high lumen output, great photochromic consistency and CRI>80Ra (>90Ra is available)
5. Use international top brand component driving module to guarantee the luminous stability and low breakdown probability.
6. Various accessories are optional, including high-impact ABS ground spike and 6063 power coated aluminum pole.
7. Various installation modes to satisfy multiple outdoor project requirements, such as multidirectional base mounting, multidirectional tree ring mounting and multidirectional ground spike mounting.
8. Support DMX512, 1-10V, DALI, TRIAC or PWM dimming control, which runs smoothly and softly.

Product specifications	
Item No.	WB3100R1*b-A8-M/WB3100R1*b-A8-B
LED source	CREE
Beam angle	15°~60°
LED color	2700K/3000K/4000K/5000K/6000K
Power	1*15W
Input voltage	DC12V/DC24V H05RN-F-2*1.0mm <sup>2</sup> AC100~240V H05RN-F-3*0.75mm <sup>2</sup>
Operating temperature	-20°C~40°C
IK rate	05
Luminance(lm)	Warm white= lm
Dimmable support	Triac/PWM/0-10V/DALI/DMX512



Left or right rotate the rotary ring to adjust focusing to adjust beam angle available from 15°~60°

# LED调焦景观投光灯

## Variable Focusing LED Landscape Spot Light Series

### 金属旋钮阻尼调焦手感



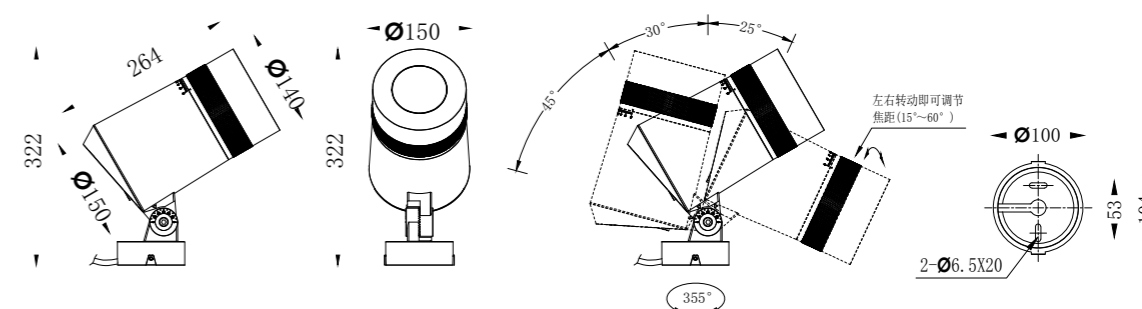
### 产品简介Product Introduction

1. 拥有自主知识产权外观设计, 优雅时尚美观, 极具工业设计感, 采用一体式散热设计, 保证灯具长时间的使用寿命。
2. 玻璃采用4MM超白高强度钢化玻璃, 保证灯具光输出的超高效率 (90-95%) 和色温的准确性以及极强的抗冲击耐摩擦能力。
3. 环保ACD12#高强度压铸铝, 表面高端老虎粉体烤漆喷涂处理, 盐雾测试可达1000小时以上, 以确保海边等高温高酸碱环境的使用。
4. LED采用国际一线品牌美国CREE, 超高亮度输出, 光色一致性好, 显色指数大于80以上 (可选90以上)。
5. 驱动模块也均采用国际一线品牌元器件, 保证灯具稳定与故障的低概率。
6. 配件: 地插件-高强度ABS, 加长杆-6063铝 (表面老虎粉体烤漆喷涂)。
7. 可选择多向旋转底座、多向旋转抱树、多向旋转抱杆、多向旋转插地安装, 满足多种户外工程的应用。
8. 灯具支持DMX512, 1-10V, DALI, TRIAC, PWM调光控制, 调光顺滑柔和。

1. Independent intellectual property design reveals senses of elegance, fashion, art, especially bring strong sense of industrial style. Integrated thermal design guarantees long working time.
2. Ultra clear and highly strengthen 4mm tempered glass cover, ensure high luminous efficacy (90-95%), outstanding accuracy of color temperature, and excellent impact resistance and rub resistance.
3. Environmental friendly highly strengthen ADC 12# die-casting aluminum housing with Tiger powder coated spraying process, could reach over 1000 hours in salt spray test and ensure the usage in high humid, high acid, and high alkaline environments like seaside.
4. Apply international top brand CREE LED to achieve high lumen output, great photochromic consistency and CRI>80Ra (>90Ra is available).
5. Use international top brand component driving module to guarantee the luminous stability and low breakdown probability.
6. Various accessories are optional, including high-impact ABS ground spike and 6063 power coated aluminum pole.
7. Various installation modes to satisfy multiple outdoor project requirements, such as multidirectional base mounting, multidirectional tree ring mounting and multidirectional ground spike mounting.
8. Support DMX512, 1-10V, DALI, TRIAC or PWM dimming control, which runs smoothly and softly.

### Product specifications

Item No.	WB3150R1*b-A8-M/WB3150R1*b-A8-B
LED source	CREE
Beam angle	15°-60°
LED color	2700K/3000K/4000K/5000K/6000K
Power	1*30W
Input voltage	DC12V/DC24V H05RN-F-2*1.0mm <sup>2</sup> AC100~240V H05RN-F-3*0.75mm <sup>2</sup>
Operating temperature	-20℃~40℃
IK rate	05
Luminance(lm)	Warm white= lm
Dimmable support	Triac/PWM/0-10V/DALI/DMX512



Left or right rotate the rotary ring to adjust focusing to adjust beam angle available from 15°~60°

# LED 圆形景观投光灯系列

## Round Type LED Landscape Spotlight Series



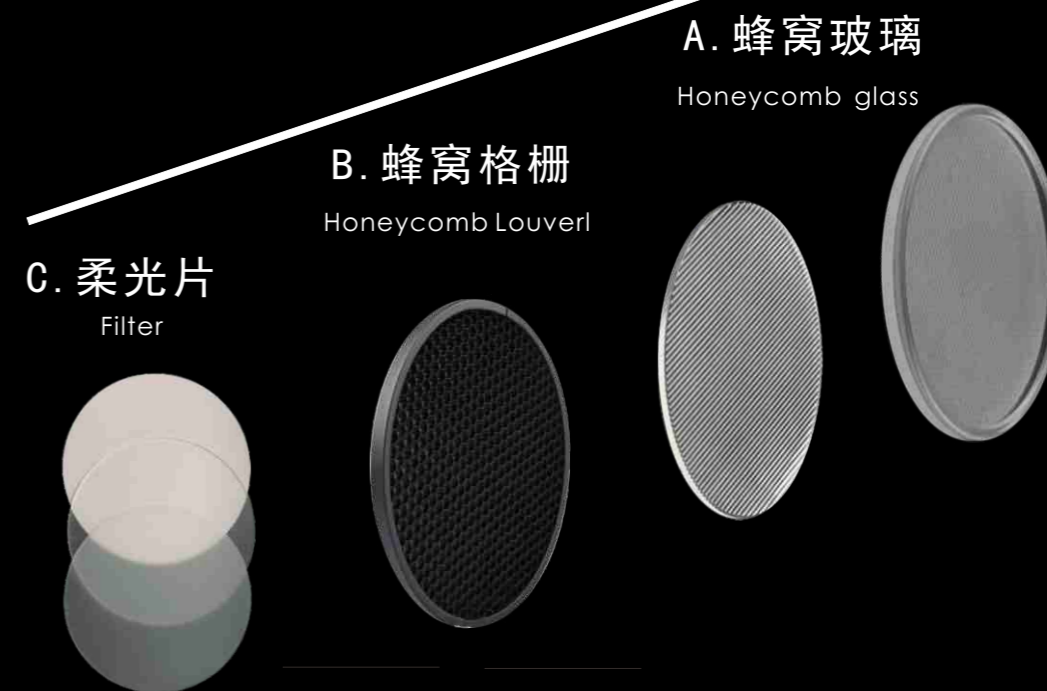
### 控光配件

#### Optical Controlling Accessories



### 控光配件

#### Optical Controlling Accessories

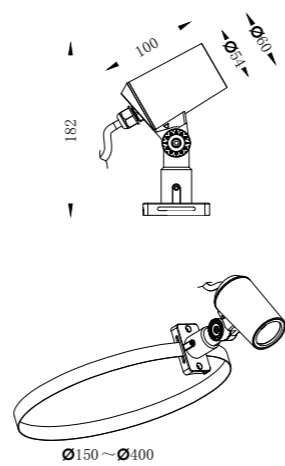
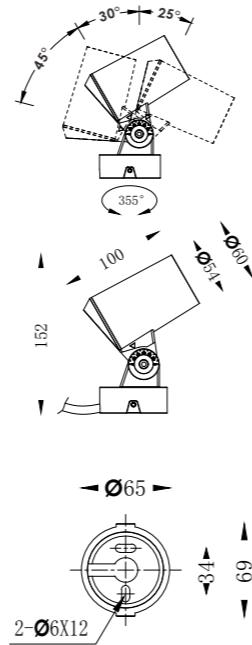


# LED景观投光灯

## LED Landscape Spot Light



WB3060R1\*a-A3-M



### 产品简介Product Introduction

1. 拥有自主知识产权外观设计, 优雅时尚美观, 极具工业设计感, 采用一体式散热设计, 保证灯具长时间的使用寿命。
2. 玻璃采用4MM超白高强度钢化玻璃, 保证灯具光输出的超高效率 (90-95%) 和色温的准确性以及极强的抗冲击耐摩擦能力。
3. 环保ACD12#高强度压铸铝, 表面高端老虎粉体烤漆喷涂处理, 盐雾测试可达1000小时以上, 以确保海边等高温高酸碱环境的使用。
4. LED采用国际一线品牌美国CREE, 超高亮度输出, 光色一致性好, 显色指数大于80以上 (可选90以上)。
5. 驱动模块也均采用国际一线品牌元器件, 保证灯具稳定与故障的低概率。
6. 配件: 地插件-高强度ABS, 加长杆-6063铝 (表面老虎粉体烤漆喷涂)。
7. 可选择多向旋转底座、多向旋转抱树、多向旋转抱杆、多向旋转插地安装, 满足多种户外工程的应用。
8. 灯具支持DMX512, 1-10V, DALI, TRIAC, PWM调光控制, 调光顺滑柔和。

1. Independent intellectual property design reveals senses of elegance, fashion, art, especially bring strong sense of industrial style. Integrated thermal design guarantees long working time.
2. Ultra clear and highly strengthen 4mm tempered glass cover, ensure high luminous efficacy (90-95%), outstanding accuracy of color temperature, and excellent impact resistance and rub resistance.
3. Environmental friendly highly strengthen ADC 12# die-casting aluminum housing with Tiger powder coated spraying process, could reach over 1000 hours in salt spray test and ensure the usage in high humid, high acid, and high alkaline environments like seaside.
4. Apply international top brand CREE LED to achieve high lumen output, great photochromic consistency and CRI>80Ra (>90Ra is available)
5. Use international top brand component driving module to guarantee the luminous stability and low breakdown probability.
6. Various accessories are optional, including high-impact ABS ground spike and 6063 power coated aluminum pole.
7. Various installation modes to satisfy multiple outdoor project requirements, such as multidirectional base mounting, multidirectional tree ring mounting and multidirectional ground spike mounting.
8. Support DMX512, 1-10V, DALI, TRIAC or PWM dimming control, which runs smoothly and softly.

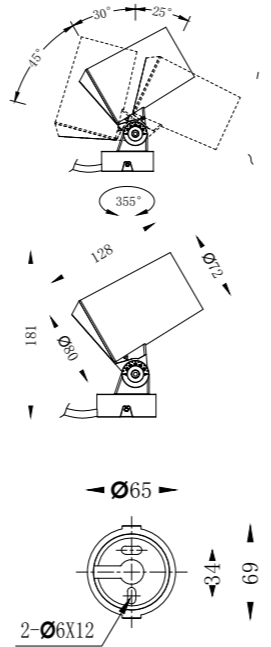
### Product specifications

Item No.	WB3060R1*a-A3-M/WB3060R1*a-A3-B	Item No.	WB3060R1*a-B3-M/WB3060R1*a-B3-B
LED source	CREE	LED source	CREE
Beam angle	10°/20°/30°/40°/60°	Beam angle	24°/36°/60°
LED color	2200K/2700K/3000K/4000K/6000K	LED color	2700K/3000K/4000K/6000K
Power	3*3W	Power	1*8W
Input voltage	DC12V/DC24V H05RN-F-2*1.0mm² AC100~240V H05RN-F-3*0.75mm²	Input voltage	DC12V/DC24V H05RN-F-2*1.0mm² AC100~240V H05RN-F-3*0.75mm²
Operating temperature	-20℃~40℃	Operating temperature	-20℃~40℃
IK rate	05	IK rate	05
Luminance(lm)	Warm white=1m	Luminance(lm)	Warm white=491lm
Dimmable support	Triac/PWM/0-10V/DALI/DMX512	Dimmable support	Triac/PWM/0-10V/DALI/DMX512

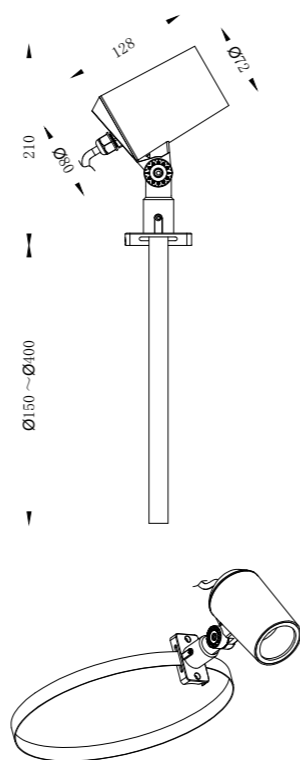


# LED景观投光灯

## LED Landscape Spot Light



WB3080R1\* $\alpha$ -A3-M



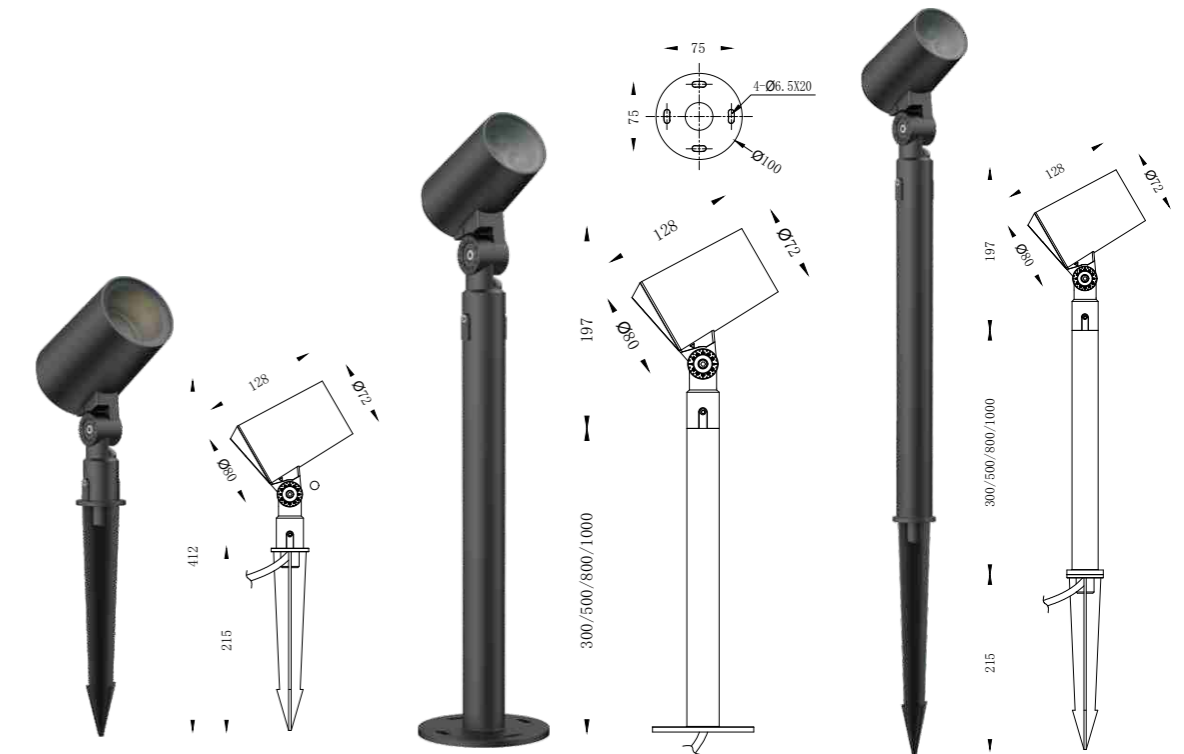
### 产品简介Product Introduction

1. 拥有自主知识产权外观设计, 优雅时尚美观, 极具工业设计感, 采用一体式散热设计, 保证灯具长时间的使用寿命。
2. 玻璃采用4MM超白高强度钢化玻璃, 保证灯具光输出的超高效率 (90-95%) 和色温的准确性以及极强的抗冲击耐磨擦能力。
3. 环保ACD12#高强度压铸铝, 表面高端老虎粉体烤漆喷涂处理, 盐雾测试可达1000小时以上, 以确保海边等高温高酸碱环境的使用。
4. LED采用国际一线品牌美国CREE, 超高亮度输出, 光色一致性好, 显色指数大于80以上 (可选90以上)。
5. 驱动模块也均采用国际一线品牌元器件, 保证灯具稳定与故障的低概率。
6. 配件: 地插件-高强度ABS, 加长杆-6063铝 (表面老虎粉体烤漆喷涂)。
7. 可选择多向旋转底座、多向旋转抱树、多向旋转抱杆、多向旋转插地安装, 满足多种户外工程的应用。
8. 灯具支持DMX512, 1-10V, DALI, TRIAC, PWM调光控制, 调光顺滑柔和。

1. Independent intellectual property design reveals senses of elegance, fashion, art, especially bring strong sense of industrial style. Integrated thermal design guarantees long working time.
2. Ultra clear and highly strengthen 4mm tempered glass cover, ensure high luminous efficacy (90-95%), outstanding accuracy of color temperature, and excellent impact resistance and rub resistance.
3. Environmental friendly highly strengthen ADC 12# die-casting aluminum housing with Tiger powder coated spraying process, could reach over 1000 hours in salt spray test and ensure the usage in high humid, high acid, and high alkaline environments like seaside.
4. Apply international top brand CREE LED to achieve high lumen output, great photochromic consistency and CRI>80Ra (>90Ra is available)
5. Use international top brand component driving module to guarantee the luminous stability and low breakdown probability.
6. Various accessories are optional, including high-impact ABS ground spike and 6063 power coated aluminum pole.
7. Various installation modes to satisfy multiple outdoor project requirements, such as multidirectional base mounting, multidirectional tree ring mounting and multidirectional ground spike mounting.
8. Support DMX512, 1-10V, DALI, TRIAC or PWM dimming control, which runs smoothly and softly.

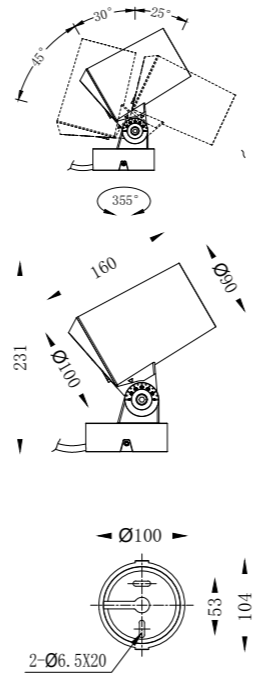
### Product specifications

Item No.	WB3080R1* $\alpha$ -A3-M/WB3080R1* $\alpha$ -A3-B	Item No.	WB3080R1* $\alpha$ -B3-M/WB3080R1* $\alpha$ -B3-B
LED source	CREE XPG	LED source	CREE
Beam angle	10°/20°/30°/40°/60°	Beam angle	24°/36°/60°
LED color	2200K/2700K/3000K/4000K/5000K/6000K	LED color	2700K/3000K/4000K/5000K/6000K
Power	4*3W	Power	1*15W
Input voltage	DC12V/DC24V H05RN-F-2*1.0mm <sup>2</sup> AC100~240V H05RN-F-3*0.75mm <sup>2</sup>	Input voltage	DC12V/DC24V H05RN-F-2*1.0mm <sup>2</sup> AC100~240V H05RN-F-3*0.75mm <sup>2</sup>
Operating temperature	-20℃~40℃	Operating temperature	-20℃~40℃
IK rate	05	IK rate	05
Luminance(lm)	Warm white= m	Luminance(lm)	Warm white=1056lm
Dimmable support	Triac/PWM/0-10V/DALI/DMX512	Dimmable support	Triac/PWM/0-10V/DALI/DMX512

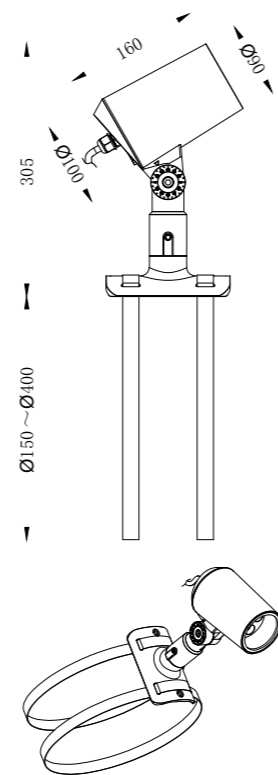


# LED景观投光灯

## LED Landscape Spot Light



WB3100R1\*a-A3-M



## 产品简介Product Introduction

1. 拥有自主知识产权外观设计, 优雅时尚美观, 极具工业设计感, 采用一体式散热设计, 保证灯具长时间的使用寿命。
2. 玻璃采用4MM超白高强度钢化玻璃, 保证灯具光输出的超高效率 (90-95%) 和色温的准确性以及极强的抗冲击耐摩擦能力。
3. 环保ACD12#高强度压铸铝, 表面高端老虎粉体烤漆喷涂处理, 盐雾测试可达1000小时以上, 以确保海边等高温高酸碱环境的使用。
4. LED采用国际一线品牌美国CREE, 超高亮度输出, 光色一致性好, 显色指数大于80以上 (可选90以上)。
5. 驱动模块也均采用国际一线品牌元器件, 保证灯具稳定与故障的低概率。
6. 配件: 地插件-高强度ABS, 加长杆-6063铝 (表面老虎粉体烤漆喷涂)。
7. 可选择多向旋转底座、多向旋转抱树、多向旋转抱杆、多向旋转插地安装, 满足多种户外工程的应用。
8. 灯具支持DMX512, 1-10V, DALI, TRIAC, PWM调光控制, 调光顺滑柔和。

1. Independent intellectual property design reveals senses of elegance, fashion, art, especially bring strong sense of industrial style. Integrated thermal design guarantees long working time.
2. Ultra clear and highly strengthen 4mm tempered glass cover, ensure high luminous efficacy (90-95%), outstanding accuracy of color temperature, and excellent impact resistance and rub resistance.
3. Environmental friendly highly strengthen ADC 12# die-casting aluminum housing with Tiger powder coated spraying process, could reach over 1000 hours in salt spray test and ensure the usage in high humid, high acid, and high alkaline environments like seaside.
4. Apply international top brand CREE LED to achieve high lumen output, great photochromic consistency and CRI>80Ra (>90Ra is available)
5. Use international top brand component driving module to guarantee the luminous stability and low breakdown probability.
6. Various accessories are optional, including high-impact ABS ground spike and 6063 power coated aluminum pole.
7. Various installation modes to satisfy multiple outdoor project requirements, such as multidirectional base mounting, multidirectional tree ring mounting and multidirectional ground spike mounting.
8. Support DMX512, 1-10V, DALI, TRIAC or PWM dimming control, which runs smoothly and softly.

## Product specifications

Item No.	WB3100R1*a-A3-M/WB3100R1*a-A3-B	Item No.	WB3100R1*a-B3-M/WB3100R1*a-B3-B
LED source	CREE XPG	LED source	CREE
Beam angle	10°/20°/30°/40°/60°	Beam angle	24°/36°/60°
LED color	2200K/2700K/3000K/4000K/5000K/6000K	LED color	2700K/3000K/4000K/5000K/6000K
Power	6*4W	Power	1*25W
Input voltage	DC12V/DC24V H05RN-F-2*1.0mm <sup>2</sup> AC100~240V H05RN-F-3*0.75mm <sup>2</sup>	Input voltage	DC12V/DC24V H05RN-F-2*1.0mm <sup>2</sup> AC100~240V H05RN-F-3*0.75mm <sup>2</sup>
Operating temperature	-20℃~40℃	Operating temperature	-20℃~40℃
IK rate	05	IK rate	05
Luminance(lm)	Warm white= lm	Luminance(lm)	Warm white=1902lm
Dimmable support	Triac/PWM/0-10V/DALI/DMX512	Dimmable support	Triac/PWM/0-10V/DALI/DMX512

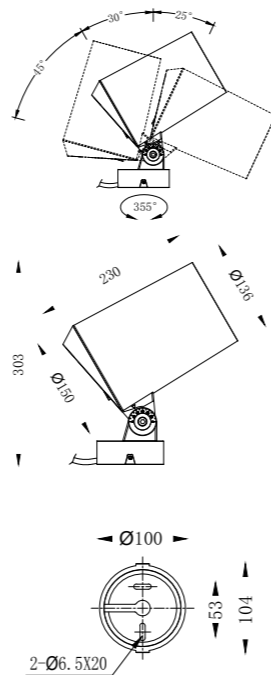


# LED景观投光灯

## LED Landscape Spot Light



WB3150R1\*a-A3-M



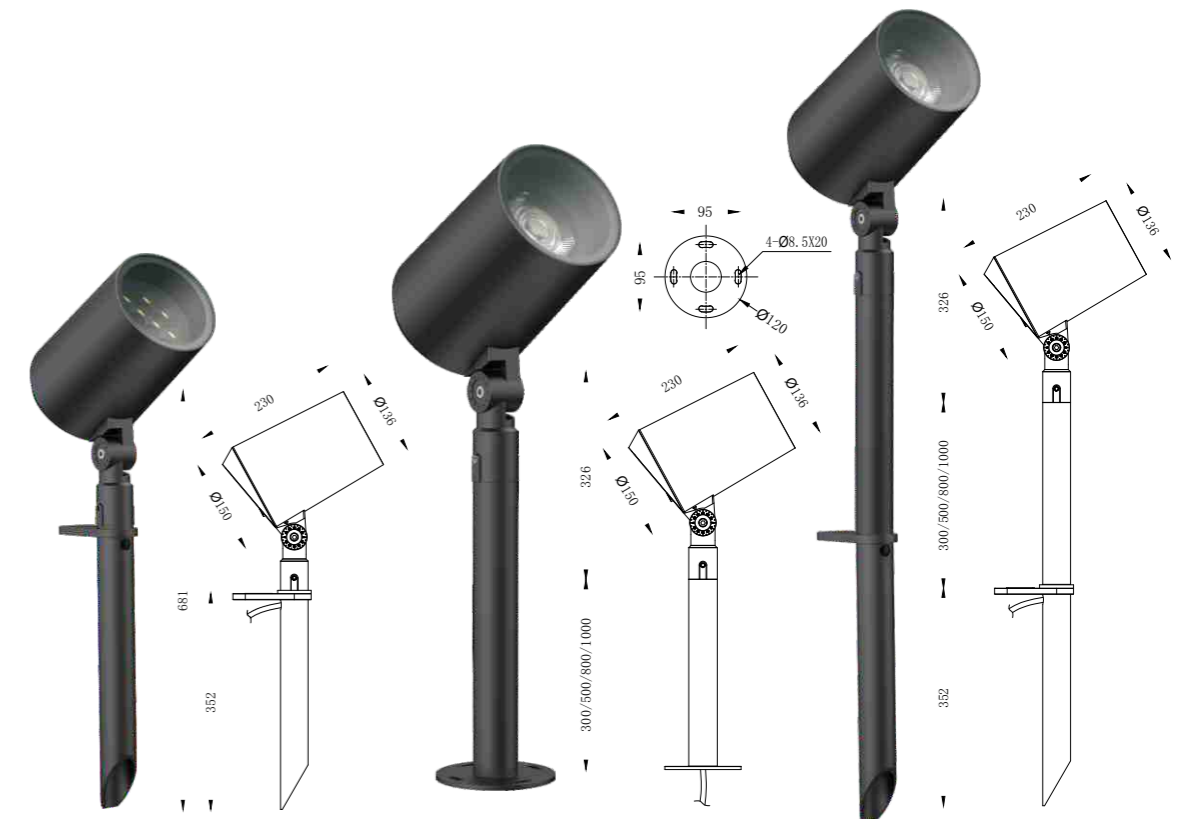
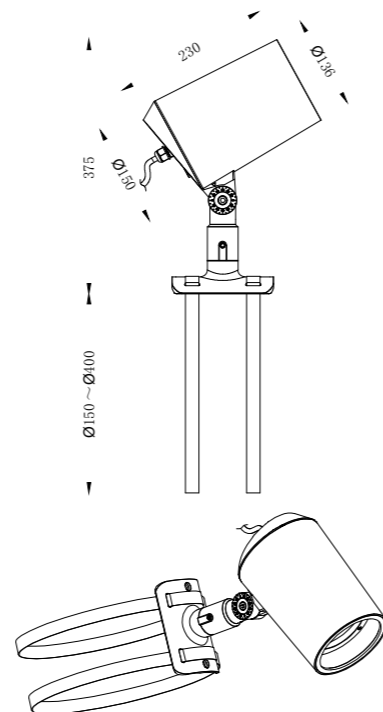
## 产品简介Product Introduction

1. 拥有自主知识产权外观设计, 优雅时尚美观, 极具工业设计感, 采用一体式散热设计, 保证灯具长时间的使用寿命。
2. 玻璃采用4MM超白高强度钢化玻璃, 保证灯具光输出的超高效率 (90-95%) 和色温的准确性以及极强的抗冲击耐摩擦能力。
3. 环保ACD12#高强度压铸铝, 表面高端老虎粉体烤漆喷涂处理, 盐雾测试可达1000小时以上, 以确保海边等高湿高酸碱环境的使用。
4. LED采用国际一线品牌美国CREE, 超高亮度输出, 光色一致性好, 显色指数大于80以上 (可选90以上)。
5. 驱动模块也均采用国际一线品牌元器件, 保证灯具稳定与故障的低概率。
6. 配件: 地插件-高强度ABS, 加长杆-6063铝 (表面老虎粉体烤漆喷涂)。
7. 可选择多向旋转底座、多向旋转抱树、多向旋转抱杆、多向旋转插地安装, 满足多种户外工程的应用。
8. 灯具支持DMX512, 1-10V, DALI, TRIAC, PWM调光控制, 调光顺滑柔和。

1. Independent intellectual property design reveals senses of elegance, fashion, art, especially bring strong sense of industrial style. Integrated thermal design guarantees long working time.
2. Ultra clear and highly strengthen 4mm tempered glass cover, ensure high luminous efficacy (90-95%), outstanding accuracy of color temperature, and excellent impact resistance and rub resistance.
3. Environmental friendly highly strengthen ADC 12# die-casting aluminum housing with Tiger powder coated spraying process, could reach over 1000 hours in salt spray test and ensure the usage in high humid, high acid, and high alkaline environments like seaside.
4. Apply international top brand CREE LED to achieve high lumen output, great photochromic consistency and CRI>80Ra (>90Ra is available)
5. Use international top brand component driving module to guarantee the luminous stability and low breakdown probability.
6. Various accessories are optional, including high-impact ABS ground spike and 6063 power coated aluminum pole.
7. Various installation modes to satisfy multiple outdoor project requirements, such as multidirectional base mounting, multidirectional tree ring mounting and multidirectional ground spike mounting.
8. Support DMX512, 1-10V, DALI, TRIAC or PWM dimming control, which runs smoothly and softly.

## Product specifications

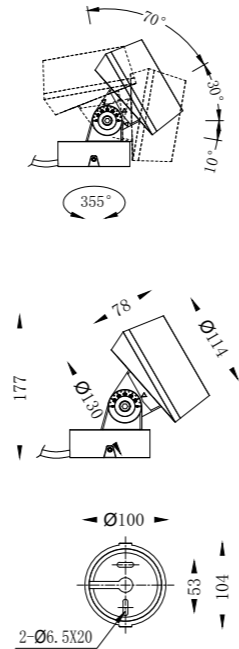
Item No.	WB3150R1*a-A3-M/WB3150R1*a-A3-B	Item No.	WB3150R1*a-B3-M/WB3150R1*a-B3-B
LED source	CREE XPG	LED source	CREE
Beam angle	10°/20°/30°/40°/60°	Beam angle	24°/36°/60°
LED color	2200K/2700K/3000K/4000K/5000K/6000K	LED color	2700K/3000K/4000K/5000K/6000K
Power	12*4W	Power	1*50W
Input voltage	DC12V/DC24V H05RN-F-2*1.0mm <sup>2</sup> AC100~240V H05RN-F-3*0.75mm <sup>2</sup>	Input voltage	DC12V/DC24V H05RN-F-2*1.0mm <sup>2</sup> AC100~240V H05RN-F-3*0.75mm <sup>2</sup>
Operating temperature	-20℃~40℃	Operating temperature	-20℃~40℃
IK rate	05	IK rate	05
Luminance(lm)	Warm white=1m	Luminance(lm)	Warm white=4055lm
Dimmable support	Triac/PWM/0-10V/DALI/DMX512	Dimmable support	Triac/PWM/0-10V/DALI/DMX512



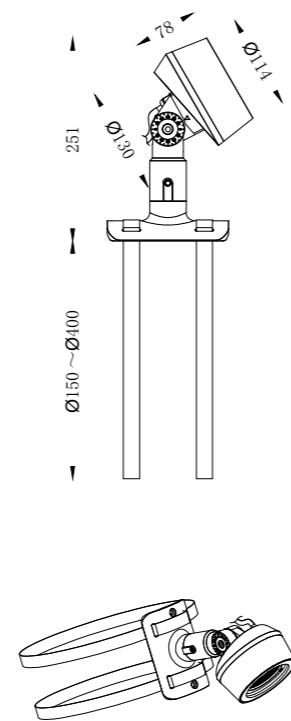


# LED景观投光灯

## LED Landscape Spot Light



WB3130R1\*a-A3-M



## 产品简介Product Introduction

1. 拥有自主知识产权外观设计, 优雅时尚美观, 极具工业设计感, 采用一体式散热设计, 保证灯具长时间的使用寿命。
2. 玻璃采用4MM超白高强度钢化玻璃, 保证灯具光输出的超高效率 (90-95%) 和色温的准确性以及极强的抗冲击耐摩擦能力。
3. 环保ACD12#高强度压铸铝, 表面高端老虎粉体烤漆喷涂处理, 盐雾测试可达1000小时以上, 以确保海边等高温高酸碱环境的使用。
4. LED采用国际一线品牌美国CREE, 超高亮度输出, 光色一致性好, 显色指数大于80以上 (可选90以上)。
5. 驱动模块也均采用国际一线品牌元器件, 保证灯具稳定与故障的低概率。
6. 配件: 地插件-高强度ABS, 加长杆-6063铝 (表面老虎粉体烤漆喷涂)。
7. 可选择多向旋转底座、多向旋转抱树、多向旋转抱杆、多向旋转插地安装, 满足多种户外工程的应用。
8. 灯具支持DMX512, 1-10V, DALI, TRIAC, PWM调光控制, 调光顺滑柔和。

1. Independent intellectual property design reveals senses of elegance, fashion, art, especially bring strong sense of industrial style. Integrated thermal design guarantees long working time.
2. Ultra clear and highly strengthen 4mm tempered glass cover, ensure high luminous efficacy (90-95%), outstanding accuracy of color temperature, and excellent impact resistance and rub resistance.
3. Environmental friendly highly strengthen ADC 12# die-casting aluminum housing with Tiger powder coated spraying process, could reach over 1000 hours in salt spray test and ensure the usage in high humid, high acid, and high alkaline environments like seaside.
4. Apply international top brand CREE LED to achieve high lumen output, great photochromic consistency and CRI>80Ra (>90Ra is available)
5. Use international top brand component driving module to guarantee the luminous stability and low breakdown probability.
6. Various accessories are optional, including high-impact ABS ground spike and 6063 power coated aluminum pole.
7. Various installation modes to satisfy multiple outdoor project requirements, such as multidirectional base mounting, multidirectional tree ring mounting and multidirectional ground spike mounting.
8. Support DMX512, 1-10V, DALI, TRIAC or PWM dimming control, which runs smoothly and softly.

## Product specifications

Item No.	WB3130R1*a-A3-M/WB3130R1*a-A3-B	Item No.	WB3130R1*a-B3-M/WB3130R1*a-B3-B
LED source	CREE XPG	LED source	CREE
Beam angle	10°/20°/30°/40°/60°	Beam angle	24°/36°/60°
LED color	2200K/2700K/3000K/4000K/5000K/6000K	LED color	2700K/3000K/4000K/5000K/6000K
Power	6*3W	Power	1*18W
Input voltage	DC12V/DC24V H05RN-F-2*1.0mm <sup>2</sup> AC100~240V H05RN-F-3*0.75mm <sup>2</sup>	Input voltage	DC12V/DC24V H05RN-F-2*1.0mm <sup>2</sup> AC100~240V H05RN-F-3*0.75mm <sup>2</sup>
Operating temperature	-20℃~40℃	Operating temperature	-20℃~40℃
IK rate	05	IK rate	05
Luminance(lm)	Warm white=lm	Luminance(lm)	Warm white=lm
Dimmable support	Triac/PWM/0-10V/DALI/DMX512	Dimmable support	Triac/PWM/0-10V/DALI/DMX512

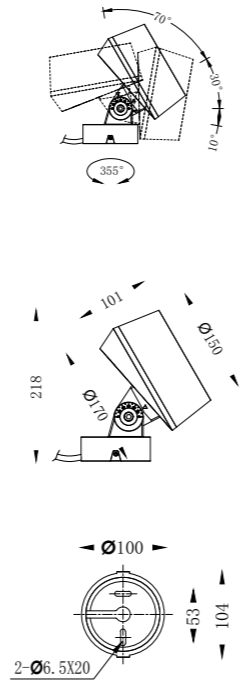


# LED景观投光灯

## LED Landscape Spot Light



WB3170R1\*α-A3-M



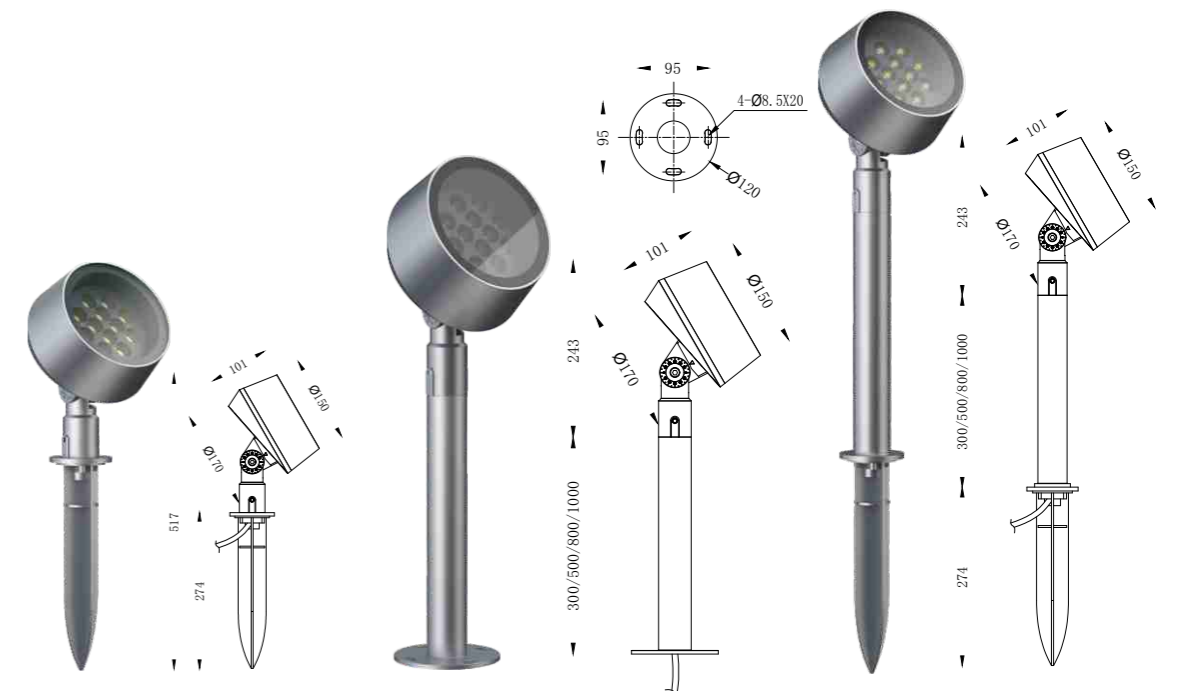
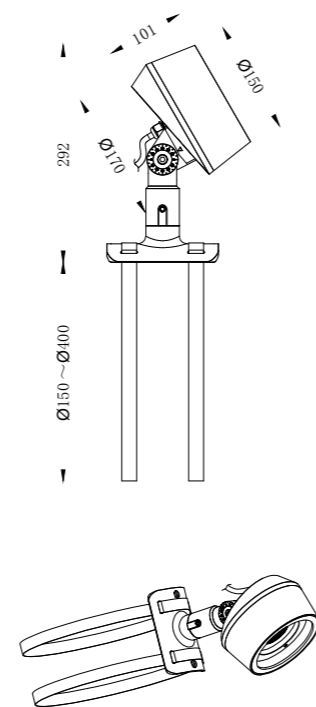
### 产品简介Product Introduction

1. 拥有自主知识产权外观设计, 优雅时尚美观, 极具工业设计感, 采用一体式散热设计, 保证灯具长时间的使用寿命。
2. 玻璃采用4MM超白高强度钢化玻璃, 保证灯具光输出的超高效率 (90-95%) 和色温的准确性以及极强的抗冲击耐摩擦能力。
3. 环保ACD12#高强度压铸铝, 表面高端老虎粉体烤漆喷涂处理, 盐雾测试可达1000小时以上, 以确保海边等高温高酸碱环境的使用。
4. LED采用国际一线品牌美国CREE, 超高亮度输出, 光色一致性好, 显色指数大于80以上 (可选90以上)。
5. 驱动模块也均采用国际一线品牌元器件, 保证灯具稳定与故障的低概率。
6. 配件: 地插件-高强度ABS, 加长杆-6063铝 (表面老虎粉体烤漆喷涂)。
7. 可选择多向旋转底座、多向旋转抱树、多向旋转抱杆、多向旋转插地安装, 满足多种户外工程的应用。
8. 灯具支持DMX512, 1-10V, DALI, TRIAC, PWM调光控制, 调光顺滑柔和。

1. Independent intellectual property design reveals senses of elegance, fashion, art, especially bring strong sense of industrial style. Integrated thermal design guarantees long working time.
2. Ultra clear and highly strengthen 4mm tempered glass cover, ensure high luminous efficacy (90-95%), outstanding accuracy of color temperature, and excellent impact resistance and rub resistance.
3. Environmental friendly highly strengthen ADC 12# die-casting aluminum housing with Tiger powder coated spraying process, could reach over 1000 hours in salt spray test and ensure the usage in high humid, high acid, and high alkaline environments like seaside.
4. Apply international top brand CREE LED to achieve high lumen output, great photochromic consistency and CRI>80Ra (>90Ra is available)
5. Use international top brand component driving module to guarantee the luminous stability and low breakdown probability.
6. Various accessories are optional, including high-impact ABS ground spike and 6063 power coated aluminum pole.
7. Various installation modes to satisfy multiple outdoor project requirements, such as multidirectional base mounting, multidirectional tree ring mounting and multidirectional ground spike mounting.
8. Support DMX512, 1-10V, DALI, TRIAC or PWM dimming control, which runs smoothly and softly.

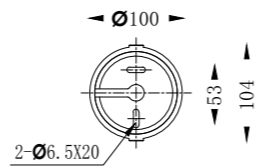
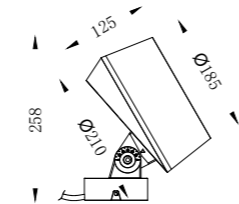
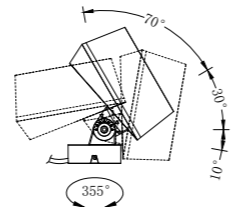
### Product specifications

Item No.	WB3170R1*α-A3-M/WB3170R1*α-A3-B	Item No.	WB3170R1*α-B3-M/WB3170R1*α-B3-B
LED source	CREE XPG	LED source	CREE
Beam angle	10°/20°/30°/40°/60°	Beam angle	24°/36°/60°
LED color	2200K/2700K/3000K/4000K/5000K/6000K	LED color	2700K/3000K/4000K/5000K/6000K
Power	12*3W	Power	1*30W
Input voltage	DC12V/DC24V H05RN-F-2*1.0mm² AC100~240V H05RN-F-3*0.75mm²	Input voltage	DC12V/DC24V H05RN-F-2*1.0mm² AC100~240V H05RN-F-3*0.75mm²
Operating temperature	-20℃~40℃	Operating temperature	-20℃~40℃
IK rate	05	IK rate	05
Luminance(lm)	Warm white=lm	Luminance(lm)	Warm white=lm
Dimmable support	Triac/PWM/0-10V/DALI/DMX512	Dimmable support	Triac/PWM/0-10V/DALI/DMX512

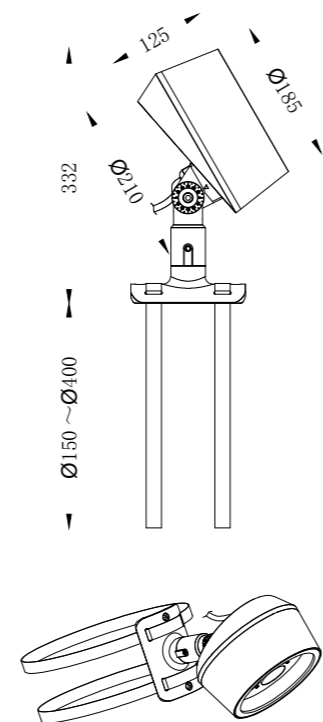


# LED景观投光灯

## LED Landscape Spot Light



WB3210R1\*a-A3-M



## 产品简介Product Introduction

1. 拥有自主知识产权外观设计, 优雅时尚美观, 极具工业设计感, 采用一体式散热设计, 保证灯具长时间的使用寿命。
2. 玻璃采用4MM超白高强度钢化玻璃, 保证灯具光输出的超高效率 (90-95%) 和色温的准确性以及极强的抗冲击耐摩擦能力。
3. 环保ACD12#高强度压铸铝, 表面高端老虎粉体烤漆喷涂处理, 盐雾测试可达1000小时以上, 以确保海边等高温高酸碱环境的使用。
4. LED采用国际一线品牌美国CREE, 超高亮度输出, 光色一致性好, 显色指数大于80以上 (可选90以上)。
5. 驱动模块也均采用国际一线品牌元器件, 保证灯具稳定与故障的低概率。
6. 配件: 地插件-高强度ABS, 加长杆-6063铝 (表面老虎粉体烤漆喷涂)。
7. 可选择多向旋转底座、多向旋转抱树、多向旋转抱杆、多向旋转插地安装, 满足多种户外工程的应用。
8. 灯具支持DMX512, 1-10V, DALI, TRIAC, PWM调光控制, 调光顺滑柔和。

1. Independent intellectual property design reveals senses of elegance, fashion, art, especially bring strong sense of industrial style. Integrated thermal design guarantees long working time.
2. Ultra clear and highly strengthen 4mm tempered glass cover, ensure high luminous efficacy (90-95%), outstanding accuracy of color temperature, and excellent impact resistance and rub resistance.
3. Environmental friendly highly strengthen ADC 12# die-casting aluminum housing with Tiger powder coated spraying process, could reach over 1000 hours in salt spray test and ensure the usage in high humid, high acid, and high alkaline environments like seaside.
4. Apply international top brand CREE LED to achieve high lumen output, great photochromic consistency and CRI>80Ra (>90Ra is available)
5. Use international top brand component driving module to guarantee the luminous stability and low breakdown probability.
6. Various accessories are optional, including high-impact ABS ground spike and 6063 power coated aluminum pole.
7. Various installation modes to satisfy multiple outdoor project requirements, such as multidirectional base mounting, multidirectional tree ring mounting and multidirectional ground spike mounting.
8. Support DMX512, 1-10V, DALI, TRIAC or PWM dimming control, which runs smoothly and softly.

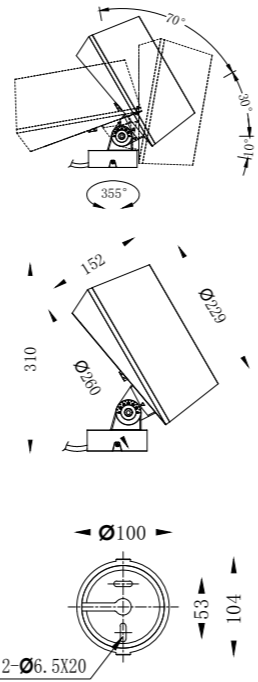
## Product specifications

Item No.	WB3210R1*a-A3-M/WB3210R1*a-A3-B	Item No.	WB3210R1*a-B3-M/WB3210R1*a-B3-B
LED source	CREE XPG	LED source	CREE
Beam angle	10°/20°/30°/40°/60°	Beam angle	24°/36°/60°
LED color	2200K/2700K/3000K/4000K/5000K/6000K	LED color	2700K/3000K/4000K/5000K/6000K
Power	24*2W	Power	4*10W
Input voltage	DC12V/DC24V H05RN-F-2*1.0mm <sup>2</sup> AC100-240V H05RN-F-3*0.75mm <sup>2</sup>	Input voltage	DC12V/DC24V H05RN-F-2*1.0mm <sup>2</sup> AC100-240V H05RN-F-3*0.75mm <sup>2</sup>
Operating temperature	-20°C~40°C	Operating temperature	-20°C~40°C
IK rate	05	IK rate	05
Luminance(lm)	Warm white=lm	Luminance(lm)	Warm white=lm
Dimmable support	Triac/PWM/0-10V/DALI/DMX512	Dimmable support	Triac/PWM/0-10V/DALI/DMX512

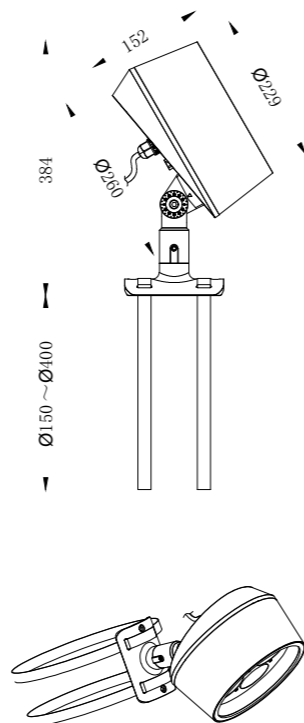


# LED景观投光灯

## LED Landscape Spot Light



WB3260R1\*α-A3-M



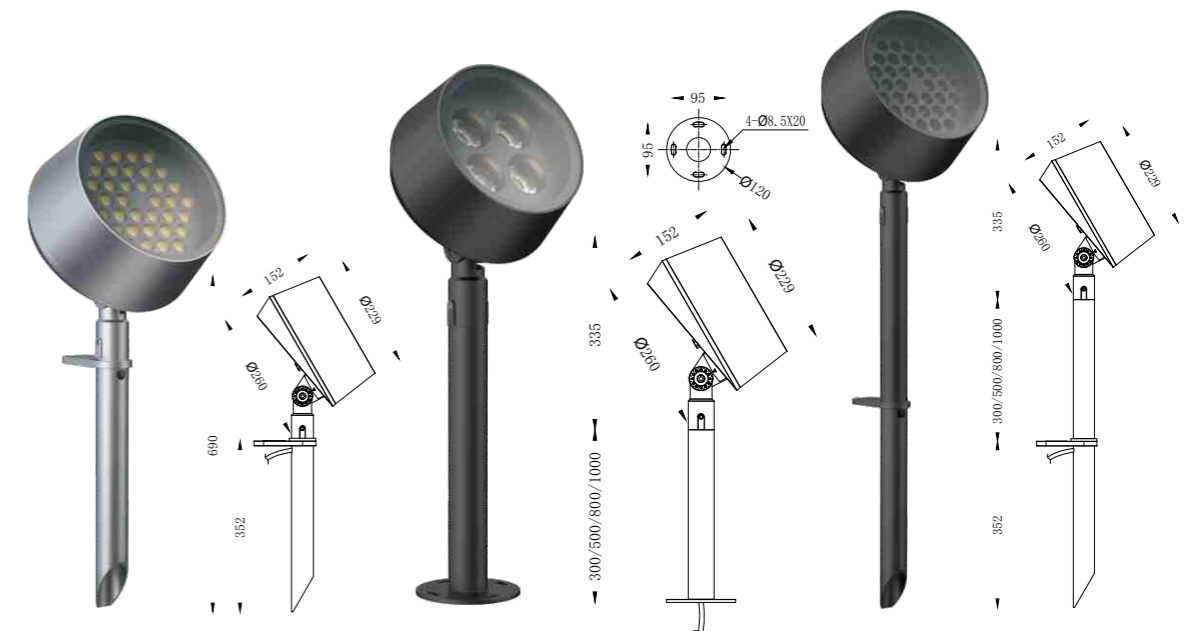
## 产品简介Product Introduction

1. 拥有自主知识产权外观设计, 优雅时尚美观, 极具工业设计感, 采用一体式散热设计, 保证灯具长时间的使用寿命。
2. 玻璃采用4MM超白高强度钢化玻璃, 保证灯具光输出的超高效率 (90-95%) 和色温的准确性以及极强的抗冲击耐摩擦能力。
3. 环保ACD12#高强度压铸铝, 表面高端老虎粉体烤漆喷涂处理, 盐雾测试可达1000小时以上, 以确保海边等高温高酸碱环境的使用。
4. LED采用国际一线品牌美国CREE, 超高亮度输出, 光色一致性好, 显色指数大于80以上 (可选90以上)。
5. 驱动模块也均采用国际一线品牌元器件, 保证灯具稳定与故障的低概率。
6. 配件: 地插件-高强度ABS, 加长杆-6063铝 (表面老虎粉体烤漆喷涂)。
7. 可选择多向旋转底座、多向旋转抱树、多向旋转抱杆、多向旋转插地安装, 满足多种户外工程的应用。
8. 灯具支持DMX512, 1-10V, DALI, TRIAC, PWM调光控制, 调光顺滑柔和。

1. Independent intellectual property design reveals senses of elegance, fashion, art, especially bring strong sense of industrial style. Integrated thermal design guarantees long working time.
2. Ultra clear and highly strengthen 4mm tempered glass cover, ensure high luminous efficacy (90-95%), outstanding accuracy of color temperature, and excellent impact resistance and rub resistance.
3. Environmental friendly highly strengthen ADC 12# die-casting aluminum housing with Tiger powder coated spraying process, could reach over 1000 hours in salt spray test and ensure the usage in high humid, high acid, and high alkaline environments like seaside.
4. Apply international top brand CREE LED to achieve high lumen output, great photochromic consistency and CRI>80Ra (>90Ra is available)
5. Use international top brand component driving module to guarantee the luminous stability and low breakdown probability.
6. Various accessories are optional, including high-impact ABS ground spike and 6063 power coated aluminum pole.
7. Various installation modes to satisfy multiple outdoor project requirements, such as multidirectional base mounting, multidirectional tree ring mounting and multidirectional ground spike mounting.
8. Support DMX512, 1-10V, DALI, TRIAC or PWM dimming control, which runs smoothly and softly.

## Product specifications

Item No.	WB3260R1*α-A3-M/WB3260R1*α-A3-B	Item No.	WB3260R1*α-B3-M/WB3260R1*α-B3-B
LED source	CREE XPG	LED source	CREE
Beam angle	10°/20°/30°/40°/60°	Beam angle	24°/36°/60°
LED color	2200K/2700K/3000K/4000K/5000K/6000K	LED color	2700K/3000K/4000K/5000K/6000K
Power	36*2W	Power	4*15W
Input voltage	DC12V/DC24V H05RN-F-2*1.0mm <sup>2</sup> AC100~240V H05RN-F-3*0.75mm <sup>2</sup>	Input voltage	DC12V/DC24V H05RN-F-2*1.0mm <sup>2</sup> AC100~240V H05RN-F-3*0.75mm <sup>2</sup>
Operating temperature	-20℃~40℃	Operating temperature	-20℃~40℃
IK rate		IK rate	09
Luminance(lm)	Warm white=lm	Luminance(lm)	Warm white=lm
Dimmable support	Triac/PWM/0-10V/DALI/DMX512	Dimmable support	Triac/PWM/0-10V/DALI/DMX512



# LED 方形景观投光灯系列

## Square Type LED Landscape Spotlight Series



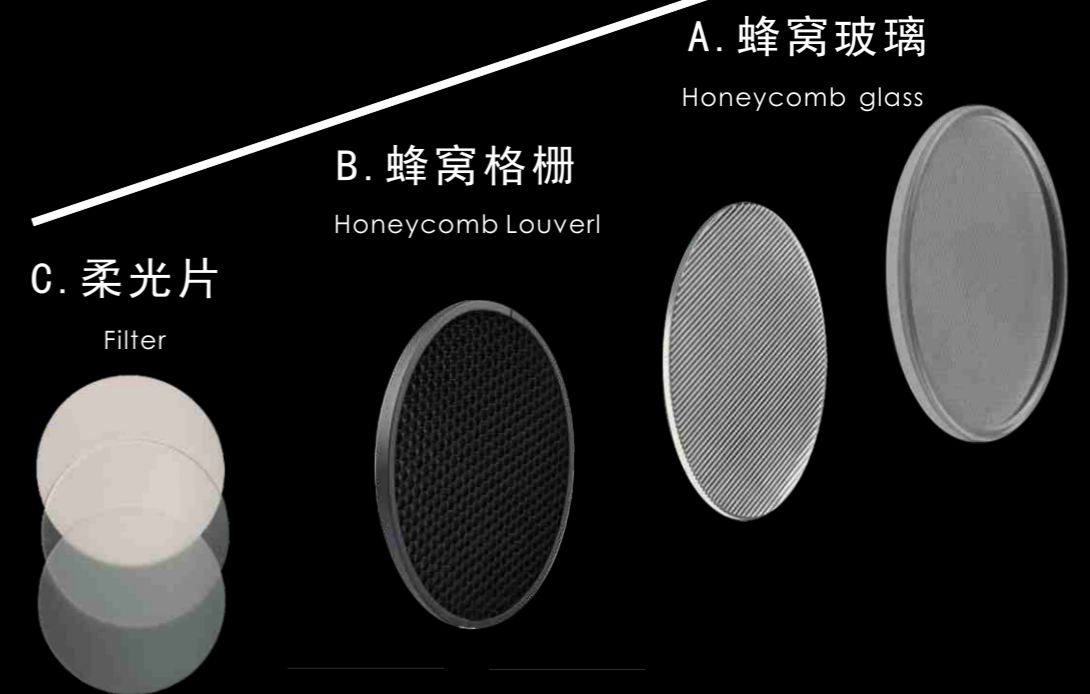
### 控光配件

#### Optical Controlling Accessories



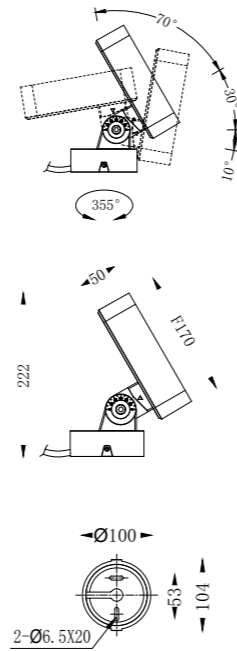
### 控光配件

#### Optical Controlling Accessories

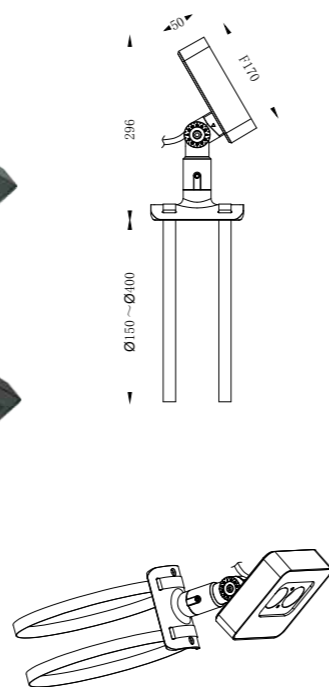


# LED方形景观投光灯

## LED Square Landscape Spot Light



WB3170S1\*a-A3-M



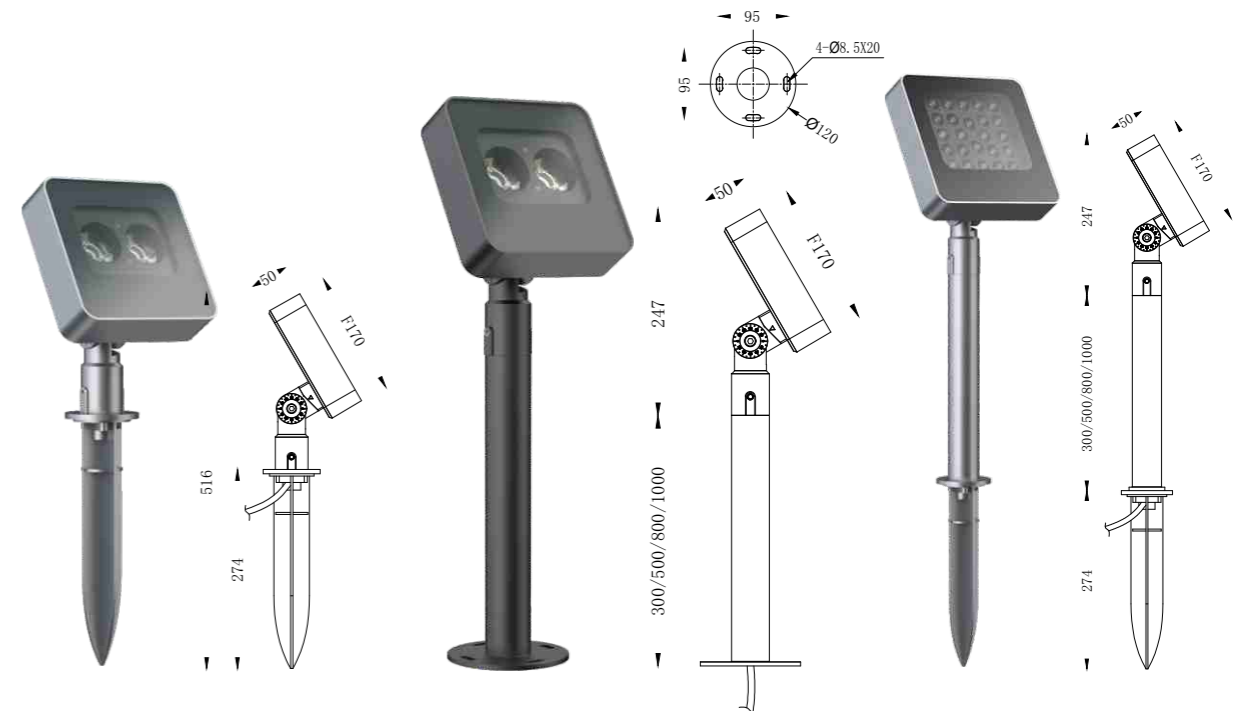
### 产品简介Product Introduction

1. 拥有自主知识产权外观设计, 优雅时尚美观, 极具工业设计感, 采用一体式散热设计, 保证灯具长时间的使用寿命。
2. 玻璃采用4MM超白高强度钢化玻璃, 保证灯具光输出的超高效率 (90-95%) 和色温的准确性以及极强的抗冲击耐摩擦能力。
3. 环保ACD12#高强度压铸铝, 表面高端老虎粉体烤漆喷涂处理, 盐雾测试可达1000小时以上, 以确保海边等高温高酸碱环境的使用。
4. LED采用国际一线品牌美国CREE, 超高亮度输出, 光色一致性好, 显色指数大于80以上 (可选90以上)。
5. 驱动模块也均采用国际一线品牌元器件, 保证灯具稳定与故障的低概率。
6. 配件: 地插件-高强度ABS, 加长杆-6063铝 (表面老虎粉体烤漆喷涂)。
7. 可选择多向旋转底座、多向旋转抱树、多向旋转抱杆、多向旋转插地安装, 满足多种户外工程的应用。
8. 灯具支持DMX512, 1-10V, DALI, TRIAC, PWM调光控制, 调光顺滑柔和。

1. Independent intellectual property design reveals senses of elegance, fashion, art, especially bring strong sense of industrial style. Integrated thermal design guarantees long working time.
2. Ultra clear and highly strengthen 4mm tempered glass cover, ensure high luminous efficacy (90-95%), outstanding accuracy of color temperature, and excellent impact resistance and rub resistance.
3. Environmental friendly highly strengthen ADC 12# die-casting aluminum housing with Tiger powder coated spraying process, could reach over 1000 hours in salt spray test and ensure the usage in high humid, high acid, and high alkaline environments like seaside.
4. Apply international top brand CREE LED to achieve high lumen output, great photochromic consistency and CRI>80Ra (>90Ra is available)
5. Use international top brand component driving module to guarantee the luminous stability and low breakdown probability.
6. Various accessories are optional, including high-impact ABS ground spike and 6063 power coated aluminum pole.
7. Various installation modes to satisfy multiple outdoor project requirements, such as multidirectional base mounting, multidirectional tree ring mounting and multidirectional ground spike mounting.
8. Support DMX512, 1-10V, DALI, TRIAC or PWM dimming control, which runs smoothly and softly.

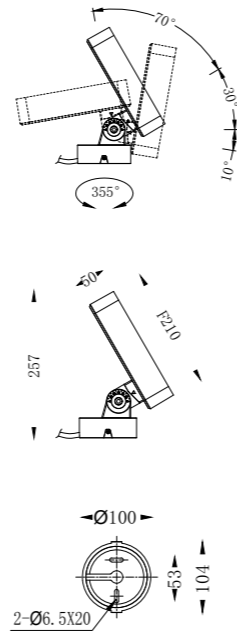
### Product specifications

Item No.	WB3170S1*a-A3-M/WB3170S1*a-A3-B	Item No.	WB3170S1*a-B3-M/WB3170S1*a-B3-B
LED source	CREE XPG	LED source	CREE
Beam angle	10°/20°/30°/40°/60°	Beam angle	24°/36°/60°
LED color	2200K/2700K/3000K/4000K/5000K/6000K	LED color	2700K/3000K/4000K/5000K/6000K
Power	12*2W	Power	2*12W
Input voltage	DC12V/DC24V H05RN-F-2*1.0mm² AC100~240V H05RN-F-3*0.75mm²	Input voltage	DC12V/DC24V H05RN-F-2*1.0mm² AC100~240V H05RN-F-3*0.75mm²
Operating temperature	-20℃~40℃	Operating temperature	-20℃~40℃
IK rate	05	IK rate	05
Luminance(lm)	Warm white=lm	Luminance(lm)	Warm white=lm
Dimmable support	Triac/PWM/0-10V/DALI/DMX512	Dimmable support	Triac/PWM/0-10V/DALI/DMX512

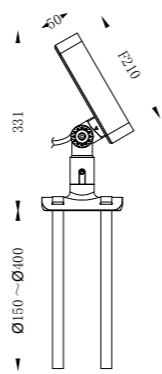


# LED方形景观投光灯

## LED Square Landscape Spot Light



WB3210S1\*a-A3-M



## 产品简介Product Introduction

1. 拥有自主知识产权外观设计, 优雅时尚美观, 极具工业设计感, 采用一体式散热设计, 保证灯具长时间的使用寿命。
2. 玻璃采用4MM超白高强度钢化玻璃, 保证灯具光输出的超高效率 (90-95%) 和色温的准确性以及极强的抗冲击耐摩擦能力。
3. 环保ACD12#高强度压铸铝, 表面高端老虎粉体烤漆喷涂处理, 盐雾测试可达1000小时以上, 以确保海边等高温高酸碱环境的使用。
4. LED采用国际一线品牌美国CREE, 超高亮度输出, 光色一致性好, 显色指数大于80以上 (可选90以上)。
5. 驱动模块也均采用国际一线品牌元器件, 保证灯具稳定与故障的低概率。
6. 配件: 地插件-高强度ABS, 加长杆-6063铝 (表面老虎粉体烤漆喷涂)。
7. 可选择多向旋转底座、多向旋转抱树、多向旋转抱杆、多向旋转插地安装, 满足多种户外工程的应用。
8. 灯具支持DMX512, 1-10V, DALI, TRIAC, PWM调光控制, 调光顺滑柔和。

1. Independent intellectual property design reveals senses of elegance, fashion, art, especially bring strong sense of industrial style. Integrated thermal design guarantees long working time.
2. Ultra clear and highly strengthen 4mm tempered glass cover, ensure high luminous efficacy (90-95%), outstanding accuracy of color temperature, and excellent impact resistance and rub resistance.
3. Environmental friendly highly strengthen ADC 12# die-casting aluminum housing with Tiger powder coated spraying process, could reach over 1000 hours in salt spray test and ensure the usage in high humid, high acid, and high alkaline environments like seaside.
4. Apply international top brand CREE LED to achieve high lumen output, great photochromic consistency and CRI>80Ra (>90Ra is available)
5. Use international top brand component driving module to guarantee the luminous stability and low breakdown probability.
6. Various accessories are optional, including high-impact ABS ground spike and 6063 power coated aluminum pole.
7. Various installation modes to satisfy multiple outdoor project requirements, such as multidirectional base mounting, multidirectional tree ring mounting and multidirectional ground spike mounting.
8. Support DMX512, 1-10V, DALI, TRIAC or PWM dimming control, which runs smoothly and softly.

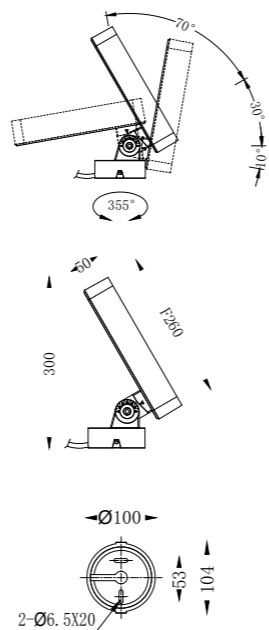
## Product specifications

Item No.	WB3210S1*a-A3-M/WB3210S1*a-A3-B	Item No.	WB3210S1*a-B3-M/WB3210S1*a-B3-B
LED source	CREE XPG	LED source	CREE
Beam angle	10°/20°/30°/40°/60°	Beam angle	24°/36°/60°
LED color	2200K/2700K/3000K/4000K/5000K/6000K	LED color	2700K/3000K/4000K/5000K/6000K
Power	24*1.5W	Power	4*9W
Input voltage	DC12V/DC24V H05RN-F-2*1.0mm² AC100~240V H05RN-F-3*0.75mm²	Input voltage	DC12V/DC24V H05RN-F-2*1.0mm² AC100~240V H05RN-F-3*0.75mm²
Operating temperature	-20℃~40℃	Operating temperature	-20℃~40℃
IK rate	05	IK rate	05
Luminance(lm)	Warm white=lm	Luminance(lm)	Warm white=lm
Dimmable support	Triac/PWM/0-10V/DALI/DMX512	Dimmable support	Triac/PWM/0-10V/DALI/DMX512

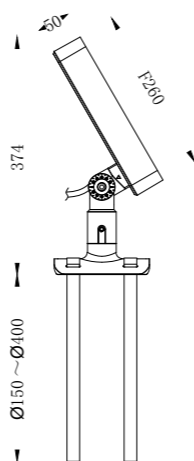
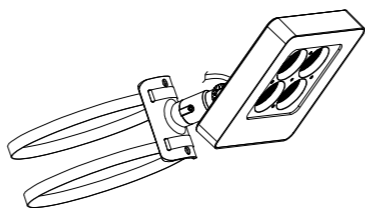


# LED方形景观投光灯

## LED Square Landscape Spot Light



WB3260S1\*a-A3-M



### 产品简介Product Introduction

1. 拥有自主知识产权外观设计, 优雅时尚美观, 极具工业设计感, 采用一体式散热设计, 保证灯具长时间的使用寿命。
2. 玻璃采用4MM超白高强度钢化玻璃, 保证灯具光输出的超高效率 (90-95%) 和色温的准确性以及极强的抗冲击耐摩擦能力。
3. 环保ACD12#高强度压铸铝, 表面高端老虎粉体烤漆喷涂处理, 盐雾测试可达1000小时以上, 以确保海边等高温高酸碱环境的使用。
4. LED采用国际一线品牌美国CREE, 超高亮度输出, 光色一致性好, 显色指数大于80以上 (可选90以上)。
5. 驱动模块也均采用国际一线品牌元器件, 保证灯具稳定与故障的低概率。
6. 配件: 地插件-高强度ABS, 加长杆-6063铝 (表面老虎粉体烤漆喷涂)。
7. 可选择多向旋转底座、多向旋转抱树、多向旋转抱杆、多向旋转插地安装, 满足多种户外工程的应用。
8. 灯具支持DMX512, 1-10V, DALI, TRIAC, PWM调光控制, 调光顺滑柔和。

1. Independent intellectual property design reveals senses of elegance, fashion, art, especially bring strong sense of industrial style. Integrated thermal design guarantees long working time.
2. Ultra clear and highly strengthen 4mm tempered glass cover, ensure high luminous efficacy (90-95%), outstanding accuracy of color temperature, and excellent impact resistance and rub resistance.
3. Environmental friendly highly strengthen ADC 12# die-casting aluminum housing with Tiger powder coated spraying process, could reach over 1000 hours in salt spray test and ensure the usage in high humid, high acid, and high alkaline environments like seaside.
4. Apply international top brand CREE LED to achieve high lumen output, great photochromic consistency and CRI>80Ra (>90Ra is available)
5. Use international top brand component driving module to guarantee the luminous stability and low breakdown probability.
6. Various accessories are optional, including high-impact ABS ground spike and 6063 power coated aluminum pole.
7. Various installation modes to satisfy multiple outdoor project requirements, such as multidirectional base mounting, multidirectional tree ring mounting and multidirectional ground spike mounting.
8. Support DMX512, 1-10V, DALI, TRIAC or PWM dimming control, which runs smoothly and softly.

### Product specifications

Item No.	WB3260S1*a-A3-M/WB3260S1*a-A3-B	Item No.	WB3260S1*a-B3-M/WB3260S1*a-B3-B
LED source	CREE XPG	LED source	CREE
Beam angle	10°/20°/30°/40°/60°	Beam angle	24°/36°/60°
LED color	2200K/2700K/3000K/4000K/5000K/6000K	LED color	2700K/3000K/4000K/5000K/6000K
Power	36*1.6W	Power	4*14W
Input voltage	DC12V/DC24V H05RN-F-2*1.0mm² AC100~240V H05RN-F-3*0.75mm²	Input voltage	DC12V/DC24V H05RN-F-2*1.0mm² AC100~240V H05RN-F-3*0.75mm²
Operating temperature	-20℃~40℃	Operating temperature	-20℃~40℃
IK rate	05	IK rate	05
Luminance(lm)	Warm white=lm	Luminance(lm)	Warm white=lm
Dimmable support	Triac/PWM/0-10V/DALI/DMX512	Dimmable support	Triac/PWM/0-10V/DALI/DMX512





LED 景观投光灯系列  
LED Landscape Spot Light Series



# LED景观投光灯 LED Landscape Spot Light



WB3042R1\*α-A3-M



WB3042R3\*α-A3-M

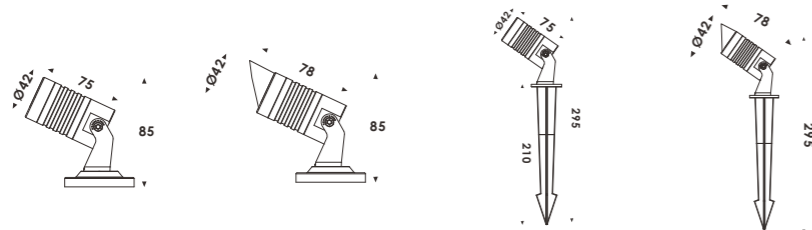


WB3042R1\*α-A3-B



WB3042R3\*α-A3-B

## Dimensions



## 产品简介Product Introduction

- 1.面盖: 6063# 高散热航空铝,表面喷涂处理
- 2.灯体: 6063#高散热航空铝, 表面喷涂处理
- 3.驱动: 恒压输入
- 4.玻璃: 高强度钢化玻璃, 抗冲击耐摩擦
- 5.配件: 底座-铝/地插ABS

- 1.Front cover & Housing:6063# Die-casting grey powder coated aluminum.T=60-80μm Adhesion of ISO class 1/ASTM class 4B high temperature painting
- 2.Driver:Constant current output,Constant current output
- 3.Glass:Step tempered glass
- 4.Base:aluminum
- Spike:ABS



## Product specifications

Item No.	WB3042R1*α-A3-B/WB3042R3*α-A3-B/WB3042R1*α-A3-M/WB3042R3*α-A3-M
LED source	CREE
Beam angle	10°/20°/30°/40°/60°
LED color	2200K/2700K/3000K/4000K/5000K/6000K
Power	1*2W
Input voltage	DC12V/DC24V H05RN-F-2*1.0mm <sup>2</sup> AC100~240V H05RN-F-3*0.75mm <sup>2</sup>
Operating temperature	-20℃~40℃
IK rate	03
Luminance(lm)	Warm white=119m
Dimmable support	Triac/PWM/0-10V/DALI/DMX512

# LED景观投光灯 LED Landscape Spot Light



WB3063R1\*α-B4-M



WB3063R3\*α-B4-M

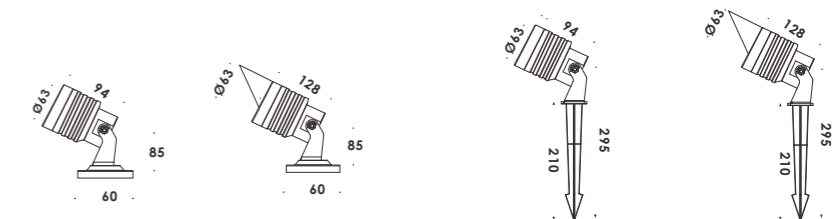


WB3063R1\*α-B4-B



WB3063R3\*α-B4-B

## Dimensions



## 产品简介Product Introduction

- 1.面盖: 6063# 高散热航空铝,表面喷涂处理
- 2.灯体: 6063#高散热航空铝, 表面喷涂处理
- 3.驱动: 恒压输入
- 4.玻璃: 高强度钢化玻璃, 抗冲击耐摩擦
- 5.配件: 底座-铝/地插ABS

- 1.Front cover & Housing:6063# Die-casting grey powder coated aluminum.T=60-80μm Adhesion of ISO class 1/ASTM class 4B high temperature painting
- 2.Driver:Constant current output,Constant current output
- 3.Glass:Step tempered glass
- 4.Base:aluminum
- Spike:ABS



## Product specifications

Item No.	WB3063R1*α-B4-B/WB3063R3*α-B4-B/WB3063R1*α-B4-M/WB3063R3*α-B4-M
LED source	CREE
Beam angle	25°/36°/60°
LED color	2700K/3000K/4000K/5000K/6000K
Power	1*6W
Input voltage	DC12V/DC24V H05RN-F-2*1.0mm <sup>2</sup> AC100~240V H05RN-F-3*0.75mm <sup>2</sup>
Operating temperature	-20℃~40℃
IK rate	03
Luminance(lm)	Warm white= 1m
Dimmable support	Triac/PWM/0-10V/DALI/DMX512

# LED景观投光灯 LED Landscape Spot Light

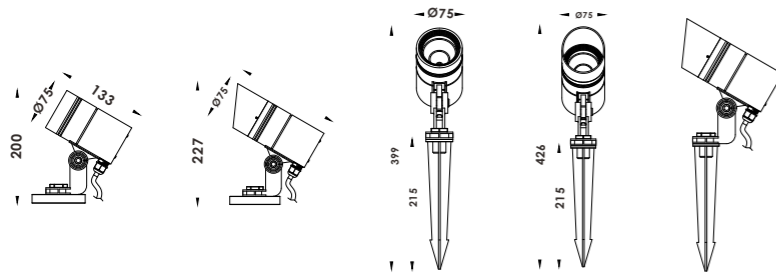


WB3075R1\*α-B4-M



WB3075R1\*α-B4-B

## Dimensions



## 产品简介Product Introduction

- 1.面盖:6063# 高散热航空铝,表面喷涂处理
- 2.灯体:6063#高散热航空铝, 表面喷涂处理
- 3.驱动:恒压输入
- 4.玻璃:高强度钢化玻璃, 抗冲击耐摩擦
- 5.配件:底座-铝/地插ABS

- 1.Front cover & Housing:6063# Die-casting grey powder coated aluminum.T=60-80µm Adhesion of ISO class 1/ASTM class 4B high temperature painting
  - 2.Driver:Constant current output,Constant current output
  - 3.Glass:Step tempered glass
  - 4.Base:aluminum
- Spike:ABS



## Product specifications

Item No.	WB3075R1*α-B4-B/WB3075R3*α-B4-B/WB3075R1*α-B4-M/WB3075R3*α-B4-M
LED source	CREE
Beam angle	25°/36°/60°
LED color	2700K/3000K/4000K/5000K/6000K
Power	1*13W
Input voltage	DC12V/DC24V H05RN-F-2*1.0mm <sup>2</sup> AC100~240V H05RN-F-3*0.75mm <sup>2</sup>
Operating temperature	-20℃~40℃
IK rate	03
Luminance(lm)	Warm white= lm
Dimmable support	Triac/PWM/0-10V/DALI/DMX512

# LED景观投光灯 LED Landscape Spot Light



WB3070R1\*α-B4-M



WB3070R3\*α-B4-M

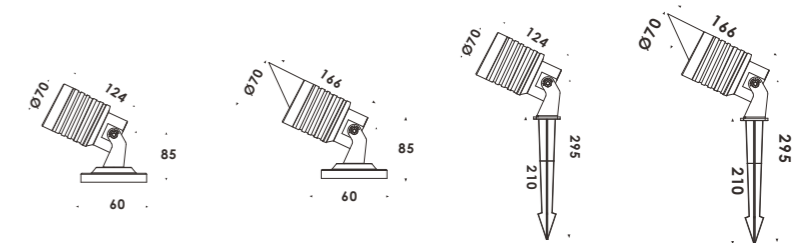


WB3070R1\*α-B4-B



WB3070R3\*α-B4-B

## Dimensions



## 产品简介Product Introduction

- 1.面盖:6063# 高散热航空铝,表面喷涂处理
- 2.灯体:6063#高散热航空铝, 表面喷涂处理
- 3.驱动:恒压输入
- 4.玻璃:高强度钢化玻璃, 抗冲击耐摩擦
- 5.配件:底座-铝/地插ABS

- 1.Front cover & Housing:6063# Die-casting grey powder coated aluminum.T=60-80µm Adhesion of ISO class 1/ASTM class 4B high temperature painting
  - 2.Driver:Constant current output,Constant current output
  - 3.Glass:Step tempered glass
  - 4.Base:aluminum
- Spike:ABS



## Product specifications

Item No.	WB3070R1*α-B4-B/WB3070R3*α-B4-B/WB3070R1*α-B4-M/WB3070R3*α-B4-M
LED source	CREE
Beam angle	25°/36°/60°
LED color	2700K/3000K/4000K/5000K/6000K
Power	1*12W
Input voltage	DC12V/DC24V H05RN-F-2*1.0mm <sup>2</sup> AC100~240V H05RN-F-3*0.75mm <sup>2</sup>
Operating temperature	-20℃~40℃
IK rate	03
Luminance(lm)	Warm white= lm
Dimmable support	Triac/PWM/0-10V/DALI/DMX512

# LED景观投光灯 LED Landscape Spot Light



WB3102R1\*α-A3-M-05



WB3105R3\*α-A3-M-05

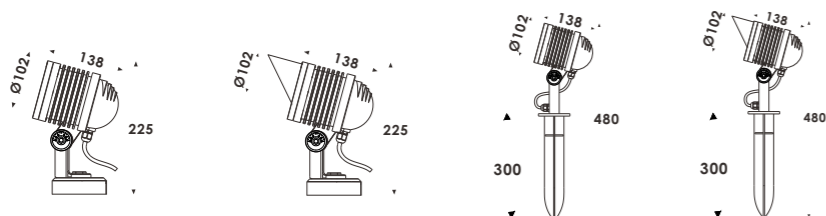


WB3102R1\*α-A3-B-06



WB3102R3\*α-A3-B-06

## Dimensions



## 产品简介Product Introduction

- 1.面盖:12# 压铸铝,表面喷涂处理
- 2.灯体:12#压铸铝,表面喷涂处理
- 3.驱动:恒压输入
- 4.玻璃:高强度钢化玻璃,抗冲击耐摩擦
- 5.配件:底座-铝/地插ABS

- 1.Front cover & Housing:12# Die-casting grey powder coated aluminum.T=60-80µm Adhesion of ISO class 1/ASTM class 4B high temperature painting
  - 2.Driver:Constant current output,Constant current output
  - 3.Glass:Step tempered glass
  - 4.Base:aluminum
- Spike:ABS



## Product specifications

Item No.	WB3102R3*α-A3-B-06/WB3102R3*α-A3-B-06	Item No.	WB3102R1*α-B3-B/WB3102R3*α-B3-B
LED source	CREE	LED source	CREE
Beam angle	10°/20°/30°/40°/60°	Beam angle	24°/36°/60°
LED color	2200K/2700K/3000K/4000K/5000K/6000K	LED color	2700K/3000K/4000K/5000K/6000K
Power	6*2W	Power	1*10W
Input voltage	DC12V/DC24V H05RN-F-2*1.0mm² AC100~240V H05RN-F-3*0.75mm²	Input voltage	DC12V/DC24V H05RN-F-2*1.0mm² AC100~240V H05RN-F-3*0.75mm²
Operating temperature	-20℃~40℃	Operating temperature	-20℃~40℃
IK rate	03	IK rate	03
Luminance(lm)	Warm white= 1m	Luminance(lm)	Warm white= 1m
Dimmable support	Triac/PWM/0-10V/DALI/DMX512	Dimmable support	Triac/PWM/0-10V/DALI/DMX512

# LED景观投光灯 LED Landscape Spot Light



WB3115R2\*α-A3-X

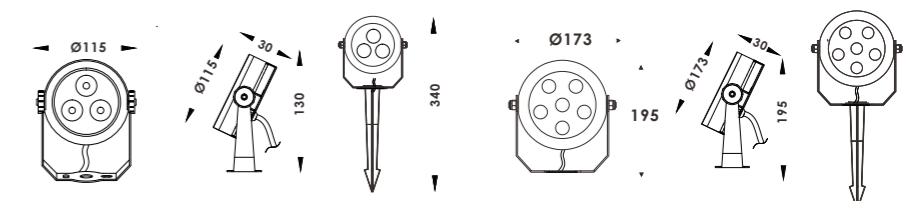


WB3173R2\*α-A3-X-06



WB3173R2\*α-A3-X-09

## Dimensions



## 产品简介Product Introduction



- 1.面盖:12# 压铸铝,表面喷涂处理
- 2.灯体:12#压铸铝,表面喷涂处理
- 3.驱动:恒压输入
- 4.玻璃:高强度钢化玻璃,抗冲击耐摩擦
- 5.配件:底座-铝/地插ABS



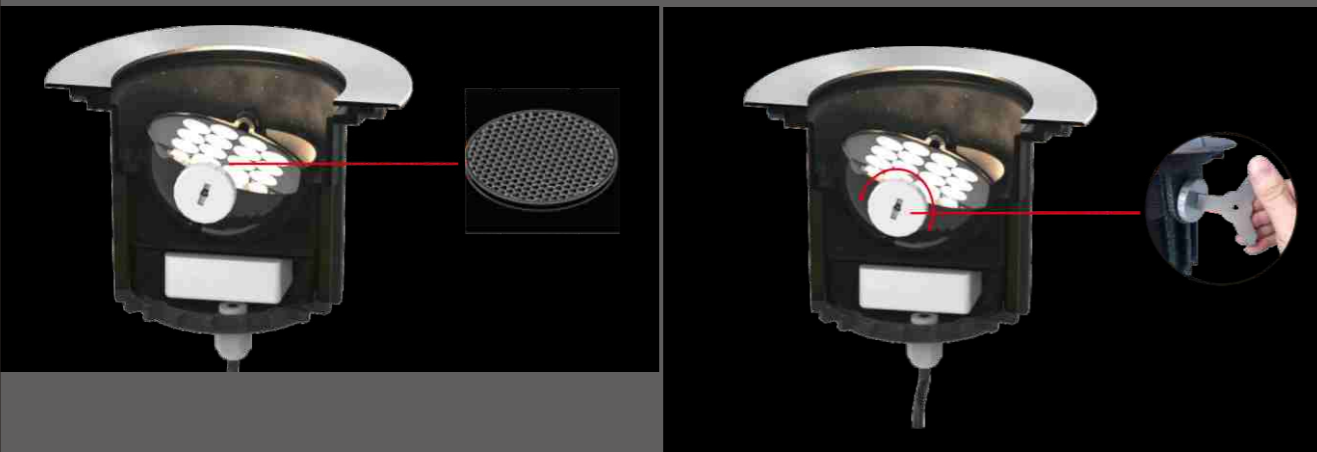
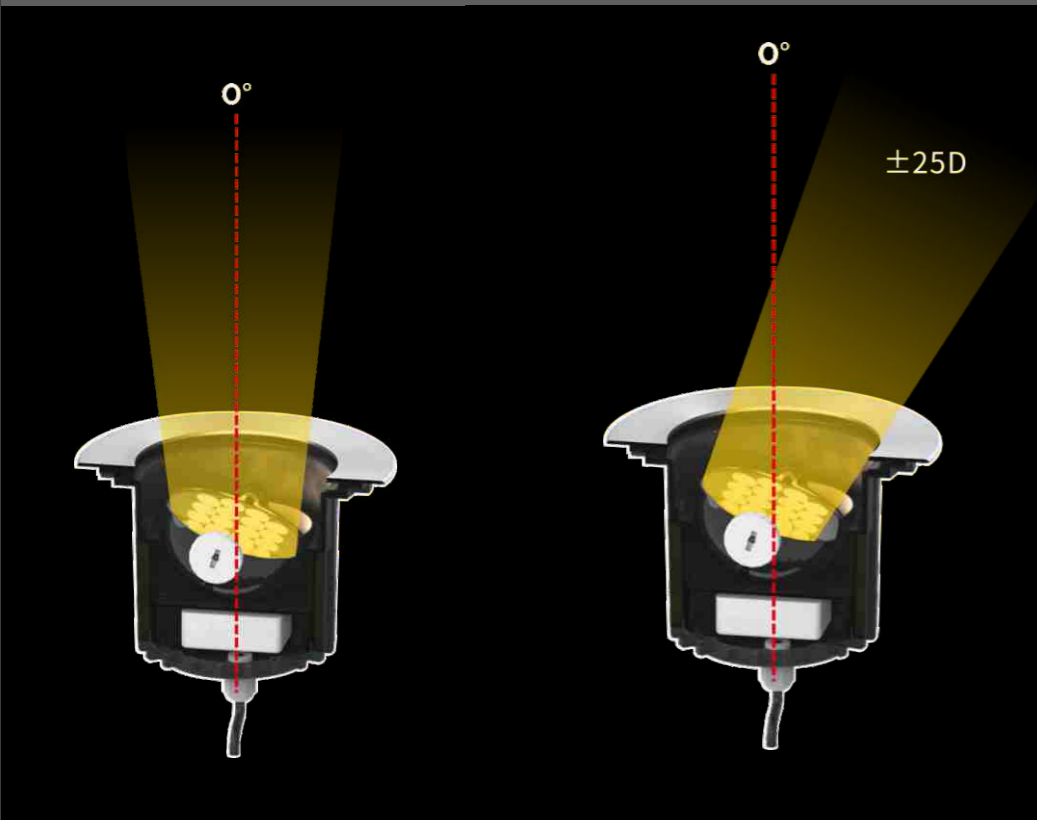
- 1.Front cover & Housing:12# Die-casting grey powder coated aluminum.T=60-80µm Adhesion of ISO class 1/ASTM class 4B high temperature painting
  - 2.Driver:Constant current output,Constant current output
  - 3.Glass:Step tempered glass
  - 4.Base:aluminum
- Spike:ABS

## Product specifications

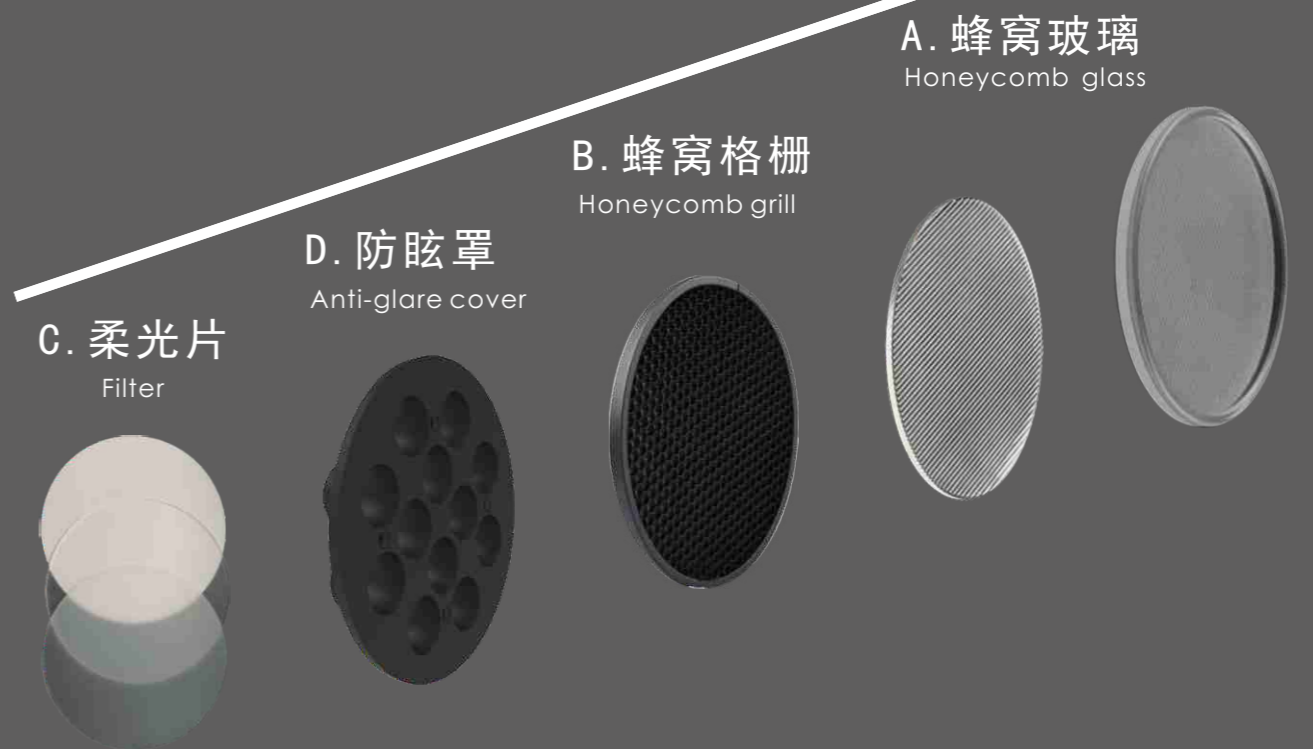
Item No.	WB3115R2*α-A3-X/WB3115R3*α-A3-X	Item No.	WB3173R2*α-A3-X-06
LED source	CREE	LED source	CREE
Beam angle	10°/20°/30°/40°/60°	Beam angle	10°/24°/36°/60°
LED color	2200K/2700K/3000K/4000K/5000K/6000K	LED color	2200K/2700K/3000K/4000K/5000K/6000K
Power	3*2W	Power	6*2W
Input voltage	DC12V/DC24V H05RN-F-2*1.0mm² AC100~240V H05RN-F-3*0.75mm²	Input voltage	DC12V/DC24V H05RN-F-2*1.0mm² AC100~240V H05RN-F-3*0.75mm²
Operating temperature	-20℃~40℃	Operating temperature	-20℃~40℃
IK rate	08	IK rate	09
Luminance(lm)	Warm white=381lm/ Cool white=466lm	Luminance(lm)	Warm white=826lm/ Cool white=1100lm
Dimmable support	Triac/PWM/0-10V/DALI/DMX512	Dimmable support	Triac/PWM/0-10V/DALI/DMX512

# 可外调角埋地灯

LED Inground Light  
Adjustable Beam Direction Series



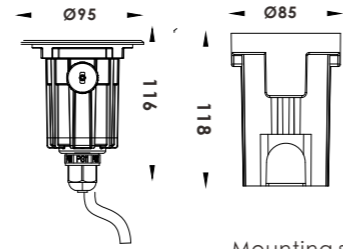
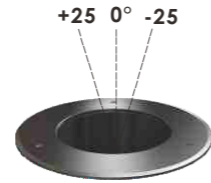
## 控光配件 Optical lighting accessories



# 可外调角大功率埋地灯 Beam Angle Adjustable High Power LED Inground Light



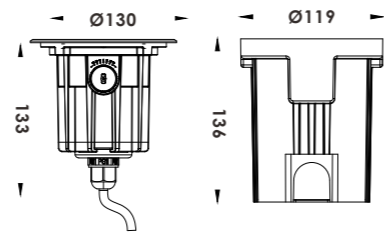
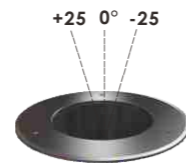
WB2095R1\*α-A1-Y



Mounting sleeve



WB2130R1\*α-A1-Y



Mounting sleeve



## 产品简介 Product Introduction

- 1.拥有自主知识产权外观设计,实用新型专利,优雅时尚美观,极具工业设计风。
- 2.灯具外部实现正负25度出光方向调节,采用独特球形散热结构,保证LED的有充足的散热,使灯具达到长时间的使用寿命。
- 3.面盖采用316L不锈钢镀钛工艺,灯体采用环保ACD12#高强度压铸铝,表面高端美国老虎粉体烤漆喷涂处理,以确保海边等高酸碱环境的使用。
- 4.玻璃采用8MM超白高强度钢化玻璃,保证灯具光输出的超高效率达90%以上和色温的准确性以及极强的抗冲击承重能力。
- 5.LED采用国际一线品牌美国CREE,超高亮度输出,光色一致性好,显色指数大于80以上(可选90以上)。
- 6.驱动模块采用国际一线品牌或元器件,保证灯具稳定与故障的低概率。
- 7.灯具支持DMX512,1-10V,DALI,TRIAC,PWM调光控制,调光顺滑柔和。
- 8.配件:预埋件采用高强度环保ABS。

- 1.The products are self - developed with independent intellectual property rights and utility model patents.
- 2.Beam direction of luminaire can be 25° adjustable by external knob of the luminaire. Unique spherical heat dissipation structure design enables the luminaire with excellent heat dissipation and helps prolong lifespan of the product..
- 3.Front ring of luminaire made of Tetanizing 316L stainless steel while lamp housing made of environmental and high tensile ACD12# die-casting aluminum, and the surface of lamp housing is with American Tiger Powder Paint Treatment, suitable for high-acid and alkali environments use.
- 4.Ultra clear and highly strengthen 8mm tempered glass cover, ensure high luminous efficacy (90-95%) , outstanding accuracy of color temperature, and excellent impact resistance and rub resistance.
- 5.Uses CREE LED with super brightness, high CRI 80+ (even 90+ is available) and Uniformity of light Color as its light source.
- 6.Top quality driver, components and excellent circuit design ensures the product with stable quality and low failure rate.
- 7.Optional DMX512, 0/1-10V, DALI, TRIAC, PWM dimming function.
- 8.Accessory: high-impact durable ABS mounting sleeve.

Product specifications			
Item No.	WB2095R1*α-A1-Y	Item No.	WB2130R1*α-A1-Y
LED source	CREE	LED source	CREE
Beam angle	10°/20°/30°/40°/60°	Beam angle	10°/20°/30°/40°/60°
LED color	2200K/2700K/3000K/4000K/5000K/6000K	LED color	2200K/2700K/3000K/4000K/5000K/6000K
Power	1*2W	Power	3*2W
Input voltage	DC12V/DC24V H05RN-F-2*1.0mm <sup>2</sup> AC100~240V H05RN-F-3*0.75mm <sup>2</sup>	Input voltage	DC12V/DC24V H07RN-F-2*1.0mm <sup>2</sup> AC100~240V H05RN-F-3*1.0mm <sup>2</sup>
Operating temperature	-20°C~40°C	Operating temperature	-20 ~40°C
IK rate	05	IK rate	08
Luminance(lm)	Warm white=110lm/ Cool white=126lm	Luminance(lm)	Warm white=22lm/ Cool white=28lm
Dimmable support	Triac/PWM/0-10V/DALI/DMX512 (internal)	Dimmable support	Triac/PWM/0-10V/DALI/DMX512 (internal)

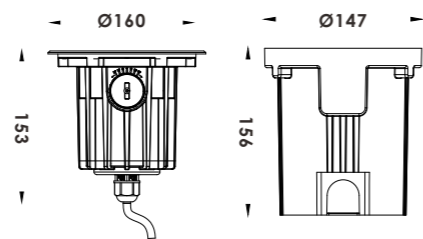
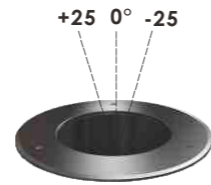


# 可外调角大功率埋地灯

## Beam Angle Adjustable High Power LED Inground Light



WB2160R1\*α-A1-Y



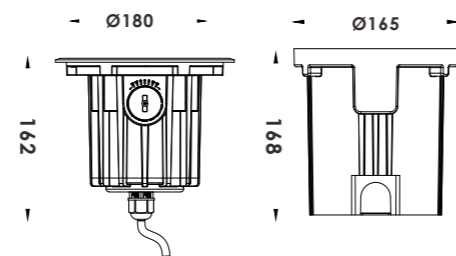
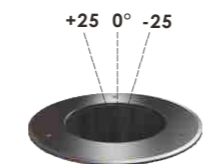
Mounting sleeve



147mm



WB2180R1\*α-A1-Y



Mounting sleeve



165mm

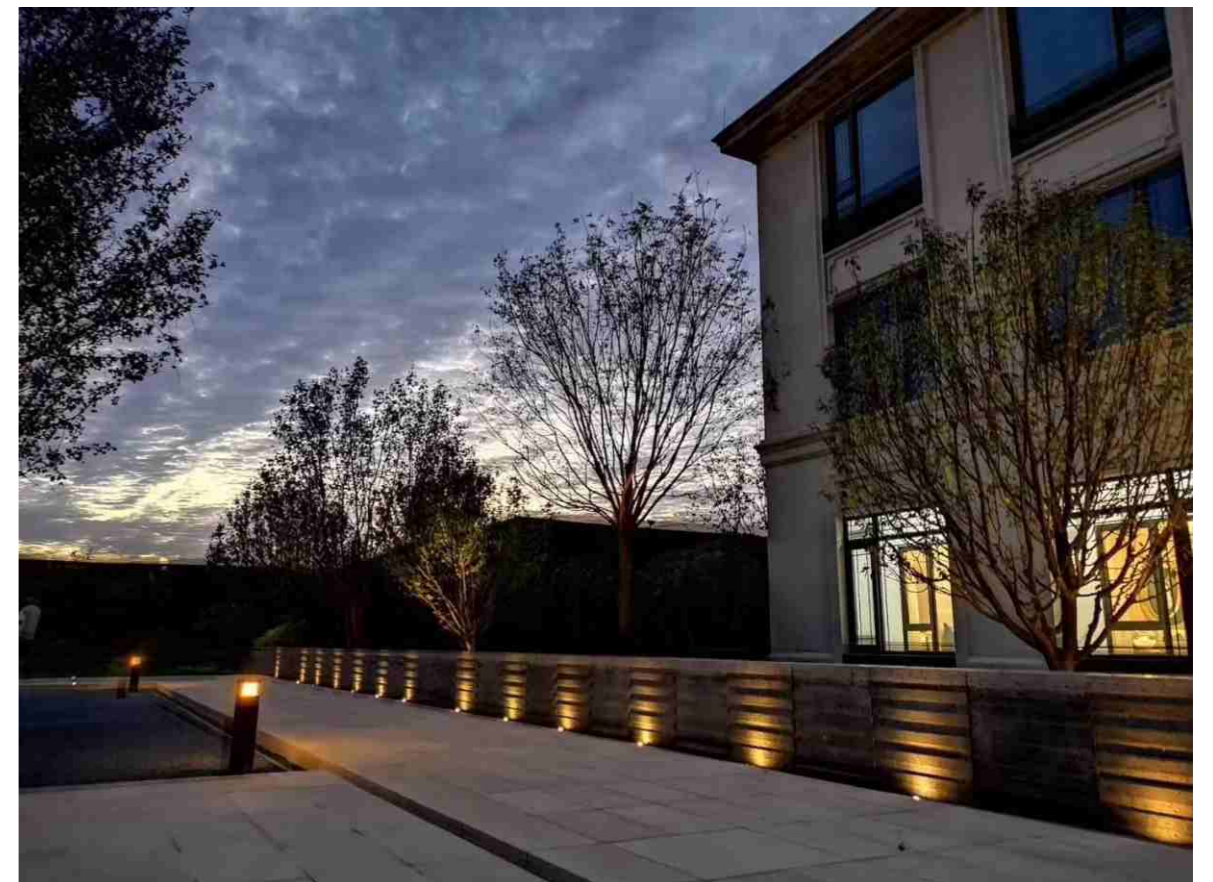
## 产品简介Product Introduction

- 1.拥有自主知识产权外观设计,实用新型专利,优雅时尚美观,极具工业设计风。
- 2.灯具外部实现正负25度出光方向调节,采用独特球形散热结构,保证LED的有充足的散热,使灯具达到长时间的使用寿命。
- 3.面盖采用316L不锈钢镀钛工艺,灯体采用环保ACD12#高强度压铸铝,表面高端美国老虎粉体烤漆喷涂处理,以确保海边等高酸碱环境的使用。
- 4.玻璃采用8MM超白高强度钢化玻璃,保证灯具光输出的超高效率达90%以上和色温的准确性以及极强的抗冲击承重能力。
- 5.LED采用国际一线品牌美国CREE,超高亮度输出,光色一致性好,显色指数大于80以上(可选90以上)。
- 6.驱动模块采用国际一线品牌或元器件,保证灯具稳定与故障的低概率。
- 7.灯具支持DMX512,1-10V,DALI,TRIAC,PWM调光控制,调光顺滑柔和。
- 8.配件:预埋件采用高强度环保ABS。

- 1.The products are self - developed with independent intellectual property rights and utility model patents.
- 2.Beam direction of luminaire can be 25° adjustable by external knob of the luminaire. Unique spherical heat dissipation structure design enables the luminaire with excellent heat dissipation and helps prolong lifespan of the product..
- 3.Front ring of luminaire made of Tetanizing 316L stainless steel while lamp housing made of environmental and high tensile ACD12# die-casting aluminum, and the surface of lamp housing is with American Tiger Powder Paint Treatment, suitable for high-acid and alkali environments use.
- 4.Ultra clear and highly strengthen 8mm tempered glass cover, ensure high luminous efficacy (90-95%) , outstanding accuracy of color temperature, and excellent impact resistance and rub resistance.
- 5.Uses CREE LED with super brightness, high CRI 80+ (even 90+ is available) and Uniformity of light Color as its light source.
- 6.Top quality driver, components and excellent circuit design ensures the product with stable quality and low failure rate.
- 7.Optional DMX512, 0/1-10V, DALI, TRIAC, PWM dimming function.
- 8.Accessory: high-impact durable ABS mounting sleeve.

## Product specifications

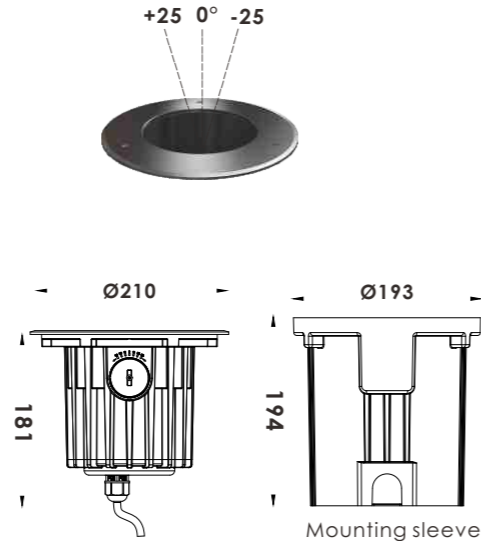
Item No.	WB2160R1*α-A1-Y	Item No.	WB2180R1*α-A1-Y
LED source	CREE	LED source	CREE
Beam angle	10°/20°/30°/40°/60°	Beam angle	10°/20°/30°/40°/60°
LED color	2200K/2700K/3000K/4000K/5000K/6000K	LED color	2200K/2700K/3000K/4000K/5000K/6000K
Power	6*2W	Power	9*2W
Input voltage	DC12V/DC24V H07RN-F-2*1.0mm <sup>2</sup> AC100~240V H05RN-F-3*1.0mm <sup>2</sup>	Input voltage	DC12V/DC24V H07RN-F-2*1.0mm <sup>2</sup> AC100~240V H05RN-F-3*1.0mm <sup>2</sup>
Operating temperature	-20°C~40°C	Operating temperature	-20°C~40°C
IK rate	05	IK rate	08
Luminance(lm)	Warm white=110lm/ Cool white=126lm	Luminance(lm)	Warm white=22lm/ Cool white=28lm
Dimmable support	Triac/PWM/0-10V/DALI/DMX512 (internal)	Dimmable support	Triac/PWM/0-10V/DALI/DMX512 (internal)



# 可外调角大功率埋地灯 Beam Angle Adjustable High Power LED Inground Light



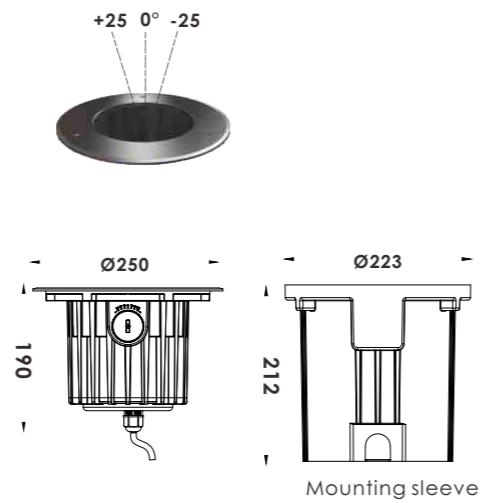
WB2210R1\*α-A1-Y



193mm



WB2250R1\*α-A1-Y



223mm

## 产品简介Product Introduction

- 1.拥有自主知识产权外观设计,实用新型专利,优雅时尚美观,极具工业设计风。
- 2.灯具外部实现正负25度出光方向调节,采用独特球形散热结构,保证LED的有充足的散热,使灯具达到长时间的使用寿命。
- 3.面盖采用316L不锈钢镀钛工艺,灯体采用环保ACD12#高强度压铸铝,表面高端美国老虎粉体烤漆喷涂处理,以确保海边等高酸碱环境的使用。
- 4.玻璃采用8MM超白高强度钢化玻璃,保证灯具光输出的超高效率达90以上和色温的准确性以及极强的抗冲击承重能力。
- 5.LED采用国际一线品牌美国CREE,超高亮度输出,光色一致性好,显色指数大于80以上(可选90以上)。
- 6.驱动模块采用国际一线品牌或元器件,保证灯具稳定与故障的低概率。
- 7.灯具支持DMX512,1-10V,DALI,TRIAC,PWM调光控制,调光顺滑柔和。
- 8.配件:预埋件采用高强度环保ABS。

- 1.The products are self - developed with independent intellectual property rights and utility model patents.
- 2.Beam direction of luminaire can be 25° adjustable by external knob of the luminaire. Unique spherical heat dissipation structure design enables the luminaire with excellent heat dissipation and helps prolong lifespan of the product..
- 3.Front ring of luminaire made of Tetanizing 316L stainless steel while lamp housing made of environmental and high tensile ACD12# die-casting aluminum, and the surface of lamp housing is with American Tiger Powder Paint Treatment, suitable for high-acid and alkali environments use.
- 4.Ultra clear and highly strengthen 8mm tempered glass cover, ensure high luminous efficacy (90-95%) , outstanding accuracy of color temperature, and excellent impact resistance and rub resistance.
- 5.Uses CREE LED with super brightness, high CRI 80+ (even 90+ is available) and Uniformity of light Color as its light source.
- 6.Top quality driver, components and excellent circuit design ensures the product with stable quality and low failure rate.
- 7.Optional DMX512, 0/1-10V, DALI, TRIAC, PWM dimming function.
- 8.Accessory: high-impact durable ABS mounting sleeve.

## Product specifications

Item No.	WB2210R1*α-A1-Y	Item No.	WB2250R1*α-A1-Y
LED source	CREE	LED source	CREE
Beam angle	10°/20°/30°/40°/60°	Beam angle	10°/20°/30°/40°/60°
LED color	2200K/2700K/3000K/4000K/5000K/6000K	LED color	2200K/2700K/3000K/4000K/5000K/6000K
Power	12*2W	Power	12*2W/18*2W
Input voltage	DC12V/DC24V H05RN-F-2*1.0mm² AC100~240V H05RN-F-3*0.75mm²	Input voltage	DC12V/DC24V H07RN-F-2*1.0mm² AC100~240V H05RN-F-3*0.75mm²
Operating temperature	-20°C~40°C	Operating temperature	-20°C~40°C
IK rate	10	IK rate	10
Luminance(lm)	Warm white= lm/ Cool white= lm	Luminance(lm)	Warm white= lm/ Cool white= lm
Dimmable support	Triac/PWM/0-10V/DALI/DMX512 (internal)	Dimmable support	Triac/PWM/0-10V/DALI/DMX512 (internal)



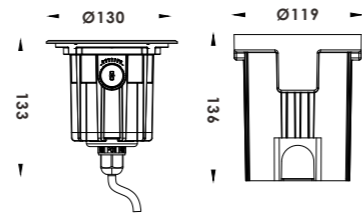
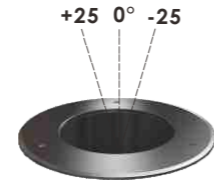


# 可外调角COB埋地灯

## Beam Angle Adjustable COB LED Inground Light



WB2130R1\*α-B1-Y



Mounting sleeve



119mm

### 产品简介Product Introduction

- 1.拥有自主知识产权外观设计,实用新型专利,优雅时尚美观,极具工业设计风。
- 2.灯具外部实现正负25度出光方向调节,采用独特球形散热结构,保证LED的有充足的散热,使灯具达到长时间的使用寿命。
- 3.面盖采用316L不锈钢镀钛工艺,灯体采用环保ACD12#高强度压铸铝,表面高端美国老虎粉体烤漆喷涂处理,以确保海边等高酸碱环境的使用。
- 4.玻璃采用8MM超白高强度钢化玻璃,保证灯具光输出的超高效率达90%以上和色温的准确性以及极强的抗冲击承重能力。
- 5.LED采用国际一线品牌美国CREE,超高亮度输出,光色一致性好,显色指数大于80以上(可选90以上)。
- 6.驱动模块采用国际一线品牌或元器件,保证灯具稳定与故障的低概率。
- 7.灯具支持DMX512,1-10V,DALI,TRIAC,PWM调光控制,调光顺滑柔和。
- 8.配件:预埋件采用高强度环保ABS。

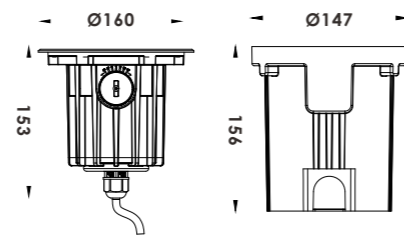
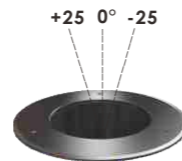
- 1.The products are self - developed with independent intellectual property rights and utility model patents.
- 2.Beam direction of luminaire can be 25° adjustable by external knob of the luminaire. Unique spherical heat dissipation structure design enables the luminaire with excellent heat dissipation and helps prolong lifespan of the product..
- 3.Front ring of luminaire made of Tetanizing 316L stainless steel while lamp housing made of environmental and high tensile ACD12# die-casting aluminum, and the surface of lamp housing is with American Tiger Powder Paint Treatment, suitable for high-acid and alkali environments use.
- 4.Ultra clear and highly strengthen 8mm tempered glass cover, ensure high luminous efficacy (90-95%) , outstanding accuracy of color temperature, and excellent impact resistance and rub resistance.
- 5.Uses CREE LED with super brightness, high CRI 80+ (even 90+ is available) and Uniformity of light Color as its light source.
- 6.Top quality driver, components and excellent circuit design ensures the product with stable quality and low failure rate.
- 7.Optional DMX512, 0/1-10V, DALI, TRIAC, PWM dimming function.
- 8.Accessory: high-impact durable ABS mounting sleeve.

### Product specifications

Item No.	WB2130R1*α-B1-Y	Item No.	WB2160R1*α-B1-Y
LED source	CREE	LED source	CREE
Beam angle	18°/25°/40°/60°	Beam angle	18°/25°/40°/60°
LED color	2700K/3000K/4000K/6000K	LED color	2700K/3000K/4000K/6000K
Power	1*6W	Power	1*12W
Input voltage	DC 12V/DC24V H05RN-F-2*1.0mm <sup>2</sup> AC 100~240V H05RN-F-3*0.75mm <sup>2</sup>	Input voltage	DC 12V/DC24V H07RN-F-2*1.0mm <sup>2</sup> AC 100~240V H05RN-F-3*0.75mm <sup>2</sup>
Operating temperature	-20°C~40°C	Operating temperature	-20°C~40°C
IK rate	08	IK rate	08
Luminance(lm)	Warm white= lm/ Cool white= lm	Luminance(lm)	Warm white= lm/ Cool white= lm
Dimmable support	Triac/PWM/0-10V/DALI/DMX512 (internal)	Dimmable support	Triac/PWM/0-10V/DALI/DMX512 (internal)



WB2160R1\*α-B1-Y



Mounting sleeve



147mm

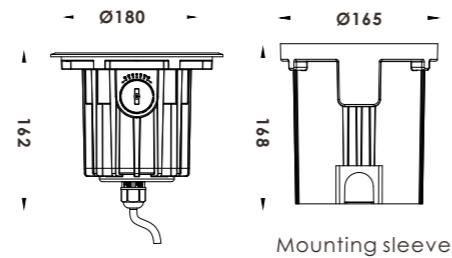
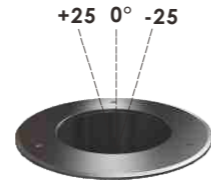


# 可外调角COB埋地灯

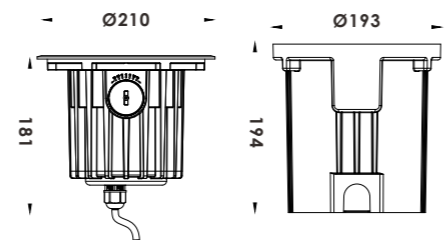
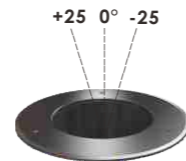
## Beam Angle Adjustable COB LED Inground Light



WB2180R1\*α-B1-Y



WB2210R1\*α-B1-Y



## 产品简介Product Introduction

- 1.拥有自主知识产权外观设计,实用新型专利,优雅时尚美观,极具工业设计风。
- 2.灯具外部实现正负25度出光方向调节,采用独特球形散热结构,保证LED的有充足的散热,使灯具达到长时间的使用寿命。
- 3.面盖采用316L不锈钢镀钛工艺,灯体采用环保ACD12#高强度压铸铝,表面高端美国老虎粉体烤漆喷涂处理,以确保海边等高酸碱环境的使用。
- 4.玻璃采用8MM超白高强度钢化玻璃,保证灯具光输出的超高效率达90以上和色温的准确性以及极强的抗冲击承重能力。
- 5.LED采用国际一线品牌美国CREE,超高亮度输出,光色一致性好,显色指数大于80以上(可选90以上)。
- 6.驱动模块采用国际一线品牌元器件,保证灯具稳定与故障的低概率。
- 7.灯具支持DMX512,1-10V,DALI,TRIAC,PWM调光控制,调光平顺柔和。
- 8.配件:预埋件采用高强度环保ABS。

- 1.The products are self - developed with independent intellectual property rights and utility model patents.
- 2.Beam direction of luminaire can be 25° adjustable by external knob of the luminaire. Unique spherical heat dissipation structure design enables the luminaire with excellent heat dissipation and helps prolong lifespan of the product..
- 3.Front ring of luminaire made of Tetanizing 316L stainless steel while lamp housing made of environmental and high tensile ACD12# die-casting aluminum, and the surface of lamp housing is with American Tiger Powder Paint Treatment, suitable for high-acid and alkali environments use.
- 4.Ultra clear and highly strengthen 8mm tempered glass cover, ensure high luminous efficacy (90-95%) , outstanding accuracy of color temperature, and excellent impact resistance and rub resistance.
- 5.Uses CREE LED with super brightness, high CRI 80+ (even 90+ is available) and Uniformity of light Color as its light source.
- 6.Top quality driver, components and excellent circuit design ensures the product with stable quality and low failure rate.
- 7.Optional DMX512, 0/1-10V, DALI, TRIAC, PWM dimming function.
- 8.Accessory: high-impact durable ABS mounting sleeve.

## Product specifications

Item No.	WB2180R1*α-B1-Y	Item No.	WB2210R1*α-B1-Y
LED source	CREE	LED source	CREE
Beam angle	18°/25°/40°/60°	Beam angle	18°/25°/40°/60°
LED color	2700K/3000K/4000K/6000K	LED color	2700K/3000K/4000K/6000K
Power	1*18W	Power	1*24W
Input voltage	DC12V/DC24V H05RN-F-2*1.0mm <sup>2</sup> AC100~240V H05RN-F-3*0.75mm <sup>2</sup>	Input voltage	DC12V/DC24V H07RN-F-2*1.0mm <sup>2</sup> AC100~240V H05RN-F-3*0.75mm <sup>2</sup>
Operating temperature	-20°C~40°C	Operating temperature	-20°C~40°C
IK rate	08	IK rate	10
Luminance(lm)	Warm white= lm/ Cool white= lm	Luminance(lm)	Warm white= lm/ Cool white= lm
Dimmable support	Triac/PWM/0-10V/DALI/DMX512 (internal)	Dimmable support	Triac/PWM/0-10V/DALI/DMX512 (internal)

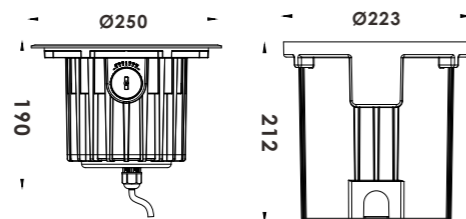


# 可外调角COB埋地灯

## Beam Angle Adjustable COB LED Inground Light



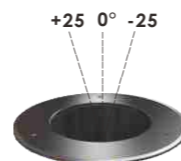
WB2250R1\*a-B1-Y



Mounting sleeve



223mm



### 产品简介Product Introduction

- 1.拥有自主知识产权外观设计,实用新型专利,优雅时尚美观,极具工业设计风。
- 2.灯具外部实现正负25度出光方向调节,采用独特球形散热结构,保证LED的有充足的散热,使灯具达到长时间的使用寿命。
- 3.面盖采用316L不锈钢镀钛工艺,灯体采用环保ACD12#高强度压铸铝,表面高端美国老虎粉体烤漆喷涂处理,以确保海边等高酸碱环境的使用。
- 4.玻璃采用8MM超白高强度钢化玻璃,保证灯具光输出的超高效率达90%以上和色温的准确性以及极强的抗冲击承重能力。
- 5.LED采用国际一线品牌美国CREE,超高亮度输出,光色一致性好,显色指数大于80以上(可选90以上)。
- 6.驱动模块采用国际一线品牌或元器件,保证灯具稳定与故障的低概率。
- 7.灯具支持DMX512,1-10V,DALI,TRIAC,PWM调光控制,调光顺滑柔和。
- 8.配件:预埋件采用高强度环保ABS。

- 1.The products are self - developed with independent intellectual property rights and utility model patents.
- 2.Beam direction of luminaire can be 25° adjustable by external knob of the luminaire. Unique spherical heat dissipation structure design enables the luminaire with excellent heat dissipation and helps prolong lifespan of the product..
- 3.Front ring of luminaire made of Tetanizing 316L stainless steel while lamp housing made of environmental and high tensile ACD12# die-casting aluminum, and the surface of lamp housing is with American Tiger Powder Paint Treatment, suitable for high-acid and alkali environments use.
- 4.Ultra clear and highly strengthen 8mm tempered glass cover, ensure high luminous efficacy (90-95%) , outstanding accuracy of color temperature, and excellent impact resistance and rub resistance.
- 5.Uses CREE LED with super brightness, high CRI 80+ (even 90+ is available) and Uniformity of light Color as its light source.
- 6.Top quality driver, components and excellent circuit design ensures the product with stable quality and low failure rate.
- 7.Optional DMX512, 0/1-10V, DALI, TRIAC, PWM dimming function.
- 8.Accessory: high-impact durable ABS mounting sleeve.

### Product specifications

Item No.	WB2250R1*a-B1-Y
LED source	CREE
Beam angle	18°/25°/40°/60°
LED color	2700K/3000K/4000K/6000K
Power	1*33W
Input voltage	DC12V/DC24V H05RN-F-2*1.0mm <sup>2</sup> AC100~240V H05RN-F-3*0.75mm <sup>2</sup>
Operating temperature	-20°C~40°C
IK rate	10
Luminance(lm)	Warm white= 1m/ Cool white= 1m
Dimmable support	Triac/PWM/0-10V/DALI/DMX512 (internal)



# 深防眩埋地灯

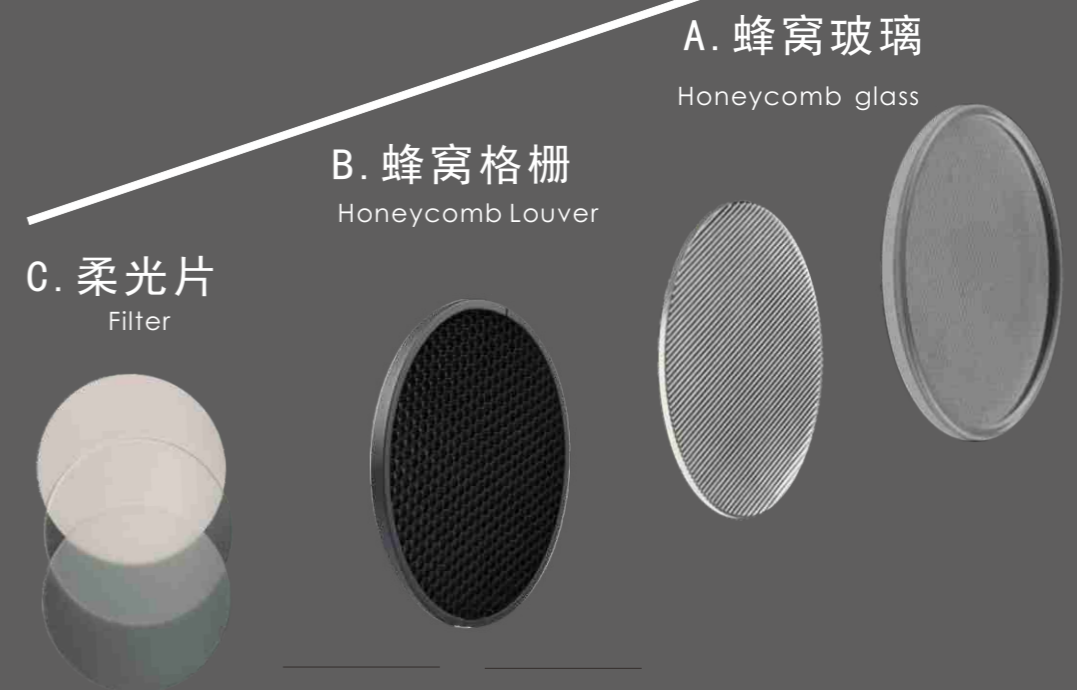
LED Inground light  
Depth Illuminant Series



## 深藏圆孔格栅控光配件 Optical Controlling Accessories



## 控光配件 Optical Controlling Accessories

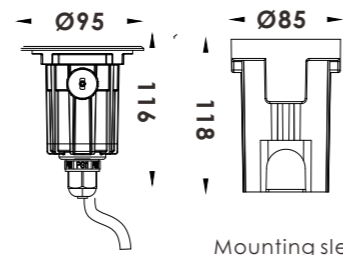


# 深防眩大功率LED埋地灯

## Depth Illuminant High Power LED Inground Light



WB2095R1\*α-A3-Y



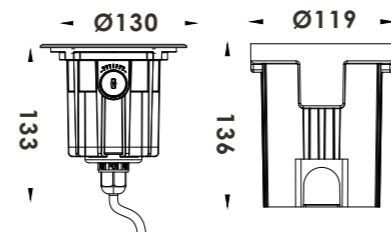
Mounting sleeve



85mm



WB2130R1\*α-A3-Y



Mounting sleeve



119mm

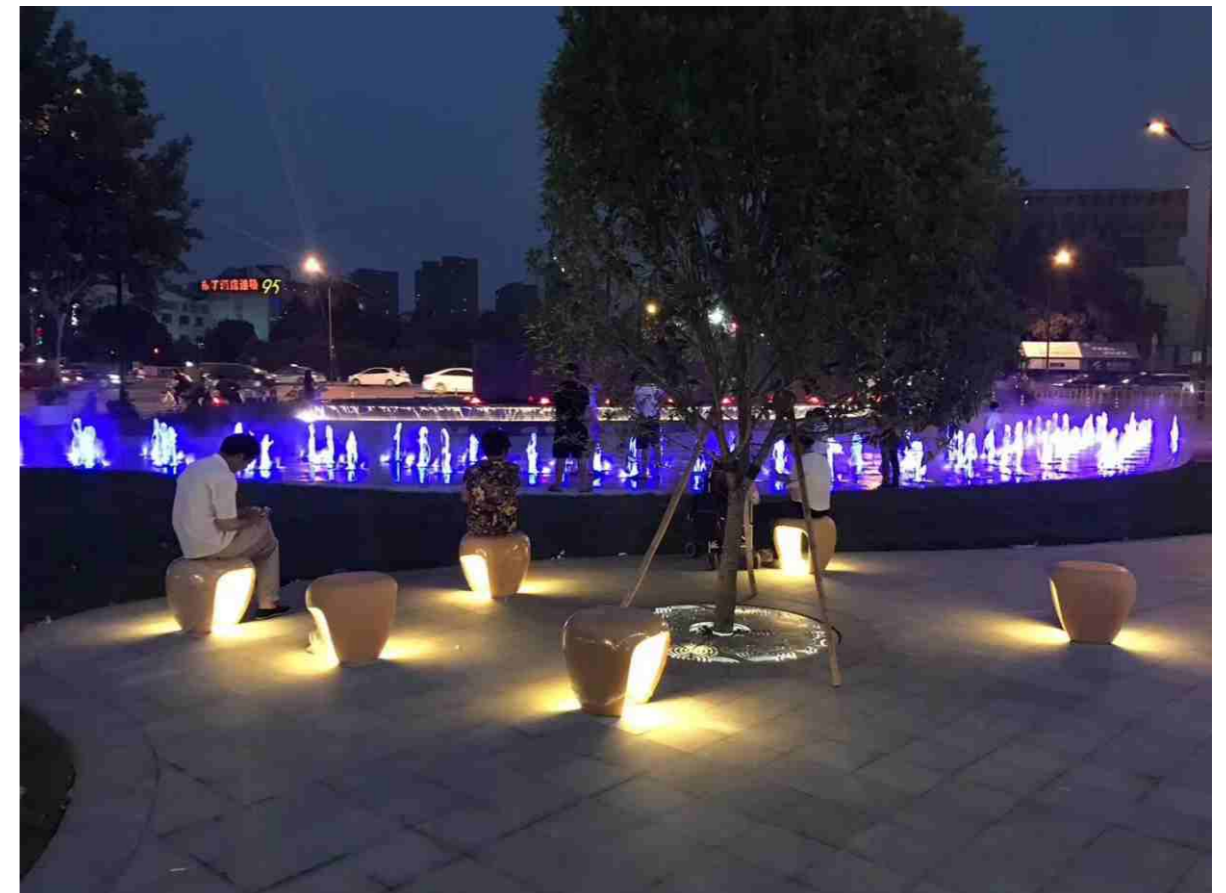
### 产品简介Product Introduction

- 1.拥有自主知识产权外观设计,LED深藏,具有优秀的防眩光性能。
- 2.灯具采用一体式散热结构,保证LED的有充足的散热,使灯具达到长时间的使用寿命。
- 3.面盖采用316L不锈钢镀钛工艺,灯体采用环保ACD12#高强度压铸铝,表面高端美国老虎粉体烤漆喷涂处理,以确保海边等高酸碱环境的使用。
- 4.玻璃采用8MM超白高强度钢化玻璃,保证灯具光输出的超高效率达90%以上和色温的准确性以及极强的抗冲击承重能力。
- 5.LED采用国际一线品牌美国CREE,超高亮度输出,光色一致性好,显色指数大于80以上(可选90以上)。
- 6.驱动模块采用国际一线品牌元器件,保证灯具稳定与故障的低概率。
- 7.灯具支持DMX512,1-10V,DALI,TRIAC,PWM调光控制,调光顺滑柔和。
- 8.配件:预埋件采用高强度环保ABS。

- 1.The products are self - developed with independent intellectual property rights. And LEDs are hidden deep in the bottom enables the lighting fixture with excellent anti-glare performance.
- 2.Integrated heat radiation structure design provides sufficient heat dissipation for the LED,thus the lights has long lifetime..
- 3.316L stainless steel surface cover with titanize treatment process,environmental ACD12# high strength die-casting aluminum lamp housing with imported American brand Tiger powder coating spray process,the high quality material make the light can be used in some place with high acids and bases like sea side.
- 4.Ultra clear and high strength 8mm tempered glass cover, ensure high luminous efficacy (90-95%) , outstanding accuracy of color temperature, and excellent impact resistance and rub resistance.
- 5.CREE brand as LED light source, ultra high lumen output, high light color uniformity and high CRI (Ra>80 or Ra>90).
- 6.Top quality driver, components and excellent circuit design ensures the product with stable quality and low failure rate.
- 7.Optional DMX512, 0/1-10V, DALI, TRIAC, PWM dimming function.
- 8.Accessory: high-impact durable ABS mounting sleeve.

### Product specifications

Item No.	WB2095R1*α-A3-Y	Item No.	WB2130R1*α-A3-Y
LED source	CREE	LED source	CREE
Beam angle	10°/20°/30°/40°/60°	Beam angle	10°/20°/30°/40°/60°
LED color	2200K/2700K/3000K/4000K/5000K/6000K	LED color	2200K/2700K/3000K/4000K/5000K/6000K
Power	1*2W	Power	3*2W
Input voltage	DC12V/DC24V H05RN-F-2*1.0mm² AC220~240V H05RN-F-3*0.75mm²	Input voltage	DC12V/DC24V H05RN-F-2*1.0mm² AC220~240V H05RN-F-3*0.75mm²
Operating temperature	-20°C~40°C	Operating temperature	-20°C~40°C
IK rate	05	IK rate	08
Luminance(lm)	Warm white=110lm/ Cool white=126lm	Luminance(lm)	Warm white=22lm/ Cool white=28lm
Dimmable support	Triac/PWM/0-10V/DALI/DMX512 (internal)	Dimmable support	Triac/PWM/0-10V/DALI/DMX512 (internal)

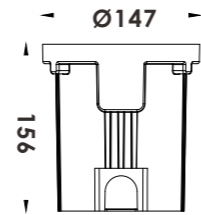
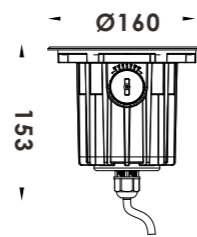


# 深防眩大功率LED埋地灯

## Depth Illuminant High Power LED Inground Light



WB2160R1\*α-A3-Y



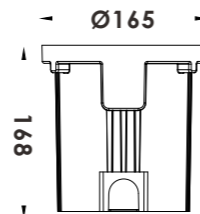
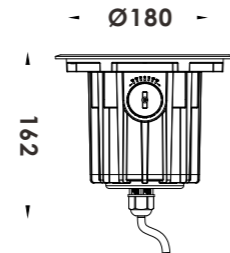
Mounting sleeve



147mm



WB2180R1\*α-A3-Y



Mounting sleeve



165mm

### 产品简介Product Introduction

- 1.拥有自主知识产权外观设计,LED深藏,具有优秀的防眩光性能。
  - 2.灯具采用一体式散热结构,保证LED的有充足的散热,使灯具达到长时间的使用寿命。
  - 3.面盖采用316L不锈钢镀钛工艺,灯体采用环保ACD12#高强度压铸铝,表面高端美国老虎粉体烤漆喷涂处理,以确保海边等高酸碱环境的使用。
  - 4.玻璃采用8MM超白高强度钢化玻璃,保证灯具光输出的超高效率达90%以上和色温的准确性以及极强的抗冲击承重能力。
  - 5.LED采用国际一线品牌美国CREE,超高亮度输出,光色一致性好,显色指数大于80以上(可选90以上)。
  - 6.驱动模块采用国际一线品牌元器件,保证灯具稳定与故障的低概率。
  - 7.灯具支持DMX512,1-10V,DALI,TRIAC,PWM调光控制,调光顺滑柔和。
  - 8.配件:预埋件采用高强度环保ABS。
- 1.The products are self - developed with independent intellectual property rights. And LEDs are hidden deep in the bottom enables the lighting fixture with excellent anti-glare performance.
  - 2.Integrated heat radiation structure design provides sufficient heat dissipation for the LED,thus the lights has long lifetime..
  - 3.316L stainless steel surface cover with titanize treatment process,environmental ACD12# high strength die-casting aluminum lamp housing with imported American brand Tiger powder coating spray process,the high quality material make the light can be used in some place with high acids and bases like sea side.
  - 4.Ultra clear and high strengthen 8mm tempered glass cover, ensure high luminous efficacy (90-95%) , outstanding accuracy of color temperature, and excellent impact resistance and rub resistance.
  - 5.CREE brand as LED light source, ultra high lumen output, high light color uniformity and high CRI (Ra>80 or Ra>90)..
  - 6.Top quality driver, components and excellent circuit design ensures the product with stable quality and low failure rate.
  - 7.Optional DMX512, 0/1-10V, DALI, TRIAC, PWM dimming function.
  - 8.Accessory: high-impact durable ABS mounting sleeve.

### Product specifications

Item No.	WB2160R1*α-A3-Y	Item No.	WB2180R1*α-A3-Y
LED source	CREE	LED source	CREE
Beam angle	10°/20°/30°/40°/60°	Beam angle	10°/20°/30°/40°/60°
LED color	2200K/2700K/3000K/4000K/5000K/6000K	LED color	2200K/2700K/3000K/4000K/5000K/6000K
Power	6*2W	Power	9*2W
Input voltage	DC12V/DC24V H07RN-F-2*1.0mm <sup>2</sup> AC220~240V H07RN-F-3*1.0mm <sup>2</sup>	Input voltage	DC12V/DC24V H07RN-F-2*1.0mm <sup>2</sup> AC220~240V H07RN-F-3*1.0mm <sup>2</sup>
Operating temperature	-20℃~40℃	Operating temperature	-20℃~40℃
IK rate	05	IK rate	08
Luminance(lm)	Warm white=110lm/ Cool white=126lm	Luminance(lm)	Warm white=22lm/ Cool white=28lm
Dimmable support	Triac/PWM/0-10V/DALI/DMX512 (internal)	Dimmable support	Triac/PWM/0-10V/DALI/DMX512 (internal)

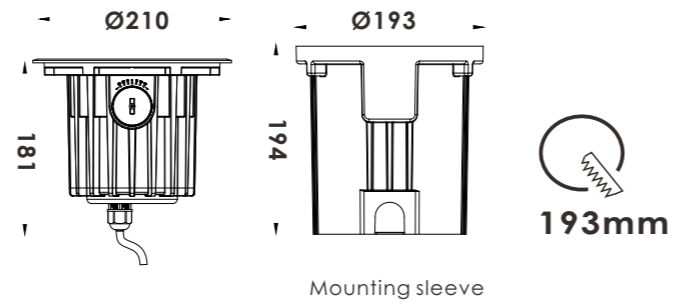


# 深防眩大功率LED埋地灯

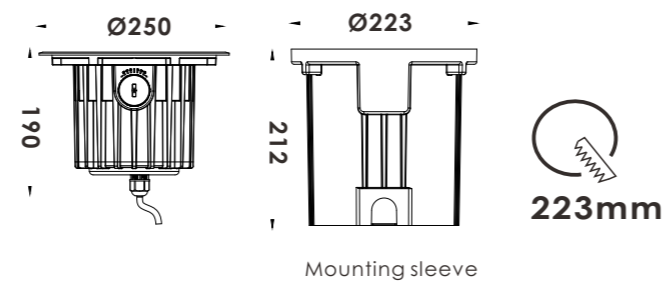
## Depth Illuminant High Power LED Inground Light



WB2210R1\*α-A3-Y



WB2250R1\*α-A3-Y



### 产品简介Product Introduction

- 1.拥有自主知识产权外观设计,LED深藏,具有优秀的防眩光性能。
  - 2.灯具采用一体式散热结构,保证LED的有充足的散热,使灯具达到长时间的使用寿命。
  - 3.面盖采用316L不锈钢镀钛工艺,灯体采用环保ACD12#高强度压铸铝,表面高端美国老虎粉体烤漆喷涂处理,以确保海边等高酸碱环境的使用。
  - 4.玻璃采用8MM超白高强度钢化玻璃,保证灯具光输出的超高效率达90%以上和色温的准确性以及极强的抗冲击承重能力。
  - 5.LED采用国际一线品牌美国CREE,超高亮度输出,光色一致性好,显色指数大于80以上(可选90以上)。
  - 6.驱动模块采用国际一线品牌或元器件,保证灯具稳定与故障的低概率。
  - 7.灯具支持DMX512,1-10V,DALI,TRIAC,PWM调光控制,调光顺滑柔和。
  - 8.配件:预埋件采用高强度环保ABS。
- 1.The products are self-developed with independent intellectual property rights. And LEDs are hidden deep in the bottom enables the lighting fixture with excellent anti-glare performance.
- 2.Integrated heat radiation structure provides sufficient heat dissipation for the LED,thus the lights has long lifetime..
- 3.316L stainless steel surface cover with titanize treatment process,environmental ACD12# high strength die-casting aluminum lamp housing with imported American brand Tiger powder coating spray process,the high quality material make the light can be used in some place with high acids and bases like sea side.
- 4.Ultra clear and high strength 8mm tempered glass cover, ensure high luminous efficacy (90-95%), outstanding accuracy of color temperature, and excellent impact resistance and rub resistance.
- 5.CREE brand as LED light source, ultra high lumen output, high light color uniformity and high CRI (Ra>80 or Ra>90)..
- 6.Top quality driver, components and excellent circuit design ensures the product with stable quality and low failure rate.
- 7.Optional DMX512, 0/1-10V, DALI, TRIAC, PWM dimming function.
- 8.Accessory: high-impact durable ABS mounting sleeve.

### Product specifications

Item No.	WB2210R1*α-A3-Y	Item No.	WB2250R1*α-A3-Y
LED source	CREE	LED source	CREE
Beam angle	10°/20°/30°/40°/60°	Beam angle	10°/20°/30°/40°/60°
LED color	2200K/2700K/3000K/4000K/5000K/6000K	LED color	2200K/2700K/3000K/4000K/5000K/6000K
Power	12*2W	Power	12*2W/18*2W
Input voltage	DC12V/DC24V H07RN-F-2*1.0mm <sup>2</sup> AC220~240V H07RN-F-3*1.0mm <sup>2</sup>	Input voltage	DC12V/DC24V H07RN-F-2*1.0mm <sup>2</sup> AC220~240V H07RN-F-3*1.0mm <sup>2</sup>
Operating temperature	-20°C~40°C	Operating temperature	-20°C~40°C
IK rate	10	IK rate	10
Luminance(lm)	Warm white= lm/ Cool white= lm	Luminance(lm)	Warm white= lm/ Cool white= lm
Dimmable support	Triac/PWM/0-10V/DALI/DMX512 (internal)	Dimmable support	Triac/PWM/0-10V/DALI/DMX512 (internal)

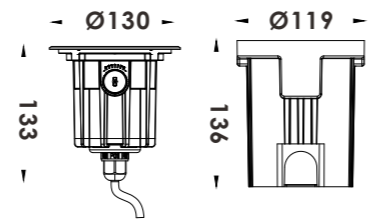


# 深防眩COB LED埋地灯

## Depth Illuminant COB LED Inground Light



WB2130R1\*α-B3-Y



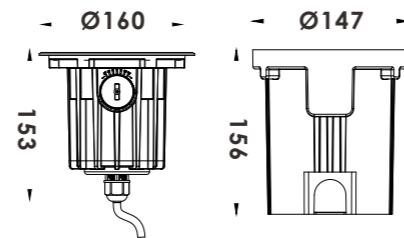
Mounting sleeve



119mm



WB2160R1\*α-B3-Y



Mounting sleeve



147mm

### 产品简介Product Introduction

- 1.拥有自主知识产权外观设计,LED深藏,具有优秀的防眩光性能。
  - 2.灯具采用一体式散热结构,保证LED的有充足的散热,使灯具达到长时间的使用寿命。
  - 3.面盖采用316L不锈钢镀钛工艺,灯体采用环保ACD12#高强度压铸铝,表面高端美国老虎粉体烤漆喷涂处理,以确保海边等高酸碱环境的使用。
  - 4.玻璃采用8MM超白高强度钢化玻璃,保证灯具光输出的超高效率达90%以上和色温的准确性以及极强的抗冲击承重能力。
  - 5.LED采用国际一线品牌美国CREE,超高亮度输出,光色一致性好,显色指数大于80以上(可选90以上)。
  - 6.驱动模块采用国际一线品牌或元器件,保证灯具稳定与故障的低概率。
  - 7.灯具支持DMX512,1-10V,DALI,TRIAC,PWM调光控制,调光顺滑柔和。
  - 8.配件:预埋件采用高强度环保ABS。
- 1.The products are self - developed with independent intellectual property rights. And LEDs are hidden deep in the bottom enables the lighting fixture with excellent anti-glare performance.
  - 2.Integrated heat radiation structure design provides sufficient heat dissipation for the LED,thus the lights has long lifetime..
  - 3.316L stainless steel surface cover with titanize treatment process,environmental ACD12# high strength die-casting aluminum lamp housing with imported American brand Tiger powder coating spray process,the high quality material make the light can be used in some place with high acids and bases like sea side.
  - 4.Ultra clear and high strengthen 8mm tempered glass cover, ensure high luminous efficacy (90-95%) , outstanding accuracy of color temperature, and excellent impact resistance and rub resistance.
  - 5.CREE brand as LED light source, ultra high lumen output, high light color uniformity and high CRI (Ra>80 or Ra>90)..
  - 6.Top quality driver, components and excellent circuit design ensures the product with stable quality and low failure rate.
  - 7.Optional DMX512, 0/1-10V, DALI, TRIAC, PWM dimming function.
  - 8.Accessory: high-impact durable ABS mounting sleeve.

### Product specifications

Item No.	WB2130R1*α-B3-Y	Item No.	WB2160R1*α-B3-Y
LED source	CREE	LED source	CREE
Beam angle	18°/25°/40°/60°	Beam angle	18°/25°/40°/60°
LED color	2700K/3000K/4000K/6000K	LED color	2700K/3000K/4000K/6000K
Power	1*6W	Power	1*12W
Input voltage	DC12V/DC24V H05RN-F-2*1.0mm <sup>2</sup> AC220~240V H05RN-F-3*1.0mm <sup>2</sup>	Input voltage	DC12V/DC24V H07RN-F-2*1.0mm <sup>2</sup> AC220~240V H07RN-F-3*1.0mm <sup>2</sup>
Operating temperature	-20°C~40°C	Operating temperature	-20°C~40°C
IK rate	08	IK rate	08
Luminance(lm)	Warm white= lm/ Cool white= lm	Luminance(lm)	Warm white= lm/ Cool white= lm
Dimmable support	Triac/PWM/0-10V/DALI/DMX512 (internal)	Dimmable support	Triac/PWM/0-10V/DALI/DMX512 (internal)



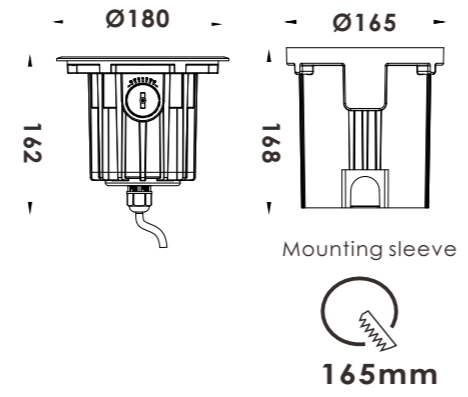


# 深防眩COB LED埋地灯

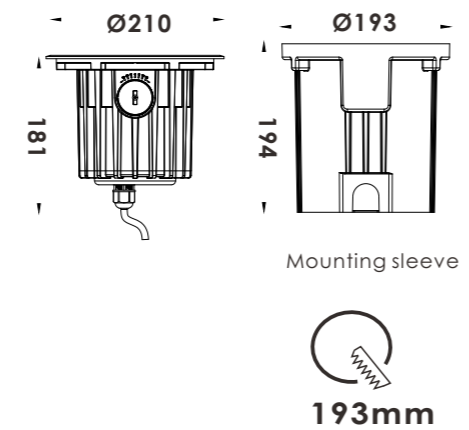
## Depth Illuminant COB LED Inground Light



WB2180R1\*α-B3-Y



WB2210R1\*α-B3-Y



### 产品简介Product Introduction

- 1.拥有自主知识产权外观设计,LED深藏,具有优秀的防眩光性能。
  - 2.灯具采用一体式散热结构,保证LED的有充足的散热,使灯具达到长时间的使用寿命。
  - 3.面盖采用316L不锈钢镀钛工艺,灯体采用环保ACD12#高强度压铸铝,表面高端美国老虎粉烤漆喷涂处理,以确保海边等高酸碱环境的使用。
  - 4.玻璃采用8MM超白高强度钢化玻璃,保证灯具光输出的超高效率达90%以上和色温的准确性以及极强的抗冲击承重能力。
  - 5.LED采用国际一线品牌美国CREE,超高亮度输出,光色一致性好,显色指数大于80以上(可选90以上)。
  - 6.驱动模块采用国际一线品牌元器件,保证灯具稳定与故障的低概率。
  - 7.灯具支持DMX512,1-10V,DALI,TRIAC,PWM调光控制,调光顺滑柔和。
  - 8.配件:预埋件采用高强度环保ABS。
- 1.The products are self - developed with independent intellectual property rights. And LEDs are hidden deep in the bottom enables the lighting fixture with excellent anti-glare performance.
- 2.Integrated heat radiation structure design provides sufficient heat dissipation for the LED,thus the lights has long lifetime..
- 3.316L stainless steel surface cover with titanize treatment process,environmental ACD12# high strength die-casting aluminum lamp housing with imported American brand Tiger powder coating spray process,the high quality material make the light can be used in some place with high acids and bases like sea side.
4. Ultra clear and high strength then 8mm tempered glass cover, ensure high luminous efficacy (90-95%) , outstanding accuracy of color temperature, and excellent impact resistance and rub resistance.
- 5.CREE brand as LED light source, ultra high lumen output, high light color uniformity and high CRI (Ra>80 or Ra>90)..
- 6.Top quality driver, components and excellent circuit design ensures the product with stable quality and low failure rate.
- 7.Optional DMX512, 0/1-10V, DALI, TRIAC, PWM dimming function.
- 8.Accessory: high-impact durable ABS mounting sleeve.

Product specifications			
Item No.	WB2180R1*α-B3-Y	Item No.	WB2210R1*α-B3-Y
LED source	CREE	LED source	CREE
Beam angle	18°/25°/40°/60°	Beam angle	18°/25°/40°/60°
LED color	2700K/3000K/4000K/6000K	LED color	2700K/3000K/4000K/6000K
Power	1*18W	Power	1*24W
Input voltage	DC12V/DC24V H07RN-F-2*1.0mm <sup>2</sup> AC1220~240V H07RN-F-3*1.0mm <sup>2</sup>	Input voltage	DC12V/DC24V H07RN-F-2*1.0mm <sup>2</sup> AC220~240V H07RN-F-3*1.0mm <sup>2</sup>
Operating temperature	-20°C~40°C	Operating temperature	-20°C~40°C
IK rate	08	IK rate	10
Luminance(lm)	Warm white= lm/ Cool white= lm	Luminance(lm)	Warm white= lm/ Cool white= lm
Dimmable support	Triac/PWM/0-10V/DALI/DMX512 (internal)	Dimmable support	Triac/PWM/0-10V/DALI/DMX512 (internal)

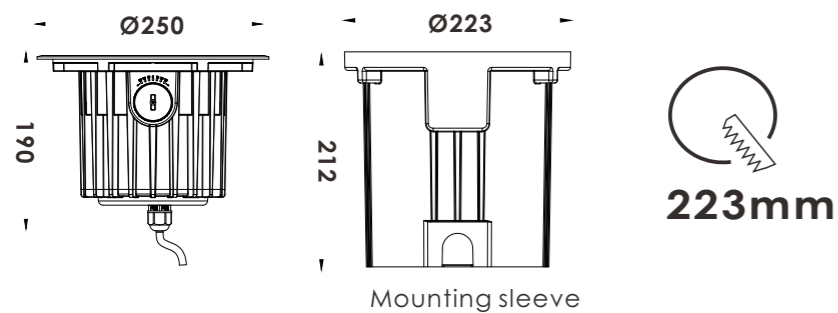


# 深防眩COB LED埋地灯

## Depth Illuminant COB LED Inground Light



WB2250R1\*a-B3-Y



### 产品简介Product Introduction

- 1.拥有自主知识产权外观设计,LED深藏,具有优秀的防眩光性能。
- 2.灯具采用一体式散热结构,保证LED的有充足的散热,使灯具达到长时间的使用寿命。
- 3.面盖采用316L不锈钢镀钛工艺,灯体采用环保ACD12#高强度压铸铝,表面高端美国老虎粉烤漆喷涂处理,以确保海边等高酸碱环境的使用。
- 4.玻璃采用8MM超白高强度钢化玻璃,保证灯具光输出的超高效率达90%以上和色温的准确性以及极强的抗冲击承重能力。
- 5.LED采用国际一线品牌美国CREE,超高亮度输出,光色一致性好,显色指数大于80以上(可选90以上)。
- 6.驱动模块采用国际一线品牌或元器件,保证灯具稳定与故障的低概率。
- 7.灯具支持DMX512,1-10V,DALI,TRIAC,PWM调光控制,调光顺滑柔和。
- 8.配件:预埋件采用高强度环保ABS。

- 1.The products are self - developed with independent intellectual property rights. And LEDs are hidden deep in the bottom enables the lighting fixture with excellent anti-glare performance.
- 2.Integrated heat radiation structure design provides sufficient heat dissipation for the LED,thus the lights has long lifetime.
- 3.316L stainless steel surface cover with titanize treatment process,environmental ACD12# high strength die-casting aluminum lamp housing with imported American brand Tiger powder coating spray process, the high quality material make the light can be used in some place with high acids and bases like sea side.
4. Ultra clear and high strength 8mm tempered glass cover, ensure high luminous efficacy (90-95%) , outstanding accuracy of color temperature, and excellent impact resistance and rub resistance.
- 5.CREE brand as LED light source, ultra high lumen output, high light color uniformity and high CRI (Ra>80 or Ra>90)..
- 6.Top quality driver, components and excellent circuit design ensures the product with stable quality and low failure rate.
- 7.Optional DMX512, 0/1-10V, DALI, TRIAC, PWM dimming function.
- 8.Accessory: high-impact durable ABS mounting sleeve.

### Product specifications

Item No.	WB2250R1*a-B3-Y
LED source	CREE
Beam angle	18°25°/40°/60°
LED color	2700K/3000K/4000K/6000K
Power	1*33W
Input voltage	DC12V/DC24V H07RN-F-2*1.0mm <sup>2</sup> AC220~240V H07RN-F-3*1.0mm <sup>2</sup>
Operating temperature	-20°C~40°C
IK rate	10
Luminance(lm)	Warm white= lm/ Cool white= lm
Dimmable support	Triac/PWM/0-10V/DALI/DMX512 (internal)

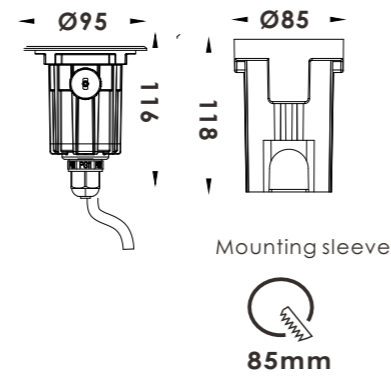


# COB LED偏光埋地灯

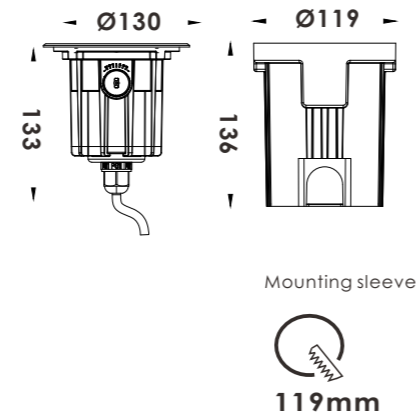
## COB LED Asymmetric Inground Light



WB2095R7\*α-B5-Y



WB2130R7\*α-B5-Y

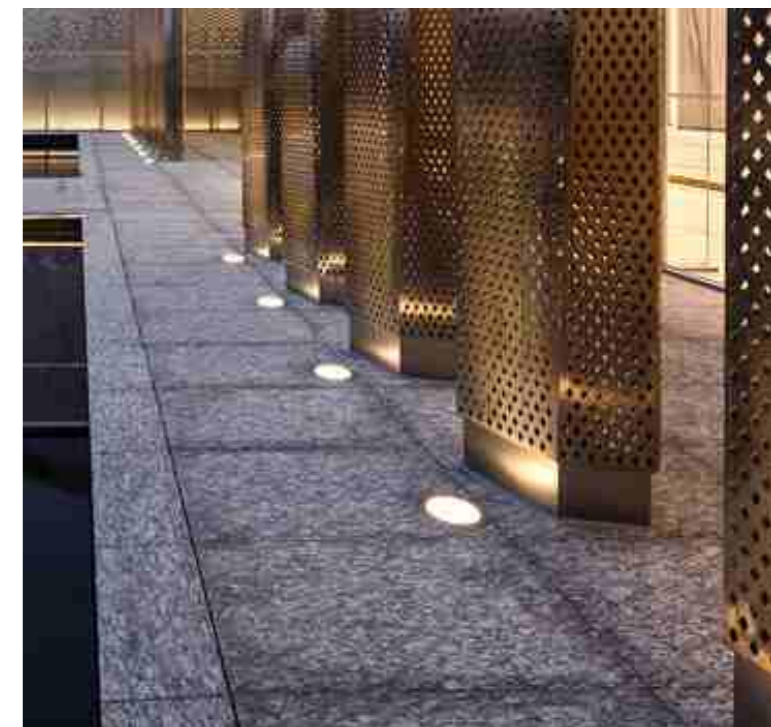


### 产品简介Product Introduction

- 1.拥有自主知识产权外观设计,具有优秀的防眩光性能,优秀的偏光洗墙效果。
  - 2.灯具采用一体式散热结构,保证LED的有充足的散热,使灯具达到长时间的使用寿命。
  - 3.面盖采用316L不锈钢镀钛工艺,灯体采用环保ACD12#高强度压铸铝,表面高端美国老虎粉体烤漆喷涂处理,以确保海边等高酸碱环境的使用。
  - 4.玻璃采用8MM超白高强度钢化玻璃,保证灯具光输出的超高效率达90%以上和色温的准确性以及极强的抗冲击承重能力。
  - 5.LED采用国际一线品牌美国CREE,超高亮度输出,光色一致性好,显色指数大于80以上(可选90以上)。
  - 6.驱动模块采用国际一线品牌或元器件,保证灯具稳定与故障的低概率。
  - 7.灯具支持DMX512,1-10V,DALI,TRIAC,PWM调光控制,调光顺滑柔和。
  - 8.配件:预埋件采用高强度环保ABS。
- 1.The products are self - developed with independent intellectual property rights and internal anti glare.
  - 2.Integrated heat radiation structure design provides sufficient heat dissipation for the LED, thus the lights has long lifetime.
  - 3.316L stainless steel surface cover with titanize treatment process,environmental ACD12# high strength die-casting aluminum lamp housing with imported American brand Tiger powder coating spray process,the high quality material make the light can be used in some place with high acids and bases like sea side.
  - 4.Ultra clear and highly strengthen 8mm tempered glass cover, ensure high luminous efficacy (90-95%) , outstanding accuracy of color temperature, and excellent impact resistance and rub resistance.
  - 5.CREE brand as LED light source, ultra high lumen output, high light color uniformity and high CRI (Ra>80 or Ra>90).
  - 6.Top quality driver, components and excellent circuit design ensures the product with stable quality and low failure rate.
  - 7.Optional DMX512, 0/1-10V, DALI, TRIAC, PWM dimming function.
  - 8.Accessory: high-impact durable ABS mounting sleeve.

### Product specifications

Item No.	WB2095R7*α-B5-Y	Item No.	WB2130R7*α-B5-Y
LED source	CREE	LED source	CREE
Beam angle	20°/30°	Beam angle	20°/30°
LED color	2700K/3000K/4000K/6000K	LED color	2700K/3000K/4000K/6000K
Power	1*5W	Power	1*8W
Input voltage	DC12V/DC24V H05RN-F-2*1.0mm <sup>2</sup> AC220~240V H05RN-F-3*0.75mm <sup>2</sup>	Input voltage	DC12V/DC24V H07RN-F-2*1.0mm <sup>2</sup> AC220~240V H05RN-F-3*1.0mm <sup>2</sup>
Operating temperature	-20°C~40°C	Operating temperature	-20°C~40°C
IK rate	08	IK rate	08
Luminance(lm)	Warm white= lm/ Cool white= lm	Luminance(lm)	Warm white= lm/ Cool white= lm
Dimmable support	Triac/PWM/0-10V/DALI/DMX512 (internal)	Dimmable support	Triac/PWM/0-10V/DALI/DMX512 (internal)

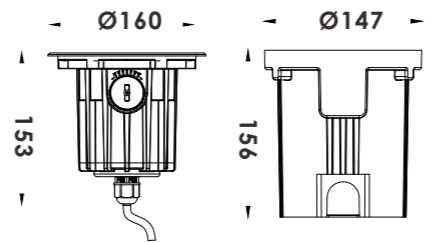


# COB LED偏光埋地灯

## COB LED Asymmetric Inground Light



WB2160R7\*α-B5-Y



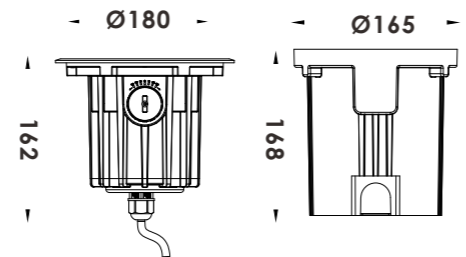
Mounting sleeve



147mm



WB2180R7\*α-B5-Y



Mounting sleeve



165mm

### 产品简介Product Introduction

- 1.拥有自主知识产权外观设计,具有优秀的防眩光性能,优秀的偏光洗墙效果。
  - 2.灯具采用一体式散热结构,保证LED的有充足的散热,使灯具达到长时间的使用寿命。
  - 3.面盖采用316L不锈钢镀钛工艺,灯体采用环保ACD12#高强度压铸铝,表面高端美国老虎粉体烤漆喷涂处理,以确保海边等高酸碱环境的使用。
  - 4.玻璃采用8MM超白高强度钢化玻璃,保证灯具光输出的超高效率达90%以上和色温的准确性以及极强的抗冲击承重能力。
  - 5.LED采用国际一线品牌美国CREE,超高亮度输出,光色一致性好,显色指数大于80以上(可选90以上)。
  - 6.驱动模块采用国际一线品牌或元器件,保证灯具稳定与故障的低概率。
  - 7.灯具支持DMX512,1-10V,DALI,TRIAC,PWM调光控制,调光顺滑柔和。
  - 8.配件:预埋件采用高强度环保ABS。
- 1.The products are self - developed with independent intellectual property rights and internal anti glare.
  - 2.Integrated heat radiation structure design provides sufficient heat dissipation for the LED, thus the lights has long lifetime.
  - 3.316L stainless steel surface cover with titanize treatment process,environmental ACD12# high strength die-casting aluminum lamp housing with imported American brand Tiger powder coating spray process,the high quality material make the light can be used in some place with high acids and bases like sea side.
  4. Ultra clear and highly strengthen 8mm tempered glass cover, ensure high luminous efficacy (90-95%) , outstanding accuracy of color temperature, and excellent impact resistance and rub resistance.
  - 5.CREE brand as LED light source, ultra high lumen output, high light color uniformity and high CRI (Ra>80 or Ra>90).
  - 6.Top quality driver, components and excellent circuit design ensures the product with stable quality and low failure rate.
  - 7.Optional DMX512, 0/1-10V, DALI, TRIAC, PWM dimming function.
  - 8.Accessory: high-impact durable ABS mounting sleeve.

### Product specifications

Item No.	WB2160R7*α-B5-Y	Item No.	WB2180R7*α-B5-Y
LED source	CREE	LED source	CREE
Beam angle	20°/30°	Beam angle	20°/30°
LED color	2700K/3000K/4000K/6000K	LED color	2700K/3000K/4000K/6000K
Power	1*12W	Power	1*18W
Input voltage	DC12V/DC24V H05RN-F-2*1.0mm <sup>2</sup> AC220~240V H07RN-F-3*1.0mm <sup>2</sup>	Input voltage	DC12V/DC24V H07RN-F-2*1.0mm <sup>2</sup> AC220~240V H07RN-F-3*1.0mm <sup>2</sup>
Operating temperature	-20°C~40°C	Operating temperature	-20°C~40°C
IK rate	08	IK rate	08
Luminance(lm)	Warm white= lm/ Cool white= lm	Luminance(lm)	Warm white= lm/ Cool white= lm
Dimmable support	Triac/PWM/0-10V/DALI/DMX512 (internal)	Dimmable support	Triac/PWM/0-10V/DALI/DMX512 (internal)

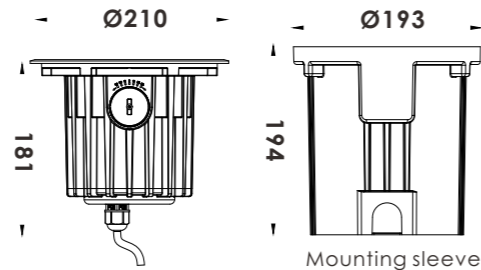


# COB LED偏光埋地灯

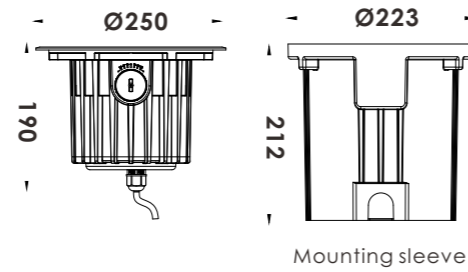
## COB LED Asymmetric Inground Light



WB2210R7\*α-B5-Y



WB2250R7\*α-B5-Y



### 产品简介Product Introduction

- 1.拥有自主知识产权外观设计,具有优秀的防眩光性能,优秀的偏光洗墙效果。
- 2.灯具采用一体式散热结构,保证LED的有充足的散热,使灯具达到长时间的使用寿命。
- 3.面盖采用316L不锈钢镀钛工艺,灯体采用环保ACD12#高强度压铸铝,表面高端美国老虎粉体烤漆喷涂处理,以确保海边等高酸碱环境的使用。
- 4.玻璃采用8MM超白高强度钢化玻璃,保证灯具光输出的超高效率达90以上和色温的准确性以及极强的抗冲击承重能力。
- 5.LED采用国际一线品牌美国CREE,超高亮度输出,光色一致性好,显色指数大于80以上(可选90以上)。
- 6.驱动模块采用国际一线品牌或元器件,保证灯具稳定与故障的低概率。
- 7.灯具支持DMX512,1-10V,DALI,TRIAC,PWM调光控制,调光顺滑柔和。
- 8.配件:预埋件采用高强度环保ABS。

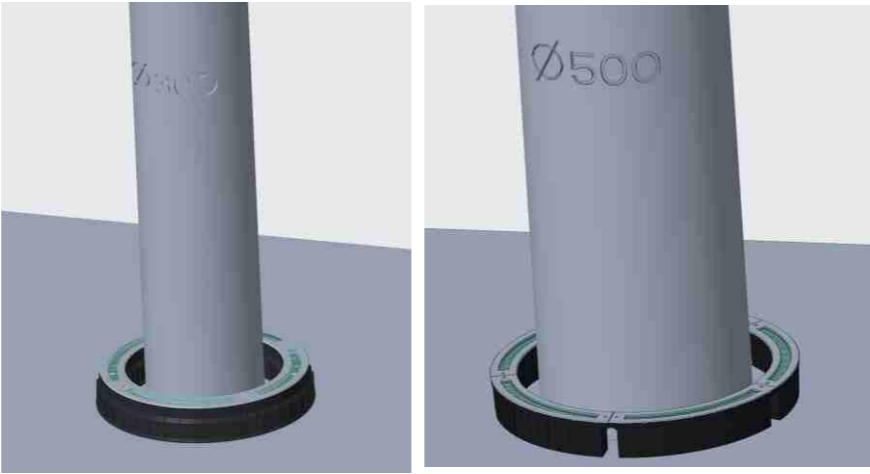
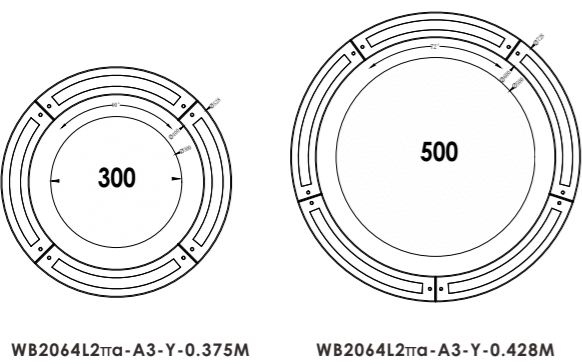
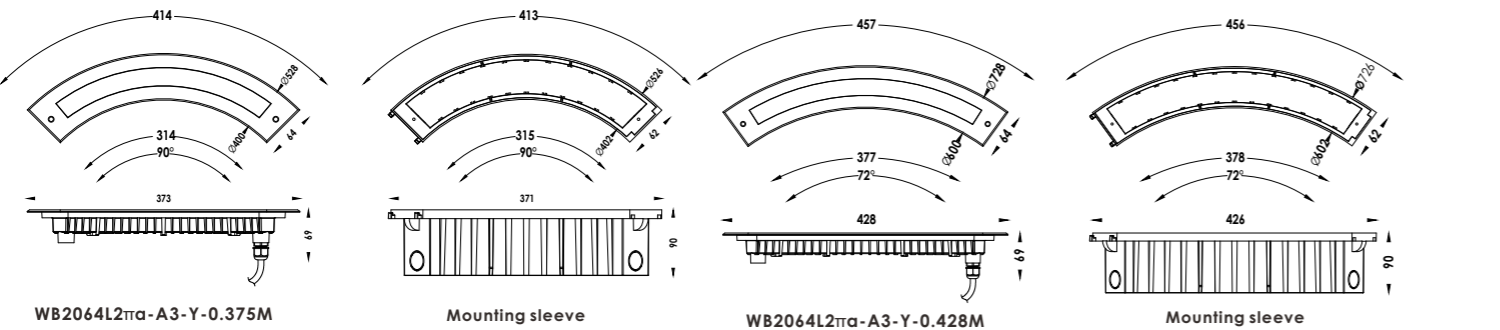
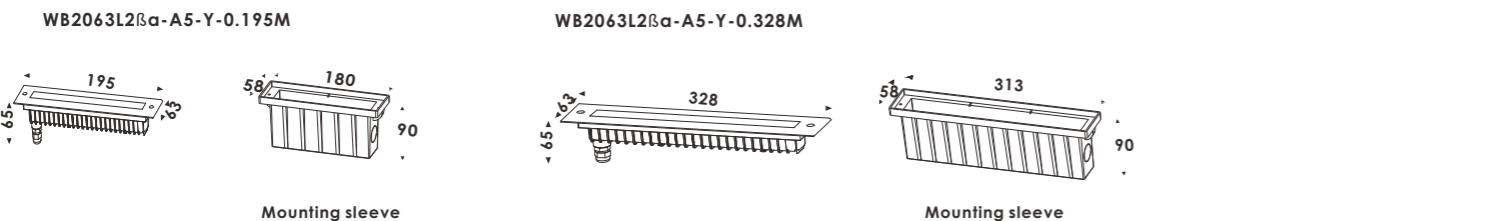
- 1.The products are self - developed with independent intellectual property rights and internal anti glare.
- 2.Integrated heat radiation structure design provides sufficient heat dissipation for the LED, thus the lights has long lifetime.
- 3.316L stainless steel surface cover with titanize treatment process,environmental ACD12# high strength die-casting aluminum lamp housing with imported American brand Tiger powder coating spray process,the high quality material make the light can be used in some place with high acids and bases like sea side.
- 4.Ultra clear and highly strengthen 8mm tempered glass cover, ensure high luminous efficacy (90-95%) , outstanding accuracy of color temperature, and excellent impact resistance and rub resistance.
- 5.CREE brand as LED light source, ultra high lumen output, high light color uniformity and high CRI (Ra>80 or Ra>90).
- 6.Top quality driver, components and excellent circuit design ensures the product with stable quality and low failure rate.
- 7.Optional DMX512, 0/1-10V, DALI, TRIAC, PWM dimming function.
- 8.Accessory: high-impact durable ABS mounting sleeve.

Product specifications			
Item No.	WB2210R7*α-B5-Y	Item No.	WB2250R7*α-B5-Y
LED source	CREE	LED source	CREE
Beam angle	20°/30°	Beam angle	20°/30°
LED color	2700K/3000K/4000K/6000K	LED color	2700K/3000K/4000K/6000K
Power	1*25W	Power	1*30W
Input voltage	DC12V/DC24V H07RN-F-2*1.0mm <sup>2</sup> AC220~240V H07RN-F-3*1.0mm <sup>2</sup>	Input voltage	DC12V/DC24V H07RN-F-2*1.0mm <sup>2</sup> AC220~240V H07RN-F-3*1.0mm <sup>2</sup>
Operating temperature	-20°C~40°C	Operating temperature	-20°C~40°C
IK rate	08	IK rate	08
Luminance(lm)	Warm white= lm/ Cool white= lm	Luminance(lm)	Warm white= lm/ Cool white= lm
Dimmable support	Triac/PWM/0-10V/DALI/DMX512 (internal)	Dimmable support	Triac/PWM/0-10V/DALI/DMX512 (internal)



# 大功率LED线条埋地灯/抱树埋地灯/抱柱埋地灯

## High Power LED Linear Inground light



### 产品简介Product Introduction

- 1.拥有自主知识产权外观设计,具有优秀的防眩光性能,优秀的偏光洗墙效果。
  - 2.灯具采用一体式散热结构,保证LED的有充足的散热,使灯具达到长时间的使用寿命。
  - 3.面盖采用316L不锈钢镀钛工艺,灯体采用环保ACD12#高强度压铸铝,表面体烤漆喷涂处理。
  - 4.玻璃采用8MM超白高强度钢化玻璃,保证灯具光输出的超高效率达90%以上和色温的准确性以及极强的抗冲击承重能力。
  - 5.LED采用国际一线品牌美国CREE,超高亮度输出,光色一致性好,显色指数大于80以上(可选90以上)。
  - 6.驱动模块采用国际一线品牌或元器件,保证灯具稳定与故障的低概率。
  - 7.灯具支持DMX512,1-10V,DALI,TRIAC,PWM调光控制,调光顺滑柔和。
  - 8.配件:预埋件采用高强度环保ABS。
- 1.The products are self - developed with independent intellectual property rights and internal anti glare.
  - 2.Adopt integrated body design, could be fully heat dissipation and fully ensure the stability and long lifespan of led.
  - 3.316L stainless steel surface cover with titanize treatment process,environmental ACD12# high strength die-casting aluminum lamp housing
  - 4.Ultra clear and highly strengthen 8mm tempered glass cover, ensure high luminous efficacy (90-95%) , outstanding accuracy of color temperature, and excellent impact resistance and rub resistance.
  - 5.CREE brand as LED light source, ultra high lumen output, high light color uniformity and high CRI (Ra>80 or Ra>90).
  - 6.Top quality driver, components and excellent circuit design ensures the product with stable quality and low failure rate.
  - 7.Optional DMX512, 0/1-10V, DALI, TRIAC, PWM dimming function.
  - 8.Accessory: high-impact durable ABS mounting sleeve.

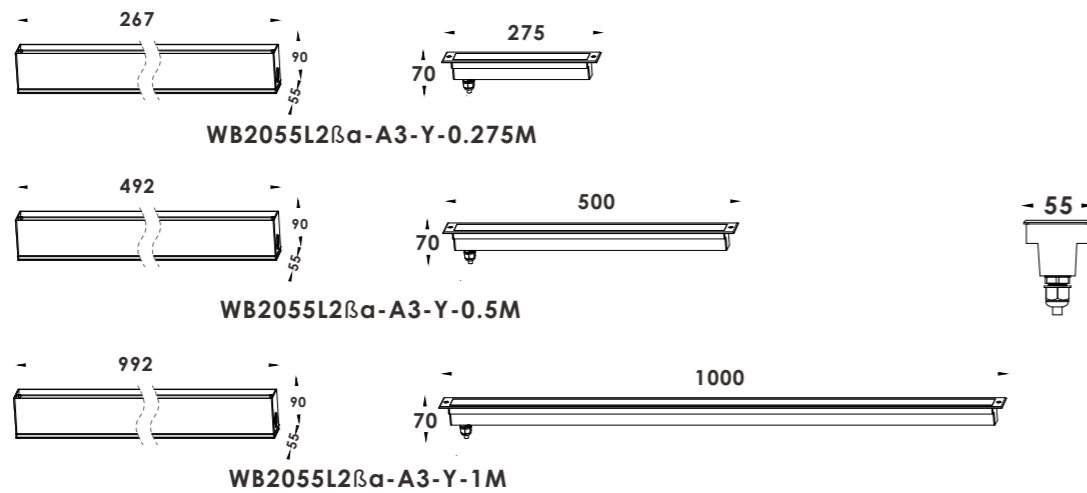
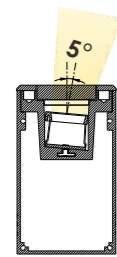
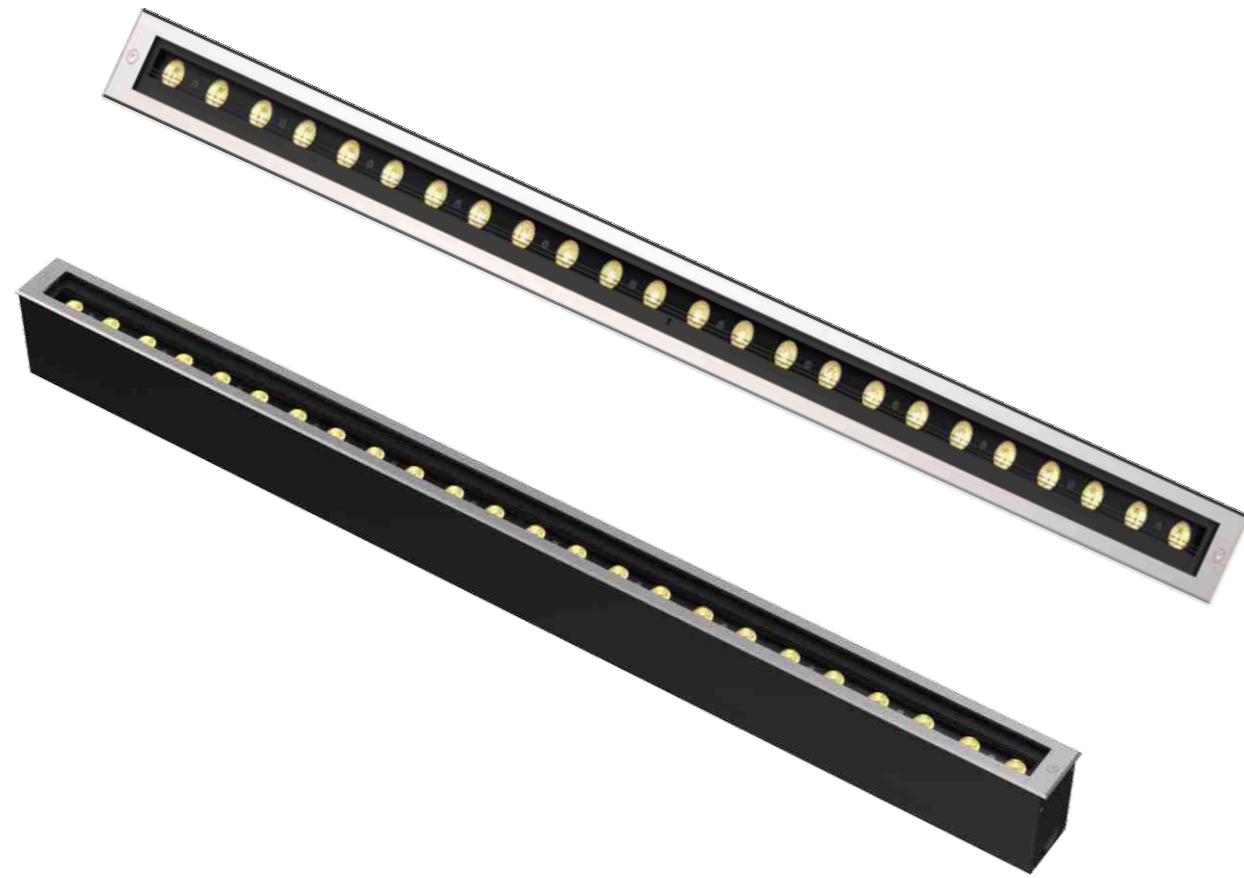
### Product specifications

Item No.	WB2063L2Ba-A5-Y-0.195M	Item No.	WB2064L3Tta-A3-Y
LED source	CREE XP-E2	LED source	CREE XP-E2
Beam angle	20°/30°/40°/60°/35   45°	Beam angle	20°/30°/40°/60°/35   45°
LED color	2200K/2700K/3000K/4000K/5000K/6000K	LED color	2200K/2700K/3000K/4000K/5000K/6000K
Power	6*3W	Power	9*3W
Input voltage	DC12V/DC24V H05RN-F-2*1.0mm² AC100~240V H05RN-F-3*0.75mm²	Input voltage	DC12V/DC24V H07RN-F-2*1.0mm² AC100~240V H05RN-F-3*0.75mm²
Operating temperature	-20°C~40°C	Operating temperature	-20°C~40°C
IK rate	08	IK rate	08
Luminance(lm)	Warm white=110lm/ Cool white=126lm	Luminance(lm)	Warm white=lm
Dimmable support	Triac/PWM/0-10V/DALI/DMX512	Dimmable support	Triac/PWM/0-10V/DALI/DMX512



# 大功率LED线条灯

## High Power LED Linear Inground light



### 产品简介Product Introduction

- 1.拥有自主知识产权外观设计,LED深藏,具有优秀的防眩光性能,优秀的偏光洗墙效果。
  - 2.灯具采用一体式散热结构,保证LED的有充足的散热,使灯具达到长时间的使用寿命。
  - 3.面盖采用316L不锈钢镀钛工艺,灯体采用环保ACD12#高强度压铸铝,表面高端美国老虎粉体烤漆喷涂处理,以确保海边等高酸碱环境的使用。
  - 4.玻璃采用8MM超白高强度钢化玻璃,保证灯具光输出的超高效率达90%以上和色温的准确性以及极强的抗冲击承重能力。
  - 5.LED采用国际一线品牌美国CREE,超高亮度输出,光色一致性好,显色指数大于80以上(可选90以上)。
  - 6.驱动模块采用国际一线品牌或元器件,保证灯具稳定与故障的低概率。
  - 7.灯具支持DMX512,1-10V,DALI,TRIAC,PWM调光控制,调光顺滑柔和。
  - 8.配件:预埋件采用6063航空铝,进口粉体喷涂烤漆。
- 1.The products are self - developed with independent intellectual property rights and internal anti glare.
  - 2.Adopt integrated body design, could be fully heat dissipation and fully ensure the stability and long lifespan of led.
  - 3.Front ring of luminaire made of Tetanizing 316L stainless steel while lamp housing made of environmental and high tensile ACD12# die-casting aluminum, and the surface of lamp housing is with American Tiger Powder Paint Treatment, suitable for high-acid and alkali environments use.
  - 4.Ultra clear and highly strengthen 8mm tempered glass cover, ensure high luminous efficacy (90-95%) , outstanding accuracy of color temperature, and excellent impact resistance and rub resistance.
  - 5.CREE brand as LED light source, ultra high lumen output, high light color uniformity and high CRI (Ra>80 or Ra>90).
  - 6.Top quality driver, components and excellent circuit design ensures the product with stable quality and low failure rate.
  - 7.Optional DMX512, 0/1-10V, DALI, TRIAC, PWM dimming function.
  - 8.Accessory: 6063# aluminum mounting sleeve.

### Product specifications

Item No.	WB2055L2βa-A3-Y-1M
LED source	CREE
Beam angle	10°/20°30°/40°/60°/35   45°
LED color	2200K/2700K/3000K/4000K/5000K/6000K
Power	24*1.5W
Input voltage	DC12V/DC24V H07RN-F-2*1.0mm <sup>2</sup> AC100~240V H07RN-F-3*0.75mm <sup>2</sup>
Operating temperature	-20°C~40°C
IK rate	08
Luminance(lm)	Warm white=1568lm/ Cool white= 1986lm
Dimmable support	Triac/PWM/0-10V/DALI/DMX512



# 大功率LED线条灯

## High Power LED Linear Inground Light

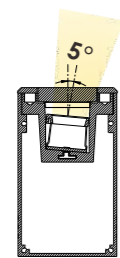


### 产品简介Product Introduction

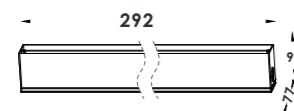
- 1.拥有自主知识产权外观设计,LED深藏,具有优秀的防眩光性能,优秀的偏光洗墙效果。
  - 2.灯具采用一体式散热结构,保证LED的有充足的散热,使灯具达到长时间的使用寿命。
  - 3.面盖采用316L不锈钢镀钛工艺,灯体采用环保ACD12#高强度压铸铝,表面高端美国老虎粉体烤漆喷涂处理,以确保海边等高酸碱环境的使用。
  - 4.玻璃采用8MM超白高强度钢化玻璃,保证灯具光输出的超高效率达90%以上和色温的准确性以及极强的抗冲击承重能力。
  - 5.LED采用国际一线品牌美国CREE,超高亮度输出,光色一致性好,显色指数大于80以上(可选90以上)。
  - 6.驱动模块采用国际一线品牌元器件,保证灯具稳定与故障的低概率。
  - 7.灯具支持DMX512,1-10V,DALI,TRIAC,PWM调光控制,调光顺滑柔和。
  - 8.配件:预埋件采用6063航空铝,进口粉体喷涂烤漆。
- 1.The products are self - developed with independent intellectual property rights and internal anti glare.
  - 2.Adopt integrated body design, could be fully heat dissipation and fully ensure the stability and long lifespan of led.
  - 3.316L stainless steel surface cover with titanize treatment process,environmental ACD12# high strength die-casting aluminum lamp housing with imported American brand Tiger powder coating spray process,the high quality material make the light can be used in some place with high acids and bases like sea side.
  - 4.Ultra clear and highly strengthen 8mm tempered glass cover, ensure high luminous efficacy (90-95%) , outstanding accuracy of color temperature, and excellent impact resistance and rub resistance.
  - 5.CREE brand as LED light source, ultra high lumen output, high light color uniformity and high CRI (Ra>80 or Ra>90).
  - 6.Top quality driver, components and excellent circuit design ensures the product with stable quality and low failure rate.
  - 7.Optional DMX512, 0/1-10V, DALI, TRIAC, PWM dimming function.
  - 8.Accessory: 6063# aluminum mounting sleeve.

### Product specifications

Item No.	<b>WB2090L2βa-A3-Y-1M</b>
LED source	CREE
Beam angle	3°/10°/20°30°/40°/60°/35   45°
LED color	2200K/2700K/3000K/4000K/5000K/6000K
Power	18*3/24*3W
Input voltage	DC12V/DC24V H07RN-F-2*1.0mm <sup>2</sup> AC100~240V H07RN-F-3*1.0mm <sup>2</sup>
Operating temperature	-20°C~40°C
IK rate	08
Luminance(lm)	Warm white=lm/ Cool white= lm
Dimmable support	Triac/PWM/0-10V/DALI/DMX512

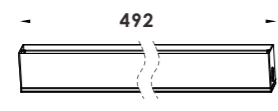
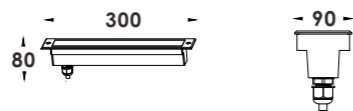


Can be custom-made height=100MM



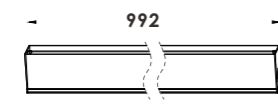
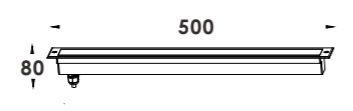
Mounting sleeve

**WB2090L2βa-A3-Y-0.3M**



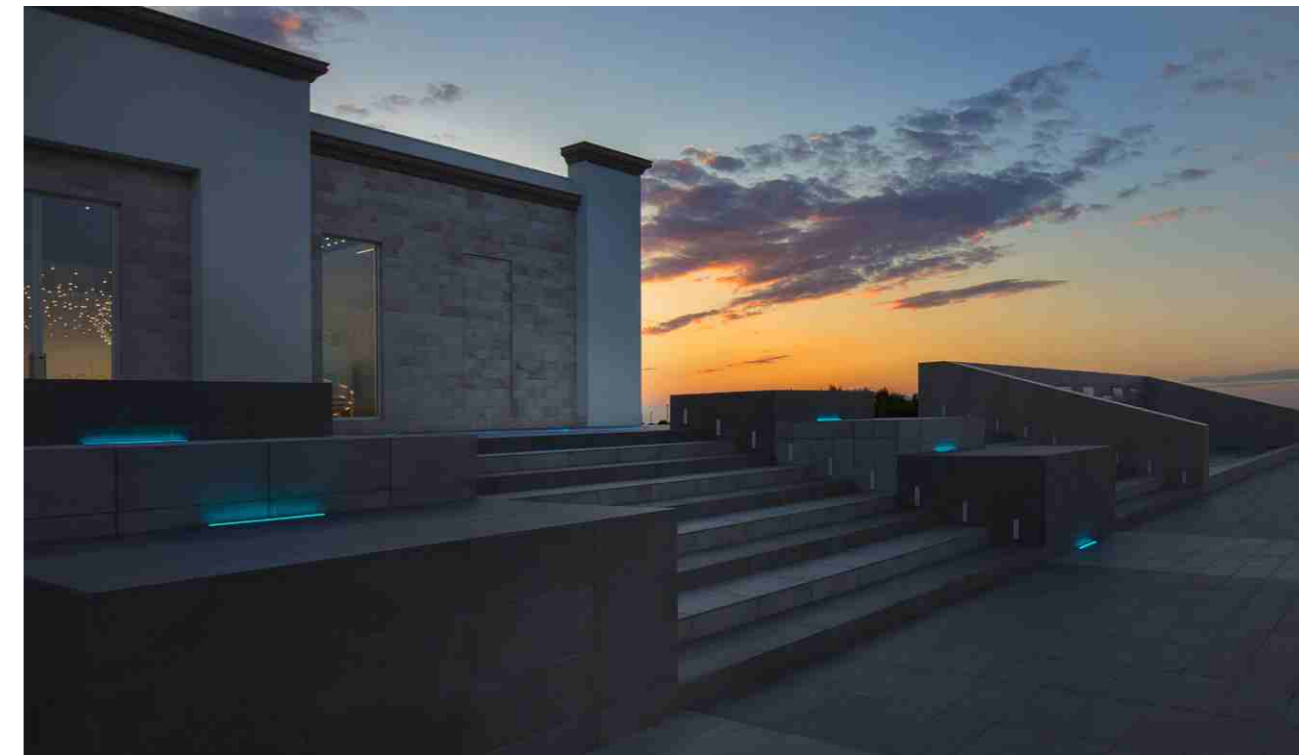
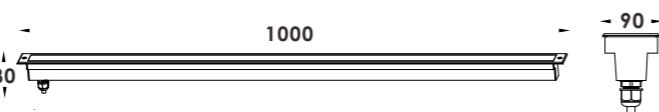
Mounting sleeve

**WB2090L2βa-A3-Y-0.5M**



Mounting sleeve

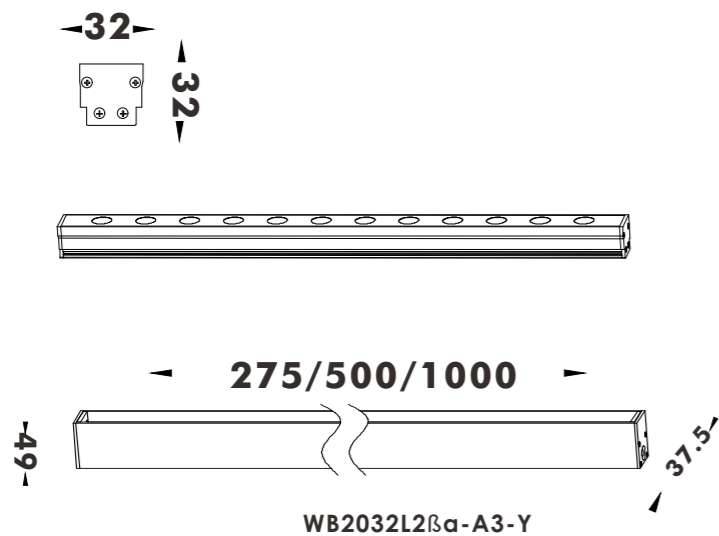
**WB2090L2βa-A3-Y-1M**





# 小尺寸嵌入式线条灯

## Small Size Recessed Linear Light

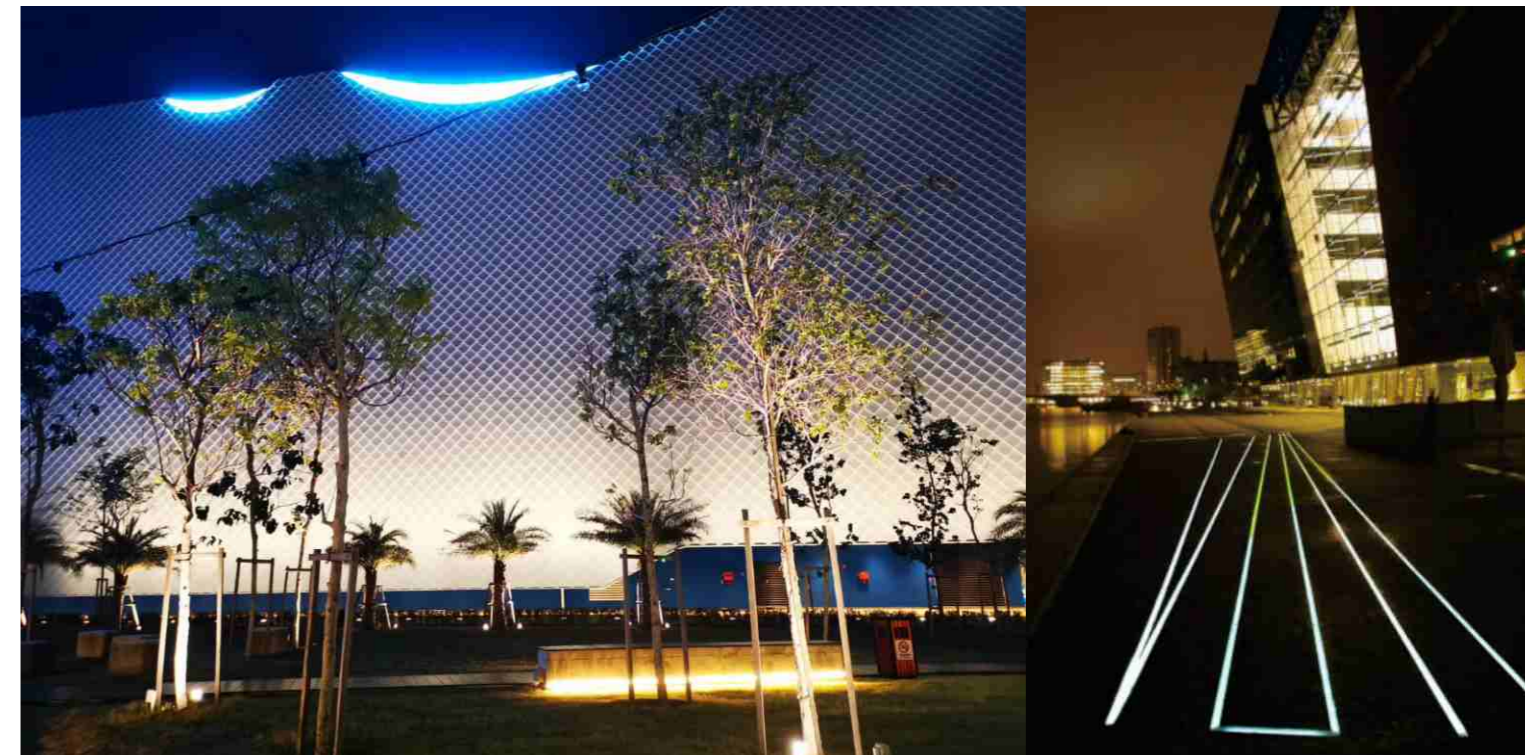


### 产品简介 Product Introduction

- 无边框超窄外观设计,具有优秀的防眩光性能,均匀的偏光洗墙效果。
  - 灯具采用一体式散热结构,保证LED的有充足的散热,使灯具达到长时间的使用寿命。
  - 灯体采用环保6063#航空铝,表面氧化喷涂处理。
  - 玻璃采用5MM超白高强度钢化玻璃,保证灯具光输出的超高效率达90%以上和色温的准确性以及极强的抗冲击承重能力。
  - LED采用国际一线品牌美国CREE,超高亮度输出,光色一致性好,显色指数大于80以上(可选90以上)。
  - 驱动模块采用国际一线品牌元器件,保证灯具稳定与故障的低概率。
  - 灯具支持DMX512,1-10V,DALI,TRIAC,PWM调光控制,调光顺滑柔和。
  - 配件:预埋件采用6063航空铝,进口粉体喷涂烤漆。
- Ultra-narrow frame design, with excellent anti-glare performance and uniform wall washing effect.
  - Adopt integrated body design, could be fully heat dissipation and fully ensure the stability and long lifespan of led.
  - Lamp housing made of environmental and high tensile 6063# aluminum anodized finishing or powder painting.
  - Ultra clear and highly strengthen 5mm tempered glass cover, ensure high luminous efficacy (90-95%) , outstanding accuracy of color temperature, and excellent impact resistance and rub resistance.
  - CREE brand as LED light source, ultra high lumen output, high light color uniformity and high CRI (Ra>80 or Ra>90).
  - Top quality driver, components and excellent circuit design ensures the product with stable quality and low failure rate.
  - Optional DMX512, 0/1-10V, DALI, TRIAC, PWM dimming function.
  - Accessory: 6063#aluminum mounting sleeve.

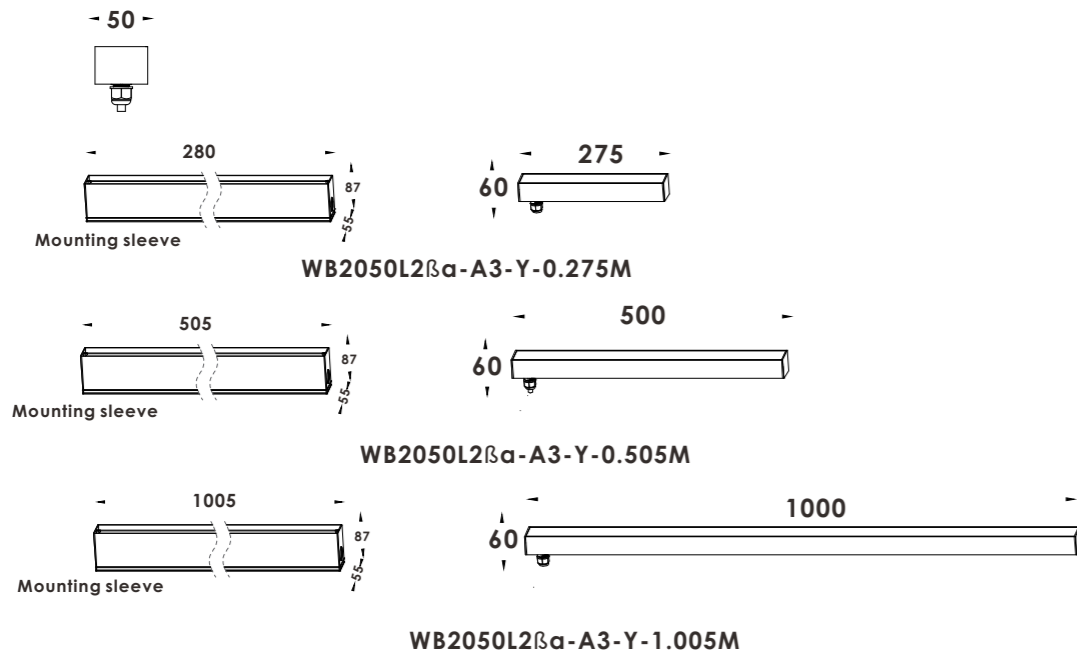
### Product specifications

Item No.	WB2032L2βa-A3-Y-1M
LED source	OSRAM
Beam angle	10°/20°/30°/40°/60°/90°/10°40°/10 60°/35 45°
LED color	2200K/2700K/3000K/4000K/5000K/6000K
Power	6*2W/12*2W/24*2W
Input voltage	DC12V/DC24V H05RN-F-2*1.0mm²
Operating temperature	-20°C~40°C
IK rate	08
Luminance(lm)	Warm white=lm/ Cool white= lm
Dimmable support	Triac/PWM/0-10V/DALI/DMX512



# 嵌入式线性洗墙埋地灯

## Recessed linear Inground Wall Washer Light



## 产品简介Product Introduction

- 无边框超窄外观设计,具有优秀的防眩光性能,均匀的偏光洗墙效果。
  - 灯具采用一体式散热结构,保证LED的有充足的散热,使灯具达到长时间的使用寿命。
  - 灯体采用环保ACD12#高强度压铸铝,表面高端美国老虎粉体烤漆喷涂处理,以确保海边等高酸碱环境的使用。
  - 玻璃采用8MM超白高强度钢化玻璃,保证灯具光输出的超高效率达90%以上和色温的准确性以及极强的抗冲击承重能力。
  - LED采用国际一线品牌美国CREE,超高亮度输出,光色一致性好,显色指数大于80以上(可选90以上)。
  - 驱动模块采用国际一线品牌或元器件,保证灯具稳定与故障的低概率。
  - 灯具支持DMX512,1-10V,DALI,TRIAC,PWM调光控制,调光顺滑柔和。
  - 配件:预埋件采用6063航空铝,进口粉体喷涂烤漆。
- Ultra-narrow frame design, with excellent anti-glare performance and uniform wall washing effect.
  - Adopt integrated body design, could be fully heat dissipation and fully ensure the stability and long lifespan of led.
  - Lamp housing made of environmental and high tensile ACD12# die-casting aluminum, and the surface of lamp housing is with American Tiger Powder Paint Treatment, suitable for high-acid and alkali environments use.
  - Ultra clear and highly strengthen 8mm tempered glass cover, ensure high luminous efficacy (90-95%), outstanding accuracy of color temperature, and excellent impact resistance and rub resistance.
  - CREE brand as LED light source, ultra high lumen output, high light color uniformity and high CRI (Ra>80 or Ra>90).
  - Top quality driver, components and excellent circuit design ensures the product with stable quality and low failure rate.
  - Optional DMX512, 0/1-10V, DALI, TRIAC, PWM dimming function.
  - Accessory: 6063# aluminum mounting sleeve.

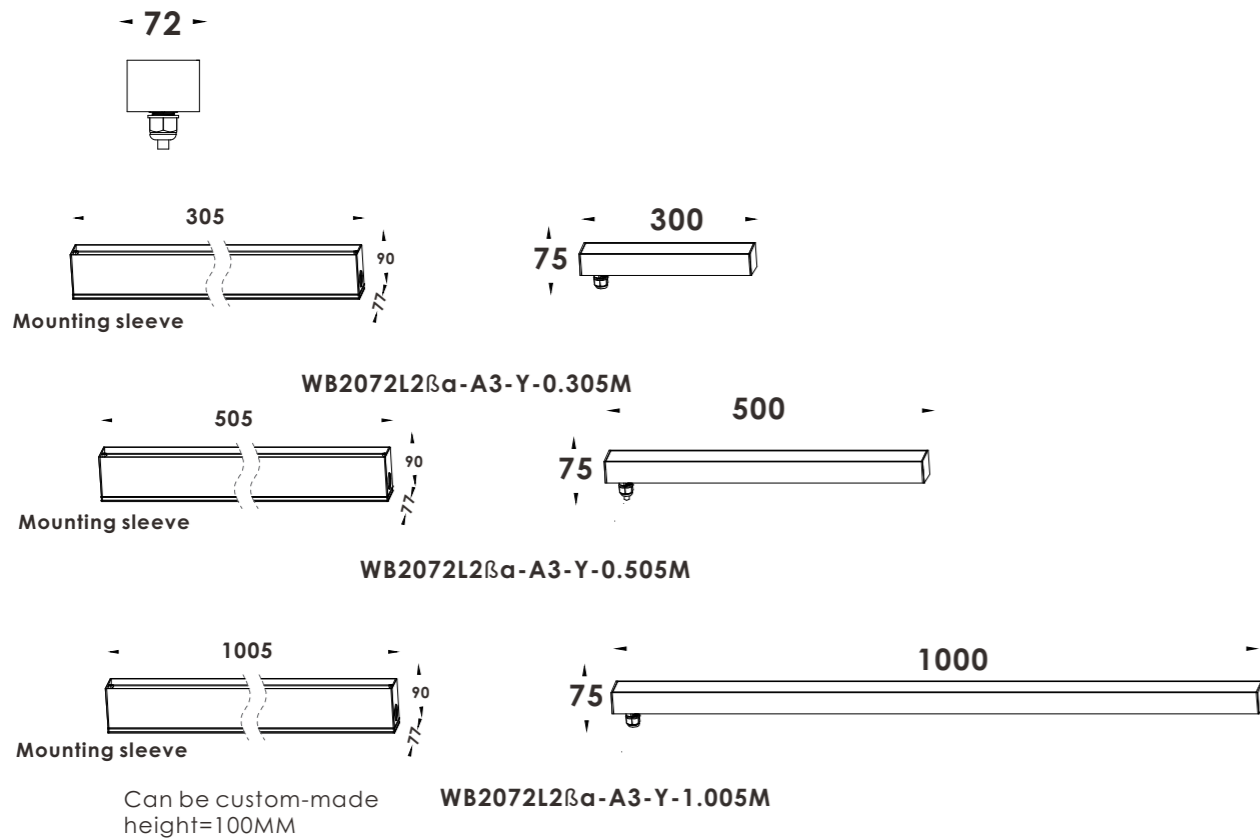
## Product specifications

Item No.	WB2050L4βa-C7-Y-0.275M/0.505M/1.005M
LED source	OSRAM
Beam angle	10°/20°/30°/40°/60°/90°
LED color	2200K/2700K/3000K/4000K/5000K/6000K
Power	6*2W/12*2W/24*1.5W
Input voltage	DC12V/DC24V H07RN-F-2*1.0mm <sup>2</sup> AC100~240V H07RN-F-3*0.75mm <sup>2</sup>
Operating temperature	-20°C~40°C
IK rate	08
Luminance(lm)	Warm white=lm/ Cool white= lm
Dimmable support	Triac/PWM/0-10V/DALI/DMX512



# 嵌入式线性洗墙埋地灯

## Recessed linear Inground Wall Washer Light



### 产品简介Product Introduction

- 无边框超窄外观设计,具有优秀的防眩光性能,均匀的偏光洗墙效果。
  - 灯具采用一体式散热结构,保证LED的有充足的散热,使灯具达到长时间的使用寿命。
  - 灯体采用环保ACD12#高强度压铸铝,表面高端美国老虎粉体烤漆喷涂处理,以确保海边等高酸碱环境的使用。
  - 玻璃采用8MM超白高强度钢化玻璃,保证灯具光输出的超高效率达90以上和色温的准确性以及极强的抗冲击承重能力。
  - LED采用国际一线品牌美国CREE,超高亮度输出,光色一致性好,显色指数大于80以上(可选90以上)。
  - 驱动模块采用国际一线品牌或元器件,保证灯具稳定与故障的低概率。
  - 灯具支持DMX512,1-10V,DALI,TRIAC,PWM调光控制,调光顺滑柔和。
  - 配件:预埋件采用6063航空铝,进口粉体喷涂烤漆。
- Ultra-narrow frame design, with excellent anti-glare performance and uniform wall washing effect.
  - Adopt integrated body design, could be fully heat dissipation and fully ensure the stability and long lifespan of led.
  - Lamp housing made of environmental and high tensile ACD12# die-casting aluminum, and the surface of lamp housing is with American Tiger Powder Paint Treatment, suitable for high-acid and alkali environments use.
  - Ultra clear and highly strengthen 8mm tempered glass cover, ensure high luminous efficacy (90-95%), outstanding accuracy of color temperature, and excellent impact resistance and rub resistance.
  - CREE brand as LED light source, ultra high lumen output, high light color uniformity and high CRI (Ra>80 or Ra>90).
  - Top quality driver, components and excellent circuit design ensures the product with stable quality and low failure rate.
  - Optional DMX512, 0/1-10V, DALI, TRIAC, PWM dimming function.
  - Accessory: 6063# aluminum mounting sleeve.

### Product specifications

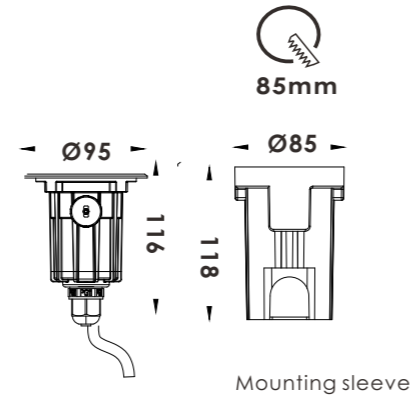
Item No.	WB2072L4βa-C7-Y-0.305M/0.505M/1.005M
LED source	OSRAM
Beam angle	10°/25°/45°/60°/100°
LED color	2200K/2700K/3000K/4000K/5000K/6000K
Power	6*2W/12*2W*24*2W
Input voltage	DC 12V/DC24V H07RN-F-2*1.0mm² AC 100-240V H07RN-F-3*1.0mm²
Operating temperature	-20°C~40°C
IK rate	08
Luminance(lm)	Warm white=lm/ Cool white= lm
Dimmable support	Triac/PWM/0-10V/DALI/DMX512



## 嵌入式COB LED 埋地灯 Recessed COB LED Inground Light



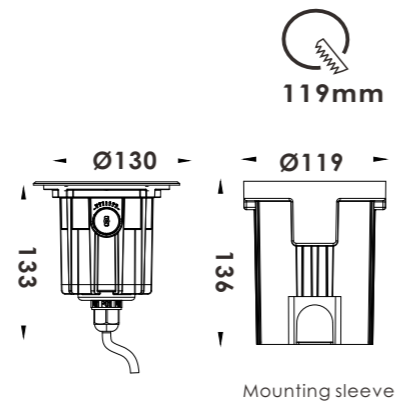
WB2095R1\*α-B4-Y



Mounting sleeve



WB2130R1\*α-B4-Y



Mounting sleeve

## 产品简介Product Introduction

- 1.灯具采用一体式散热结构,保证LED的有充足的散热,使灯具达到长时间的使用寿命。
- 2.面盖采用316L不锈钢镀钛工艺,灯体采用环保ACD12#高强度压铸铝,表面高端美国老虎粉体烤漆喷涂处理,以确保海边等高酸碱环境的使用。
- 3.玻璃采用8MM超白高强度钢化玻璃,保证灯具光输出的超高效率达90以上和色温的准确性以及极强的抗冲击承重能力。
- 4.LED采用国际一线品牌美国CREE,超高亮度输出,光色一致性好,显色指数大于80以上(可选90以上)。
- 5.驱动模块采用国际一线品牌元器件,保证灯具稳定与故障的低概率。
- 6.灯具支持DMX512,1-10V,DALI,TRIAC,PWM调光控制,调光平滑柔和。
- 7.配件:预埋件采用高强度环保ABS。

1. Adopt integrated body design, could be fully heat dissipation and fully ensure the stability and long lifespan of led.
2. 316L stainless steel surface cover with titanize treatment process, environmental ACD12# high strength die-casting aluminum lamp housing with imported American brand Tiger powder coating spray process, the high quality material make the light can be used in some place with high acids and bases like sea side.
3. Ultra clear and highly strengthen 8mm tempered glass cover, ensure high luminous efficacy (90-95%), outstanding accuracy of color temperature, and excellent impact resistance and rub resistance.
4. CREE brand as LED light source, ultra high lumen output, high light color uniformity and high CRI (Ra>80 or Ra>90).
5. Top quality driver, components and excellent circuit design ensures the product with stable quality and low failure rate.
6. Optional DMX512, 0/1-10V, DALI, TRIAC, PWM dimming function.
7. Accessory: high-impact durable ABS mounting sleeve.

## Product specifications

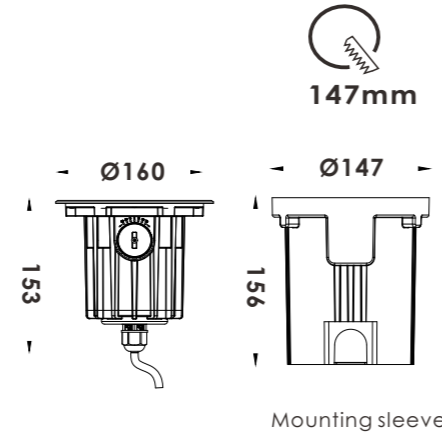
Item No.	WB2095R1*α-B4-Y	Item No.	WB2130R1*α-B4-Y
LED source	CREE	LED source	CREE
Beam angle	20°/30°/40°	Beam angle	20°/30°/40°
LED color	2700K/3000K/4000K/5000K/6000K	LED color	2700K/3000K/4000K/5000K/6000K
Power	1*5W	Power	1*8W
Input voltage	DC12V/DC24V H05RN-F-2*1.0mm <sup>2</sup> AC220~240V H05RN-F-3*0.75mm <sup>2</sup>	Input voltage	DC12V/DC24V H07RN-F-2*1.0mm <sup>2</sup> AC220~240V H05RN-F-3*0.75mm <sup>2</sup>
Operating temperature	-20°C~40°C	Operating temperature	-20°C~40°C
IK rate	05	IK rate	08
Luminance(lm)	Warm white=110lm/ Cool white=126lm	Luminance(lm)	Warm white=22lm/ Cool white=28lm
Dimmable support	Triac/PWM/0-10V/DALI/DMX512 (internal)	Dimmable support	Triac/PWM/0-10V/DALI/DMX512 (internal)



## 嵌入式COB LED 埋地灯 Recessed COB LED Inground Light



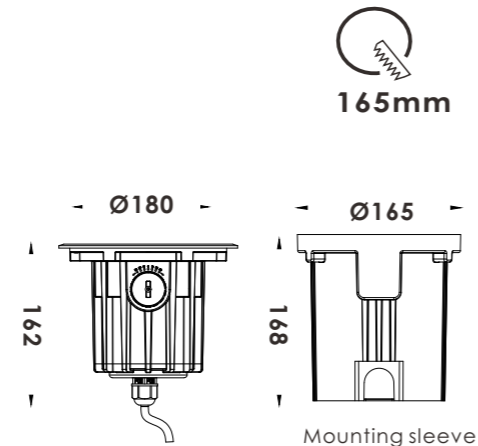
WB2160R1\*α-B4-Y



Mounting sleeve



WB2180R1\*α-B4-Y



Mounting sleeve

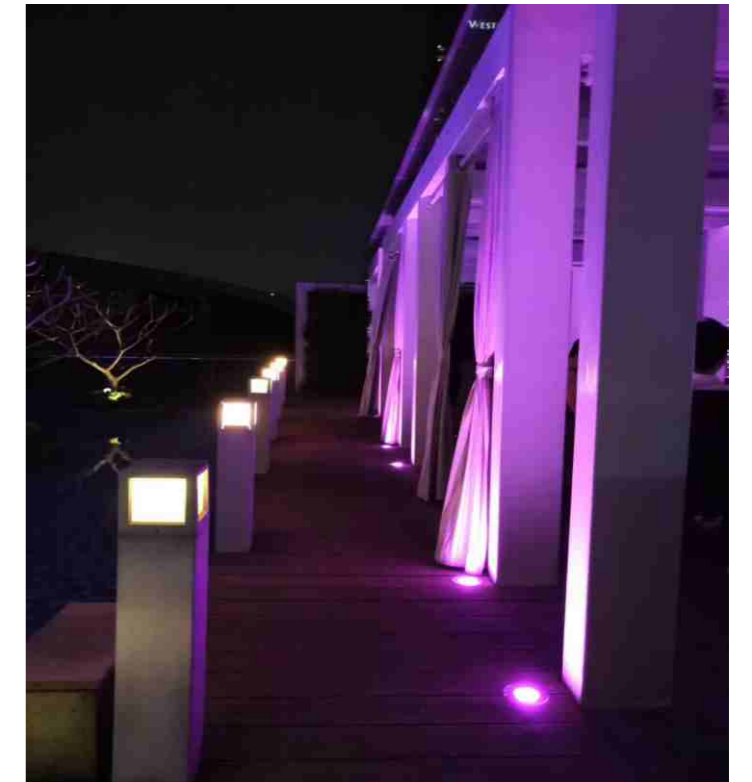
## 产品简介Product Introduction

- 1.灯具采用一体式散热结构,保证LED的有充足的散热,使灯具达到长时间的使用寿命。
- 2.面盖采用316L不锈钢镀钛工艺,灯体采用环保ACD12#高强度压铸铝,表面高端美国老虎粉体烤漆喷涂处理,以确保海边等高酸碱环境的使用。
- 3.玻璃采用8MM超白高强度钢化玻璃,保证灯具光输出的超高效率达90%以上和色温的准确性以及极强的抗冲击承重能力。
- 4.LED采用国际一线品牌美国CREE,超高亮度输出,光色一致性好,显色指数大于80以上(可选90以上)。
- 5.驱动模块采用国际一线品牌元器件,保证灯具稳定与故障的低概率。
- 6.灯具支持DMX512,1-10V,DALI,TRIAC,PWM调光控制,调光顺滑柔和。
- 7.配件:预埋件采用高强度环保ABS。

1. Adopt integrated body design, could be fully heat dissipation and fully ensure the stability and long lifespan of led.
2. 316L stainless steel surface cover with titanize treatment process, environmental ACD12# high strength die-casting aluminum lamp housing with imported American brand Tiger powder coating spray process, the high quality material make the light can be used in some place with high acids and bases like sea side.
3. Ultra clear and highly strengthen 8mm tempered glass cover, ensure high luminous efficacy (90-95%), outstanding accuracy of color temperature, and excellent impact resistance and rub resistance.
4. CREE brand as LED light source, ultra high lumen output, high light color uniformity and high CRI (Ra>80 or Ra>90).
5. Top quality driver, components and excellent circuit design ensures the product with stable quality and low failure rate.
6. Optional DMX512, 0/1-10V, DALI, TRIAC, PWM dimming function.
7. Accessory: high-impact durable ABS mounting sleeve.

## Product specifications

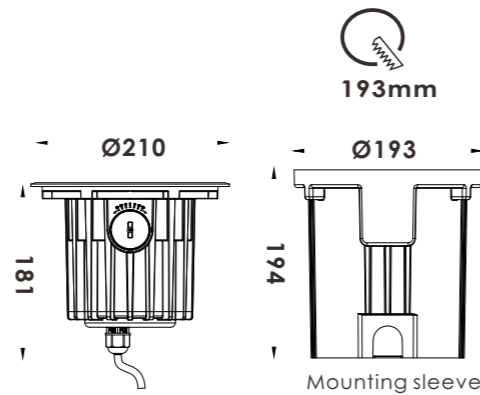
Item No.	WB2160R1*α-B4-Y	Item No.	WB2180R1*α-B4-Y
LED source	CREE	LED source	CREE
Beam angle	20°/30°/40°/60°	Beam angle	20°/30°/40°/60°
LED color	2700K/3000K/4000K/5000K/6000K	LED color	2700K/3000K/4000K/5000K/6000K
Power	1*12W	Power	1*18W
Input voltage	DC12V/DC24V H07RN-F-2*1.0mm <sup>2</sup> AC220~240V H07RN-F-3*1.0mm <sup>2</sup>	Input voltage	DC12V/DC24V H07RN-F-2*1.0mm <sup>2</sup> AC220~240V H07RN-F-3*1.0mm <sup>2</sup>
Operating temperature	-20°C~40°C	Operating temperature	-20°C~40°C
IK rate	05	IK rate	08
Luminance(lm)	Warm white=110lm/ Cool white=126lm	Luminance(lm)	Warm white=22lm/ Cool white=28lm
Dimmable support	Triac/PWM/0-10V/DALI/DMX512 (internal)	Dimmable support	Triac/PWM/0-10V/DALI/DMX512 (internal)



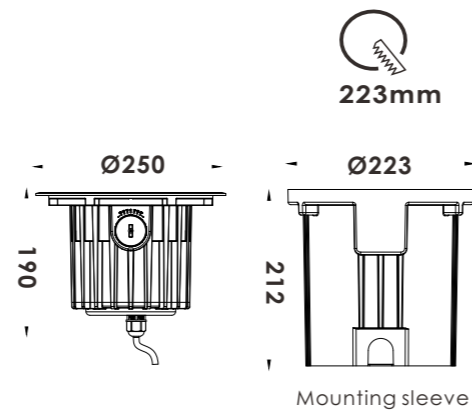
## 嵌入式COB LED埋地灯 Recessed COB LED Inground Light



WB2210R1\*α-B4-Y



WB2250R1\*α-B4-Y



## 产品简介Product Introduction

1. 灯具采用一体式散热结构,保证LED的有充足的散热,使灯具达到长时间的使用寿命。
2. 面盖采用316L不锈钢镀钛工艺,灯体采用环保ACD12#高强度压铸铝,表面高端美国老虎粉烤漆喷涂处理,以确保海边等高酸碱环境的使用。
3. 玻璃采用8MM超白高强度钢化玻璃,保证灯具光输出的超高效率达90以上和色温的准确性以及极强的抗冲击承重能力。
4. LED采用国际一线品牌美国CREE,超高亮度输出,光色一致性好,显色指数大于80以上(可选90以上)。
5. 驱动模块采用国际一线品牌或元器件,保证灯具稳定与故障的低概率。
6. 灯具支持DMX512,1-10V,DALI,TRIAC,PWM调光控制,调光平滑柔和。
7. 配件:预埋件采用高强度环保ABS。

1. Adopt integrated body design, could be fully heat dissipation and fully ensure the stability and long lifespan of led.
2. 316L stainless steel surface cover with titanize treatment process, environmental ACD12# high strength die-casting aluminum lamp housing with imported American brand Tiger powder coating spray process, the high quality material make the light can be used in some place with high acids and bases like sea side.
3. Ultra clear and highly strengthen 8mm tempered glass cover, ensure high luminous efficacy (90-95%), outstanding accuracy of color temperature, and excellent impact resistance and rub resistance.
4. CREE brand as LED light source, ultra high lumen output, high light color uniformity and high CRI (Ra>80 or Ra>90).
5. Top quality driver, components and excellent circuit design ensures the product with stable quality and low failure rate.
6. Optional DMX512, 0/1-10V, DALI, TRIAC, PWM dimming function.
7. Accessory: high-impact durable ABS mounting sleeve.

## Product specifications

Item No.	WB2210R1*α-B4-Y	Item No.	WB2250R1*α-B4-Y
LED source	CREE	LED source	CREE
Beam angle	20°/30°/40°/60°	Beam angle	20°/30°/40°/60°
LED color	2700K/3000K/4000K/5000K/6000K	LED color	2700K/3000K/4000K/5000K/6000K
Power	1*24W	Power	1*36W
Input voltage	DC12V/DC24V H07RN-F-2*1.0mm <sup>2</sup> AC220~240V H07RN-F-3*1.0mm <sup>2</sup>	Input voltage	DC12V/DC24V H07RN-F-2*1.0mm <sup>2</sup> AC220~240V H07RN-F-3*1.0mm <sup>2</sup>
Operating temperature	-20°C~40°C	Operating temperature	-20°C~40°C
IK rate	05	IK rate	08
Luminance(lm)	Warm white=110lm/ Cool white=126lm	Luminance(lm)	Warm white=22lm/ Cool white=28lm
Dimmable support	Triac/PWM/0-10V/DALI/DMX512 (internal)	Dimmable support	Triac/PWM/0-10V/DALI/DMX512 (internal)



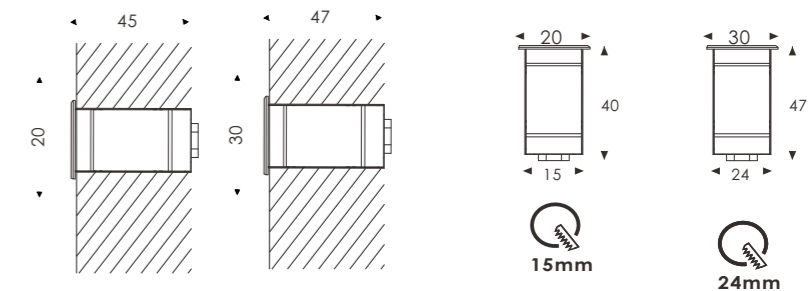
# 嵌入式MINI埋地灯 Recessed Mini Inground Light



WB2020R4\*α-C7-Y

WB2030R4\*α-C7-Y

## Dimensions

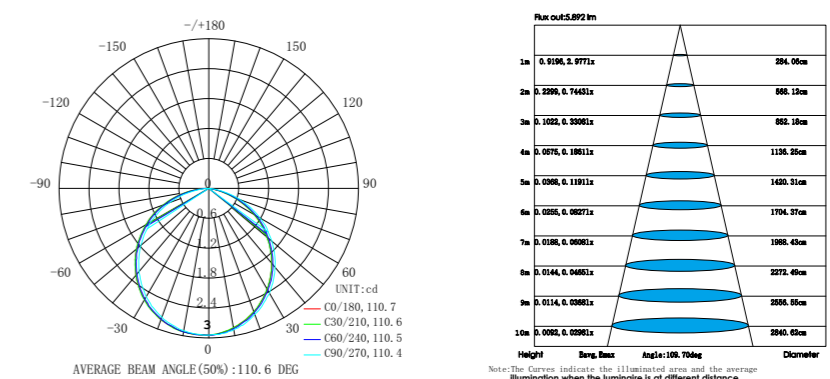


## 产品简介 Product Introduction

1. 灯具超迷你小尺寸设计，时尚美观。
2. 采用一体式散热结构，保证LED的有充足的散热，使灯具达到长时间的使用寿命。
3. 灯体采用环保6063#航空铝，阳极氧化处理。
4. 玻璃采用2MM柔光板。
5. LED采用国际一线品牌美国CREE，超高亮度输出，光色一致性好，显色指数大于80以上(可选90以上)。
6. 驱动模块采用国际一线品牌元器件，保证灯具稳定与故障的低概率。
7. 灯具支持DMX512, 1-10V, DALI, TRIAC, PWM调光控制，调光平滑柔和。

1. The products are MINI size design.
2. Adopt integrated body design, could be fully heat dissipation and fully ensure the stability and long lifespan of led.
3. Lamp housing made of environmental and high tensile 6063# aluminum anodized finishing or powder painting.
4. Ultra clear and highly strengthen 2mm filter
5. Uses CREE LED with super brightness, high CRI 80+ (even 90+ is available) and Uniformity of light Color as its light source.
6. Top quality driver, components and excellent circuit design ensures the product with stable quality and low failure rate.
7. Optional DMX512, 0/1-10V, DALI, TRIAC, PWM dimming function.

Product specifications		Product specifications	
Item No.	WB2020R4*α-C7-X	Item No.	WB2030R4*α-C7-X
LED source	OSRAM	LED source	OSRAM
Beam angle	120° surface lighting	Beam angle	120° surface lighting
LED color	2200K/2700K/3000K/4000K/5000K/6000K	LED color	2200K/2700K/3000K/4000K/5000K/6000K
Power	1*0.5W	Power	1*0.5W
Input voltage	DC12V/DC24V H05RN-F-2*0.5mm <sup>2</sup>	Input voltage	DC12V/DC24V H05RN-F-2*0.5mm <sup>2</sup>
Operating temperature	-20℃~40℃	Operating temperature	-20℃~40℃
IK rate	03	IK rate	03
Luminance(lm)	Warm white=8lm/ Cool white=11lm	Luminance(lm)	Warm white=8lm/ Cool white=11lm
Dimmable support	-	Dimmable support	-



# 嵌入式埋地灯 Recessed Inground Light

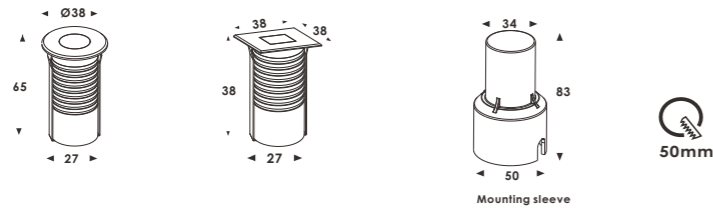


WB2038R1\*α-A3-Y



WB2038R4\*α-A7-Y

## Dimensions



## 产品简介Product Introduction

- 1.面盖:316 不锈钢
- 2.灯体:12# 压铸铝, 表面喷涂处理
- 3.驱动:恒压输入
- 4.玻璃:高强度钢化玻璃, 抗冲击耐摩擦
- 5.配件:预埋盒 ABS



- 1.Front cover :Stainless steel SUS316#
- 2.Housing:12# Die-casting grey powder coated aluminum.T=60-80μm Adhesion of ISO class 1/ASTM class 4B high temperature painting
- 3.Driver:Constant current output,Constant current output
- 4.Glass:Step tempered glass
- 5.Mounting sleeve:ABS

## Product specifications

Item No.	WB2038R1*α-A3-Y/WB2038S1*α-A3-Y	Item No.	WB2038R4*α-C7-Y/WB2038S4*α-C7-Y
LED source	CREE	LED source	CREE
Beam angle	30°/40°/60°	Beam angle	120° surface lighting
LED color	2200K/2700K/3000K/4000K/5000K/6000K	LED color	2200K/2700K/3000K/4000K/5000K/6000K
Power	1*1.5W	Power	1*1W
Input voltage	DC12V/DC24V H05RN-F-2*1.0mm <sup>2</sup>	Input voltage	DC12V/DC24V H05RN-F-2*1.0mm <sup>2</sup>
Operating temperature	-20℃~40℃	Operating temperature	-20℃~40℃
IK rate	05	IK rate	05
Luminance(lm)	Warm white=110lm/ Cool white=126lm	Luminance(lm)	Warm white=22lm/ Cool white=28lm
Dimmable support	-	Dimmable support	-

# 嵌入式埋地灯 Recessed Inground light

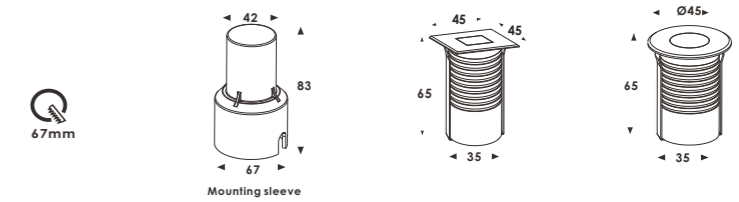


WB2045R1\*α-A3-Y



WB2045R4\*α-A7-Y

## Dimensions



## 产品简介Product Introduction

- 1.面盖:316L 不锈钢
- 2.灯体:12# 压铸铝, 表面喷涂处理
- 3.驱动:恒压输入
- 4.玻璃:高强度钢化玻璃, 抗冲击耐摩擦
- 5.配件:预埋盒 ABS



- 1.Front cover :Stainless steel SUS316#
- 2.Housing:12# Die-casting grey powder coated aluminum.T=60-80μm Adhesion of ISO class 1/ASTM class 4B high temperature painting
- 3.Driver:Constant current output,Constant current output
- 4.Glass:Step tempered glass
- 5.Mounting sleeve:ABS

## Product specifications

Item No.	WB2045R1*α-A3-Y/WB2045S1*α-A3-Y	Item No.	WB2045R4*α-A7-Y/WB2045S4*α-A7-Y
LED source	CREE	LED source	CREE
Beam angle	15°/25°/40°/60°	Beam angle	120° surface lighting
LED color	2200K/2700K/3000K/4000K/5000K/6000K	LED color	2200K/2700K/3000K/4000K/5000K/6000K
Power	1*2W	Power	1*1.5W
Input voltage	DC12V/DC24V H05RN-F-2*1.0mm <sup>2</sup> AC100~240V H05RN-F-3*0.75mm <sup>2</sup>	Input voltage	DC12V/DC24V H05RN-F-2*1.0mm <sup>2</sup> AC100~240V H05RN-F-3*0.75mm <sup>2</sup>
Operating temperature	-20℃~40℃	Operating temperature	-20℃~40℃
IK rate	08	IK rate	08
Luminance(lm)	Warm white=126lm/ Cool white=152lm	Luminance(lm)	Warm white=28lm/ Cool white=32lm
Dimmable support	Triac/PWM/0-10V/DALI/DMX512	Dimmable support	Triac/PWM/0-10V/DALI/DMX512



## 嵌入式埋地灯 Recessed Inground Light

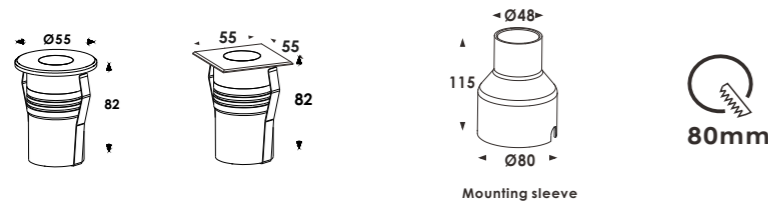


WB2055R1\*α-A3-Y



WB2055R4\*α-A7-Y

### Dimensions



### 产品简介 Product Introduction

- 1.面盖:316 不锈钢
- 2.灯体:12# 压铸铝,表面喷涂处理
- 3.驱动:恒压输入
- 4.玻璃:高强度钢化玻璃,抗冲击耐摩擦
- 5.配件:预埋盒 ABS

- 1.Front cover :Stainless steel SUS316#
- 2.Housing:12# Die-casting grey powder coated aluminum.T=60-80µm Adhesion of ISO class 1/ASTM class 4B high temperature painting
- 3.Driver:Constant current output,Constant current output
- 4.Glass:Step tempered glass
- 5.Mounting sleeve:ABS



### Product specifications

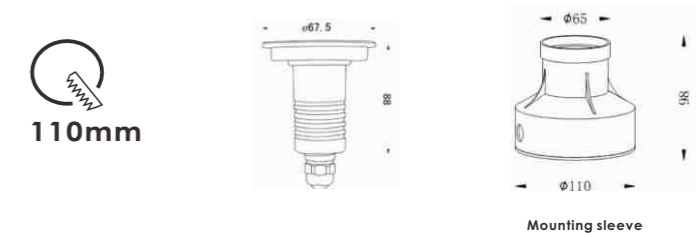
Item No.	WB2055R1*α-A3-Y/WB2055S1*α-A3-Y	Full color	WB2055R4*α-A7-Y/WB2055S4*α-A7-Y
LED source	CREE	OSRAM	CREE
Beam angle	10°/15°/30°/40°/60°	30°/40°/60°	120° surface lighting
LED color	2200K/2700K/3000K/4000K/5000K/6000K	RGB 3IN1/RGBW	2200K/2700K/3000K/4000K/5000K/6000K
Power	1*2W	3W	1*1.5W
Input voltage	DC12V/DC24V H05RN-F-2*1.0mm <sup>2</sup> AC100~240V H05RN-F-3*0.75mm <sup>2</sup>	DC24V (internal)	DC12V/DC24V H05RN-F-2*1.0mm <sup>2</sup> AC100~240V H05RN-F-3*0.75mm <sup>2</sup>
Operating temperature	-20℃~40℃	-20 ~40	-20℃~40℃
IK rate	08	08	08
Luminance(lm)	Warm white=140lm/ Cool white=152lm	-	Warm white=28lm/ Cool white=32lm
Dimmable support	Triac/PWM/0-10V/DALI/DMX512 (internal)	DMX512 (internal)	Triac/PWM/0-10V/DALI/DMX512 (internal)

## 嵌入式埋地灯 Recessed Inground light



WB2067R1\*α-A5-Y

### Dimensions



### 产品简介 Product Introduction

- 1.面盖:316L 不锈钢
- 2.灯体:12# 压铸铝,表面喷涂处理
- 3.驱动:恒压输入
- 4.玻璃:高强度钢化玻璃,抗冲击耐摩擦
- 5.配件:预埋盒 ABS

- 1.Front cover :Stainless steel SUS316#
- 2.Housing:12# Die-casting grey powder coated aluminum.T=60-80µm Adhesion of ISO class 1/ASTM class 4B high temperature painting
- 3.Driver:Constant current output,Constant current output
- 4.Glass:Step tempered glass
- 5.Mounting sleeve:ABS



### Product specifications

Item No.	WB2067R1*α-A3-Y	Item No.	WB2067R1*α-A5-Y
LED source	CREE	LED source	CREE
Beam angle	10°/25°/40°/60°	Beam angle	35   45°
LED color	2000K/2700K/3000K/4000K/5000K/6000K	LED color	2000K/2700K/3000K/4000K/5000K/6000K
Power	1*2W	Power	1*2W
Input voltage	DC12V/DC24V H05RN-F-2*1.0mm <sup>2</sup> AC100~240V H05RN-F-3*0.75mm <sup>2</sup>	Input voltage	DC12V/DC24V H05RN-F-2*1.0mm <sup>2</sup> AC100~240V H05RN-F-3*0.75mm <sup>2</sup>
Operating temperature	-20℃~40℃	Operating temperature	-20℃~40℃
IK rate	06	IK rate	06
Luminance(lm)	Warm white=130lm/ Cool white=158lm	Luminance(lm)	Warm white=120lm/ Cool white=150lm
Dimmable support	Triac/PWM/0-10V/DALI/DMX512 (external)	Dimmable support	Triac/PWM/0-10V/DALI/DMX512 (external)

# 嵌入式埋地灯 Recessed Inground Light

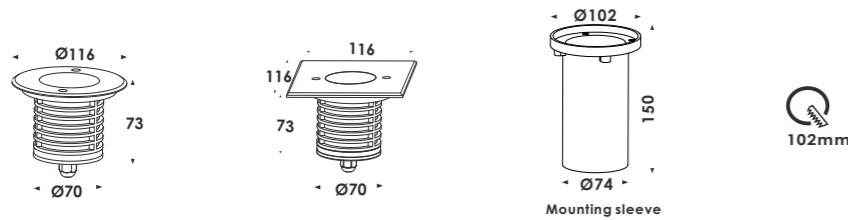


WB2116R2\*a-A3-Y



WB2116R2\*a-A3-Y

## Dimensions



## 产品简介Product Introduction

- 1.面盖:316 不锈钢
- 2.灯体:12# 压铸铝, 表面喷涂处理
- 3.驱动:恒压输入
- 4.玻璃:高强度钢化玻璃, 抗冲击耐摩擦
- 5.配件:预埋盒 ABS

- 1.Front cover :Stainless steel SUS316#
- 2.Housing:12# Die-casting grey powder coated aluminum.T=60-80µm Adhesion of ISO class 1/ASTM class 4B high temperature painting
- 3.Driver:Constant current output,Constant current output
- 4.Glass:Step tempered glass
- 5.Mounting sleeve:ABS



Item No.	WB2116R2*a-A3-Y/WB2116R2*a-A3-Y	Full color	WB2116R4*a-C7-Y/WB2116R4*a-C7-Y
LED source	CREE	OSRAM	OSRAM
Beam angle	10°/25°/40°/60°	30°/40°/60°	120° surface lighting
LED color	2000K/2700K/3000K/4000K/5000K/6000K	RGB 3IN1/RGBW	2000K/2700K/3000K/4000K/5000K/6000K
Power	3*2W	9W	3*2W
Input voltage	DC12V/DC24V H05RN-F-2*1.0mm² AC100~240V H05RN-F-3*0.75mm²	DC24V (internal)	DC12V/DC24V H05RN-F-2*1.0mm² AC100~240V H05RN-F-3*0.75mm²
Operating temperature	-20℃~40℃	-20 ~40	-20℃~40℃
IK rate	08	08	08
Luminance(lm)	Warm white=286lm/ Cool white=320lm	-	Warm white=120lm/ Cool white=150lm
Dimmable support	Triac/PWM/0-10V/DALI/DMX512 (internal)	DMX512 (internal)	Triac/PWM/0-10V/DALI/DMX512 (internal)

# 嵌入式埋地灯 Recessed Inground light

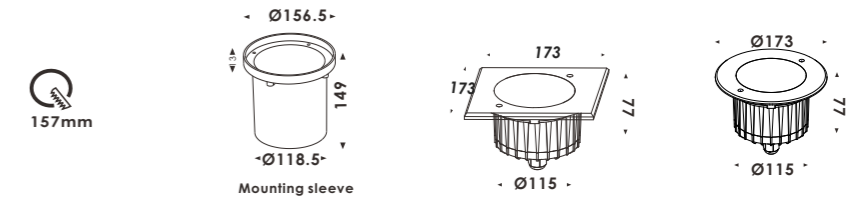


WB2173R1\*a-A5-Y



WB2173S2\*a-A3-Y

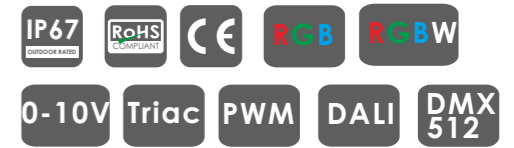
## Dimensions



## 产品简介Product Introduction

- 1.面盖:316L 不锈钢
- 2.灯体:12# 压铸铝, 表面喷涂处理
- 3.驱动:恒压输入
- 4.玻璃:高强度钢化玻璃, 抗冲击耐摩擦
- 5.配件:预埋盒 ABS

- 1.Front cover :Stainless steel SUS316#
- 2.Housing:12# Die-casting grey powder coated aluminum.T=60-80µm Adhesion of ISO class 1/ASTM class 4B high temperature painting
- 3.Driver:Constant current output,Constant current output
- 4.Glass:Step tempered glass
- 5.Mounting sleeve:ABS



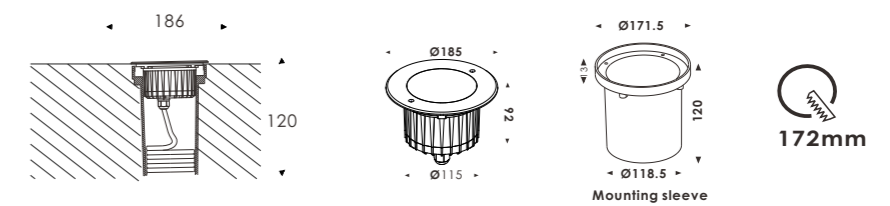
Item No.	WB2173R2*a-A3-Y/WB2173S2*a-A3-Y	Full color	WB2173R1*a-A5-Y/WB2173R1*a-A5-Y
LED source	CREE	OSRAM	CREE
Beam angle	10°/25°/40°/60°	30°/40°/60°	35   45°
LED color	2000K/2700K/3000K/4000K/5000K/6000K	RGB 3IN1/RGBW	2000K/2700K/3000K/4000K/5000K/6000K
Power	6*2W/9*2W	18W/24W	6*2W/9*2W
Input voltage	DC12V/DC24V H05RN-F-2*1.0mm² AC100~240V H05RN-F-3*0.75mm²	DC24V (internal)	DC12V/DC24V H05RN-F-2*1.0mm² AC100~240V H05RN-F-3*0.75mm²
Operating temperature	-20℃~40℃	-20 ~40	-20℃~40℃
IK rate	09	09	09
Luminance(lm)	Warm white=783lm/ Cool white=956lm	-	Warm white=944lm/ Cool white=944lm
Dimmable support	Triac/PWM/0-10V/DALI/DMX512 (internal)	DMX512 (internal)	Triac/PWM/0-10V/DALI/DMX512 (internal)

## 嵌入式大功率埋地灯 Recessed Inground light



WB2186R1\*a-A3-Y

### Dimensions



### Product specifications

Item No.	WB2186R1*a-A3-Y	Full color	WB2186R1*a-A5-Y
LED source	CREE	OSRAM	CREE
Beam angle	10°/25°/40°/60°	30°/40°/60°	35   45°
LED color	2000K/2700K/3000K/4000K/5000K/6000K	RGB 3IN1/RGBW	2000K/2700K/3000K/4000K/5000K/6000K
Power	12*2W	18W/24W	12*2W
Input voltage	DC12V/DC24V H05RN-F-2*1.0mm <sup>2</sup> AC100~240V H05RN-F-3*0.75mm <sup>2</sup>	DC24V (internal)	DC12V/DC24V H05RN-F-2*1.0mm <sup>2</sup> AC100~240V H05RN-F-3*0.75mm <sup>2</sup>
Operating temperature	-20℃~40℃	-20 ~40	-20℃~40℃
IK rate	10	10	10
Luminance(lm)	Warm white= lm/ Cool white= lm	-	Warm white= lm/ Cool white= lm
Dimmable support	Triac/PWM/0-10V/DALI/DMX512 (internal)	DMX512 (internal)	Triac/PWM/0-10V/DALI/DMX512 (internal)



### Product Introduce

- 1.Front cover : Stainless steel SUS316
- 2.Housing: 12# Die-casting grey powder coated aluminum .T=60-80µm Adhesion of ISO class 1/ASTM class 4B high temperature painting
- 3.Driver: Constant current output,Constant current output
- 4.Glass: Step tempered glass
- 5.Mounting sleeve: ABS





# 嵌入式薄款埋地灯 Slim Type Recessed LED Inground Light

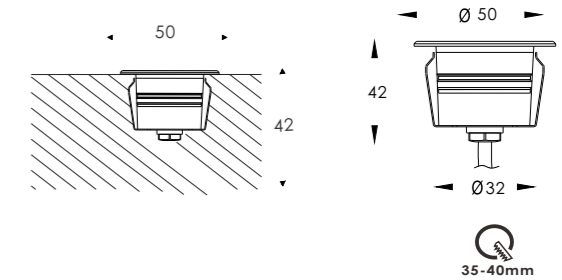


WB2050R1\*α-A3-X



WB2050S1\*α-A3-X

## Dimensions



## 产品简介 Product Introduction

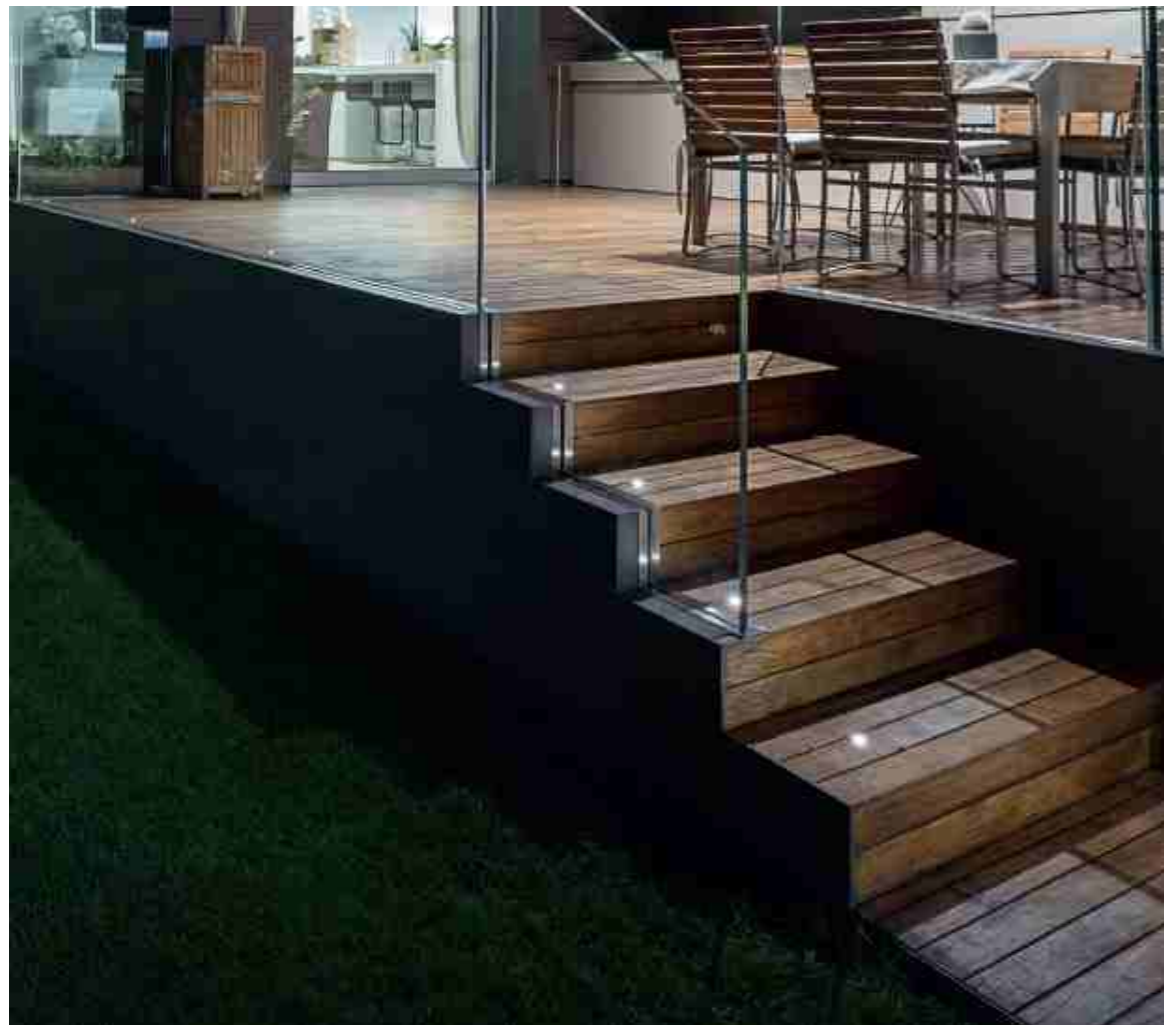
1. 灯具超薄设计, 时尚美观, 满足一些开孔深度不够场地的使用要求。
2. 采用一体式散热结构, 保证LED的有充足的散热, 使灯具达到长时间的使用寿命。
3. 面盖采用316L不锈钢镀钛工艺, 灯体采用环保ACD12#高强度压铸铝, 表面高端美国老虎粉体烤漆喷涂处理, 以确保海边等高酸碱环境的使用。
4. 玻璃采用12MM超白高强度钢化玻璃, 保证灯具光输出的超效率达90%以上和色温的准确性以及极强的抗冲击承重能力。
5. LED采用国际一线品牌美国CREE, 超高亮度输出, 光色一致性好, 显色指数大于80以上(可选90以上)。
6. 驱动模块采用国际一线品牌元器件, 保证灯具稳定与故障的低概率。
7. 灯具支持DMX512, 1-10V, DALI, TRIAC, PWM调光控制, 调光顺滑柔和。

1. The products are ultra-thin.
2. Adopt integrated body design, could be fully heat dissipation and fully ensure the stability and long lifespan of led.
3. Front ring of luminaire made of Tetanizing 316 stainless steel while lamp housing made of environmental and high tensile 6063# aluminum anodized finishing or powder painting
4. Ultra clear and highly strengthen 12mm tempered glass cover, ensure high luminous efficacy (90-95%), outstanding accuracy of color temperature, and excellent impact resistance and rub resistance.
5. Uses CREE LED with super brightness, high CRI 80+ (even 90+ is available) and Uniformity of light Color as its light source.
6. Top quality driver, components and excellent circuit design ensures the product with stable quality and low failure rate.
7. Optional DMX512, 0/1-10V, DALI, TRIAC, PWM dimming function.

## Product specifications

Item No.	WB2050R1*α-A3-X	Item No.	WB2050S1*α-A3-X
LED source	CREE	LED source	CREE
Beam angle	10°/25°/40°/60°	Beam angle	10°/25°/40°/60°
LED color	2200K/2700K/3000K/4000K/5000K/6000K	LED color	2200K/2700K/3000K/4000K/5000K/6000K
Power	1*1.5W	Power	1*1.5W
Input voltage	DC12V/DC24V H05RN-F-2*0.5mm <sup>2</sup>	Input voltage	DC12V/DC24V H05RN-F-2*0.5mm <sup>2</sup>
Operating temperature	-20℃~40℃	Operating temperature	-20℃~40℃
IK rate	03	IK rate	03
Luminance(lm)	Warm white= lm/ Cool white= lm	Luminance(lm)	Warm white= lm/ Cool white= lm
Dimmable support	-	Dimmable support	-

## 嵌入式薄款埋地灯 Slim Type Recessed LED Inground Light



WB2116R4\*b-C7-X

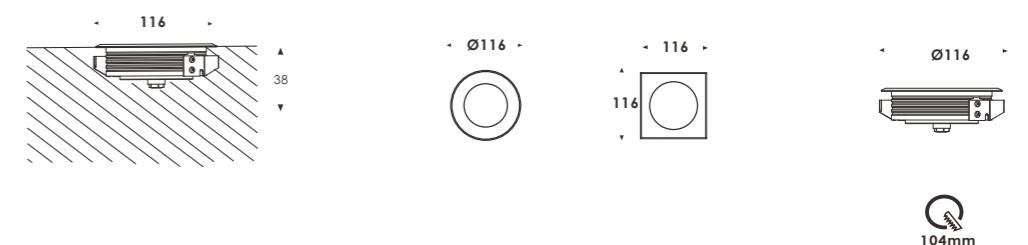


WB2116R2\*b-A3-X



WB2116S2\*b-A3-X

### Dimensions



### 产品简介 Product Introduction

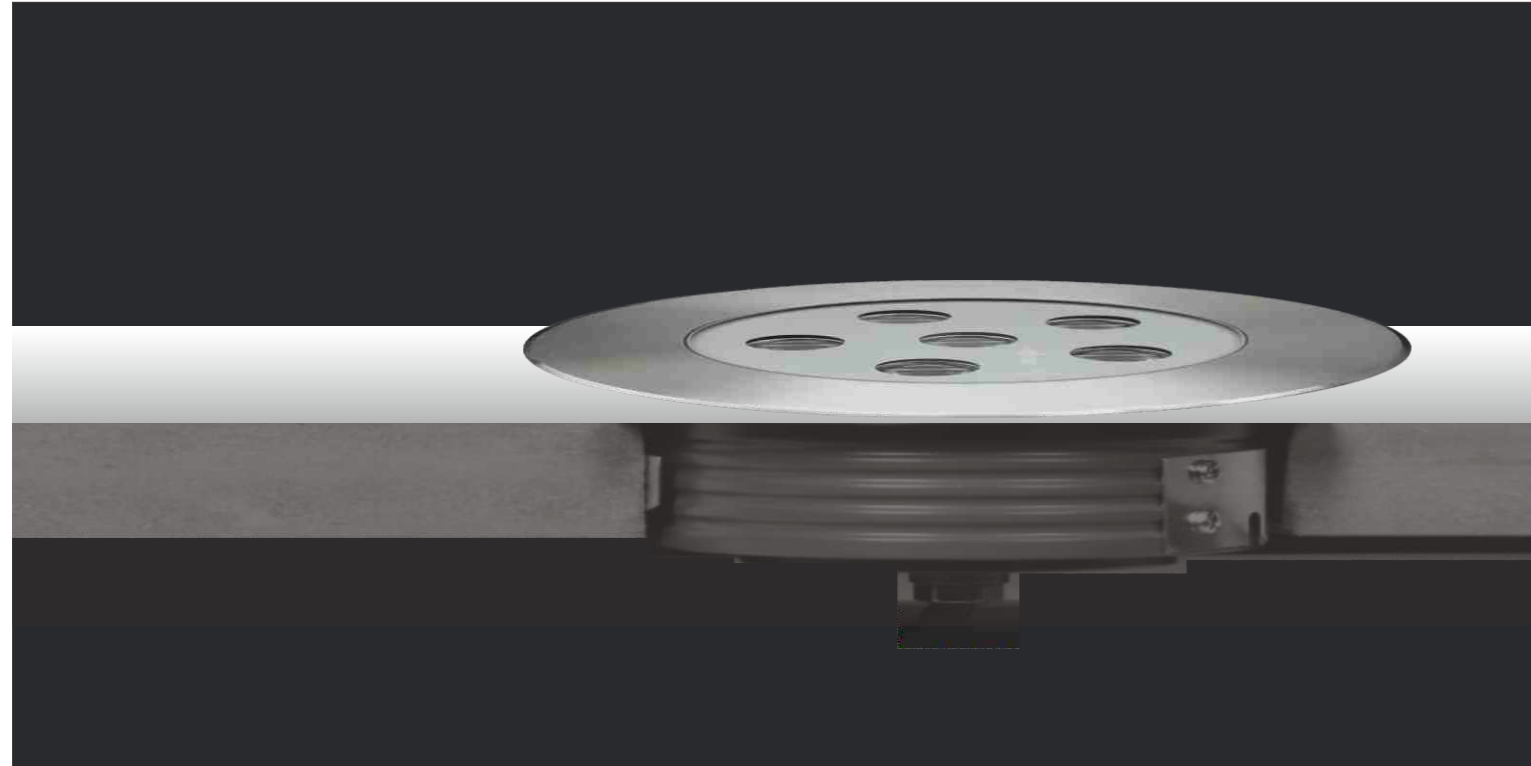
1. 灯具超薄设计，时尚美观，满足一些开孔深度不够场地的使用要求。
2. 采用一体式散热结构，保证LED的有充足的散热，使灯具达到长时间的使用寿命。
3. 面盖采用316L不锈钢镀钛工艺，灯体采用环保ACD12#高强度压铸铝，表面高端美国老虎粉体烤漆喷涂处理，以确保海边等高酸碱环境的使用。
4. 玻璃采用8MM超白高强度钢化玻璃，保证灯具光输出的超高效率达90%以上和色温的准确性以及极强的抗冲击承重能力。
5. LED采用国际一线品牌美国CREE，超高亮度输出，光色一致性好，显色指数大于80以上(可选90以上)。
6. 驱动模块采用国际一线品牌元器件，保证灯具稳定与故障的低概率。
7. 灯具支持DMX512, 1-10V, DALI, TRIAC, PWM调光控制，调光滑顺柔和。

1. The products are ultra-thin.
2. Adopt integrated body design, could be fully heat dissipation and fully ensure the stability and long lifespan of led.
3. Front ring of luminaire made of Tetanizing 316L stainless steel while lamp housing made of environmental and high tensile ACD12# die-casting aluminum, and the surface of lamp housing is with American Tiger Powder Paint Treatment, suitable for high-acid and alkali environments use.
4. Ultra clear and highly strengthen 12mm tempered glass cover, ensure high luminous efficacy (90-95%), outstanding accuracy of color temperature, and excellent impact resistance and rub resistance.
5. Uses CREE LED with super brightness, high CRI 80+ (even 90+ is available) and Uniformity of light Color as its light source.
6. Top quality driver, components and excellent circuit design ensures the product with stable quality and low failure rate.
7. Optional DMX512, 0/1-10V, DALI, TRIAC, PWM dimming function.

### Product specifications

Item No.	WB2116R2*b-A3-X/WB2116S2*b-A3-X	Item No.	WB2116R4*a-A7-X
LED source	CREE	LED source	OSRAM
Beam angle	25°/40°/60°	Beam angle	120° surface lighting
LED color	2200K/2700K/3000K/4000K/5000K/6000K	LED color	2700K/3000K/4000K/5000K/6000K
Power	3*2W	Power	1.6W
Input voltage	DC 12V/DC24V H05RN-F-2*1.0mm <sup>2</sup> AC 100~240V H05RN-F-3*0.75mm <sup>2</sup> (external)	Input voltage	DC 12V/DC24V H05RN-F-2*1.0mm <sup>2</sup> AC 100~240V H05RN-F-3*0.75mm <sup>2</sup> (external)
Operating temperature	-20℃~40℃	Operating temperature	-20℃~40℃
IK rate	08	IK rate	08
Luminance(lm)	Warm white= lm/ Cool white= lm	Luminance(lm)	Warm white= lm/ Cool white= lm
Dimmable support	Triac/PWM/0-10V/DALI/DMX512 (external)	Dimmable support	Triac/PWM/0-10V/DALI/DMX512 (external)

# 嵌入式薄款埋地灯 Slim Type Recessed LED Inground Light



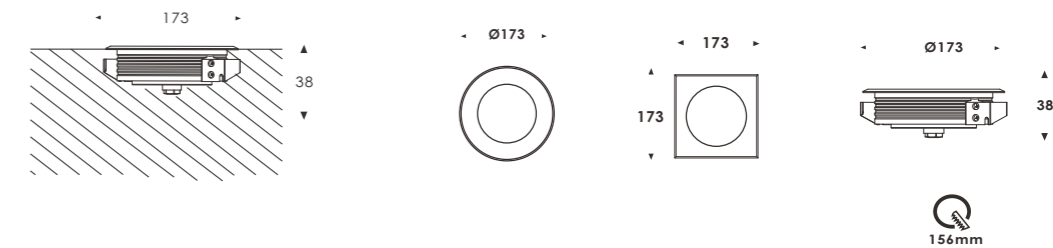
WB2173R2\*b-A5-X



WB2173S2\*b-A3-X



## Dimensions



## 产品简介 Product Introduction

1. 灯具超薄设计, 时尚美观, 满足一些开孔深度不够场地的使用要求。
2. 采用一体式散热结构, 保证LED的有充足的散热, 使灯具达到长时间的使用寿命。
3. 面盖采用316L不锈钢镀锌工艺, 灯体采用环保ACD12#高强度压铸铝, 表面高端美国老虎粉体烤漆喷涂处理, 以确保海边等高酸碱环境的使用。
4. 玻璃采用8MM超白高强度钢化玻璃, 保证灯具光输出的超高效率达90%以上和色温的准确性以及极强的抗冲击承重能力。
5. LED采用国际一线品牌美国CREE, 超高亮度输出, 光色一致性好, 显色指数大于80以上(可选90以上)。
6. 驱动模块采用国际一线品牌或元器件, 保证灯具稳定与故障的低概率。
7. 灯具支持DMX512, 1-10V, DALI, TRIAC, PWM调光控制, 调光顺滑柔和。

1. The products are ultra-thin.
2. Adopt integrated body design, could be fully heat dissipation and fully ensure the stability and long lifespan of led.
3. Front ring of luminaire made of Tetanizing 316L stainless steel while lamp housing made of environmental and high tensile ACD12# die-casting aluminum, and the surface of lamp housing is with American Tiger Powder Paint Treatment, suitable for high-acid and alkali environments use.
4. Ultra clear and highly strengthen 12mm tempered glass cover, ensure high luminous efficacy (90-95%), outstanding accuracy of color temperature, and excellent impact resistance and rub resistance.
5. Uses CREE LED with super brightness, high CRI 80+ (even 90+ is available) and Uniformity of light Color as its light source.
6. Top quality driver, components and excellent circuit design ensures the product with stable quality and low failure rate.
7. Optional DMX512, 0/1-10V, DALI, TRIAC, PWM dimming function.

## Product specifications

Item No.	WB2173R2*b-A3-X/WB2173S2*b-A3-X	Item No.	WB2173R4*a-A7-X
LED source	CREE	LED source	OSRAM
Beam angle	10°/25°/40°/60°	Beam angle	120° surface lighting
LED color	2200K/2700K/3000K/4000K/5000K/6000K	LED color	2700K/3000K/4000K/5000K/6000K
Power	6*2W	Power	4.8W
Input voltage	DC 12V/DC24V H05RN-F-2*1.0mm <sup>2</sup> AC 100~240V H05RN-F-3*0.75mm <sup>2</sup> (external)	Input voltage	DC 12V/DC24V H05RN-F-2*1.0mm <sup>2</sup> AC 100~240V H05RN-F-3*0.75mm <sup>2</sup> (external)
Operating temperature	-20℃~40℃	Operating temperature	-20℃~40℃
IK rate	09	IK rate	09
Luminance(lm)	Warm white= lm/ Cool white= lm	Luminance(lm)	Warm white= lm/ Cool white= lm
Dimmable support	Triac/PWM/0-10V/DALI/DMX512 (external)	Dimmable support	Triac/PWM/0-10V/DALI/DMX512 (external)



## 嵌入式薄款埋地灯 Slim Type Recessed LED Inground Light

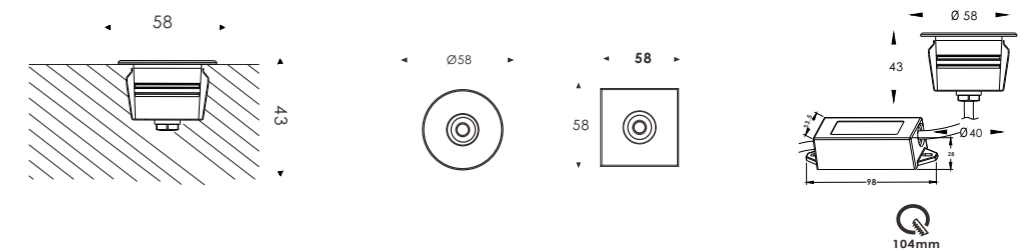


WB2058R1\*α-A3-X



WB2058S4\*α-A3-X

### Dimensions



### 产品简介 Product Introduction

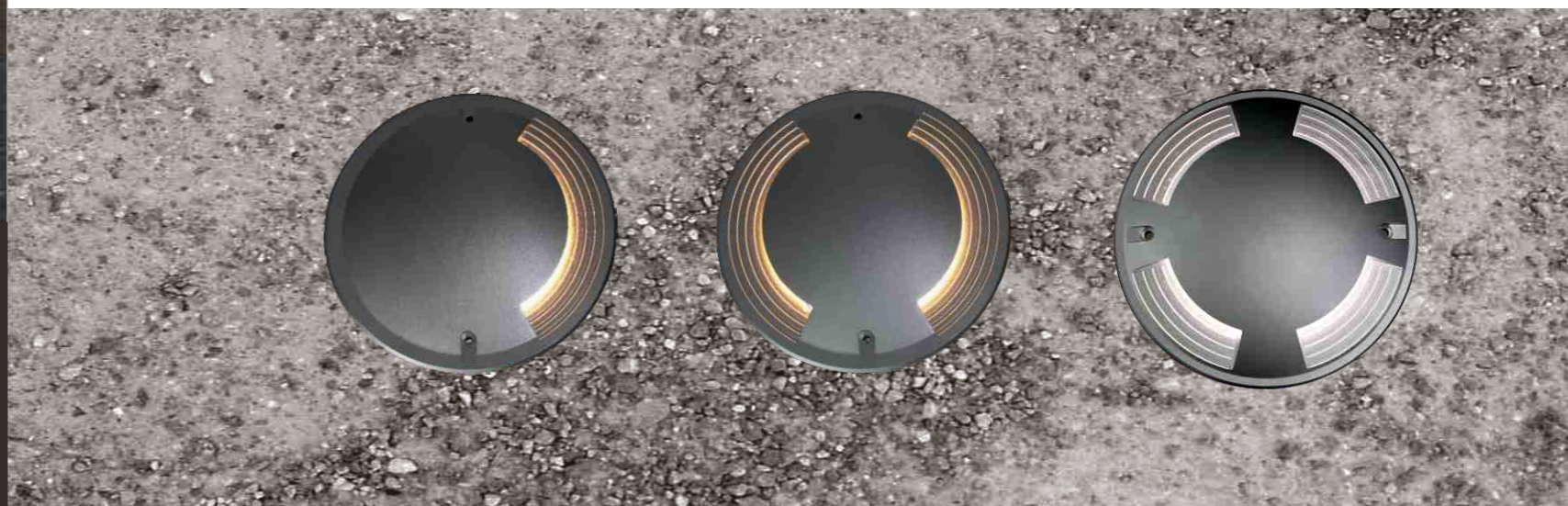
1. 灯具超薄设计, 时尚美观, 满足一些开孔深度不够场地的使用要求。
2. 采用一体式散热结构, 保证LED的有充足的散热, 使灯具达到长时间的使用寿命。
3. 面盖采用316L不锈钢镀钛工艺, 灯体采用环保ACD12#高强度压铸铝, 表面高端美国老虎粉体烤漆喷涂处理, 以确保海边等高酸碱环境的使用。
4. 玻璃采用8MM超白高强度钢化玻璃, 保证灯具光输出的超高效率达90%以上和色温的准确性以及极强的抗冲击承重能力。
5. LED采用国际一线品牌美国CREE, 超高亮度输出, 光色一致性好, 显色指数大于80以上(可选90以上)。
6. 驱动模块采用国际一线品牌元器件, 保证灯具稳定与故障的低概率。
7. 灯具支持DMX512, 1-10V, DALI, TRIAC, PWM调光控制, 调光滑顺柔和。

1. The products are ultra-thin.
2. Adopt integrated body design, could be fully heat dissipation and fully ensure the stability and long lifespan of led.
3. Front ring of luminaire made of Tetanizing 316 stainless steel while lamp housing made of environmental and high tensile ACD12# die-casting aluminum, and the surface of lamp housing is with American Tiger Powder Paint Treatment, suitable for high-acid and alkali environments use.
4. Ultra clear and highly strengthen 12mm tempered glass cover, ensure high luminous efficacy (90-95%), outstanding accuracy of color temperature, and excellent impact resistance and rub resistance.
5. Uses CREE LED with super brightness, high CRI 80+ (even 90+ is available) and Uniformity of light Color as its light source.
6. Top quality driver, components and excellent circuit design ensures the product with stable quality and low failure rate.
7. Optional DMX512, 0/1-10V, DALI, TRIAC, PWM dimming function.

### Product specifications

Item No.	WB2058R1*α-A3-X/WB2058S1*α-A3-X	Item No.	WB2058R4*α-A7-X
LED source	CREE	LED source	CREE
Beam angle	25°/40°/60°	Beam angle	120° surface lighting
LED color	2200K/2700K/3000K/4000K/5000K/6000K	LED color	2200K/2700K/3000K/4000K/5000K/6000K
Power	1*2W	Power	1*1W
Input voltage	DC12V/DC24V H05RN-F-2*1.0mm <sup>2</sup> AC100~240V H05RN-F-3*0.75mm <sup>2</sup> (external)	Input voltage	DC12V/DC24V H05RN-F-2*1.0mm <sup>2</sup> AC100~240V H05RN-F-3*0.75mm <sup>2</sup> (external)
Operating temperature	-20℃~40℃	Operating temperature	-20℃~40℃
IK rate	08	IK rate	08
Luminance(lm)	Warm white= lm/ Cool white= lm	Luminance(lm)	Warm white= lm/ Cool white= lm
Dimmable support	Triac/PWM/0-10V/DALI/DMX512 (external)	Dimmable support	Triac/PWM/0-10V/DALI/DMX512 (external)

嵌入式侧发光发埋灯  
Recessed Inground Side-light







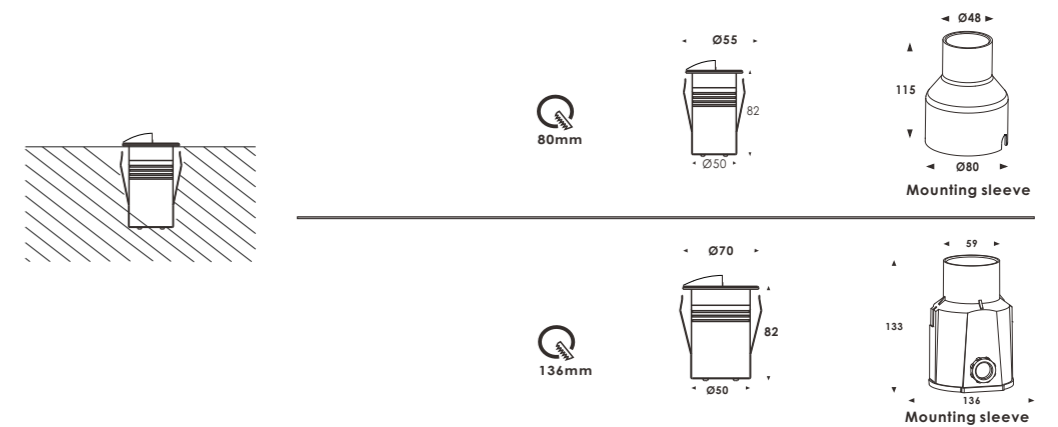
## 嵌入式侧出光埋地灯 Recessed Inground Side-light



WB2055R5\*α-A3-Y

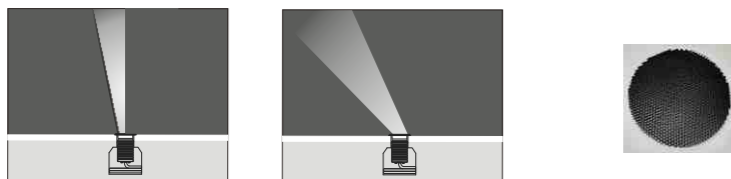
WB2070R5\*α-B3-Y

### Dimensions



### Product Introduction

1. Front cover: 12# Die-casting grey powder coated aluminum .T=60-80μm Adhesion of ISO class 1/ASTM class 4B high temperature painting
2. Housing: 12# Die-casting grey powder coated aluminum .T=60-80μm Adhesion of ISO class 1/ASTM class 4B high temperature painting
3. Driver: Constant current output, Constant current output
4. Glass: Step tempered glass
5. Mounting sleeve: ABS



### Product specifications

Item No.	WB2055R5*α-A3-Y	Item No.	WB2070R5*α-B3-Y
LED source	CREE	LED source	CREE
Beam angle	10°/25°/40°/60°	Beam angle	24°/40°/60°
LED color	2200K/2700K/3000K/4000K/5000K/6000K	LED color	2700K/3000K/4000K/5000K/6000K
Power	1*2W	Power	1*5W
Input voltage	DC 12V/DC 24V H05RN-F-2*1.0mm <sup>2</sup> AC 100~240V H05RN-F-3*0.75mm <sup>2</sup>	Input voltage	DC 12V/DC 24V H05RN-F-2*1.0mm <sup>2</sup> AC 100~240V H05RN-F-3*0.75mm <sup>2</sup>
Operating temperature	-20℃~40℃	Operating temperature	-20℃~40℃
IK rate	08	IK rate	08
Luminance(lm)	Warm white= lm/ Cool white= lm	Luminance(lm)	Warm white= lm/ Cool white= lm
Dimmable support	Triac/PWM/0-10V/DALI/DMX512 (internal)	Dimmable support	Triac/PWM/0-10V/DALI/DMX512 (internal)



## 嵌入式侧出光埋地灯 Recessed Inground Side-light Stainless steel front cover



WB2055R7\*a-A7-Y-1way

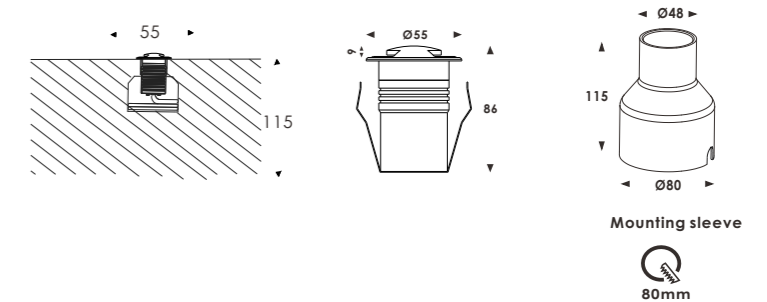


WB2055R7\*a-A7-Y-2way



WB2055R7\*a-A7-Y-4way

### Dimensions

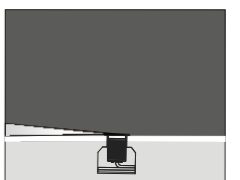


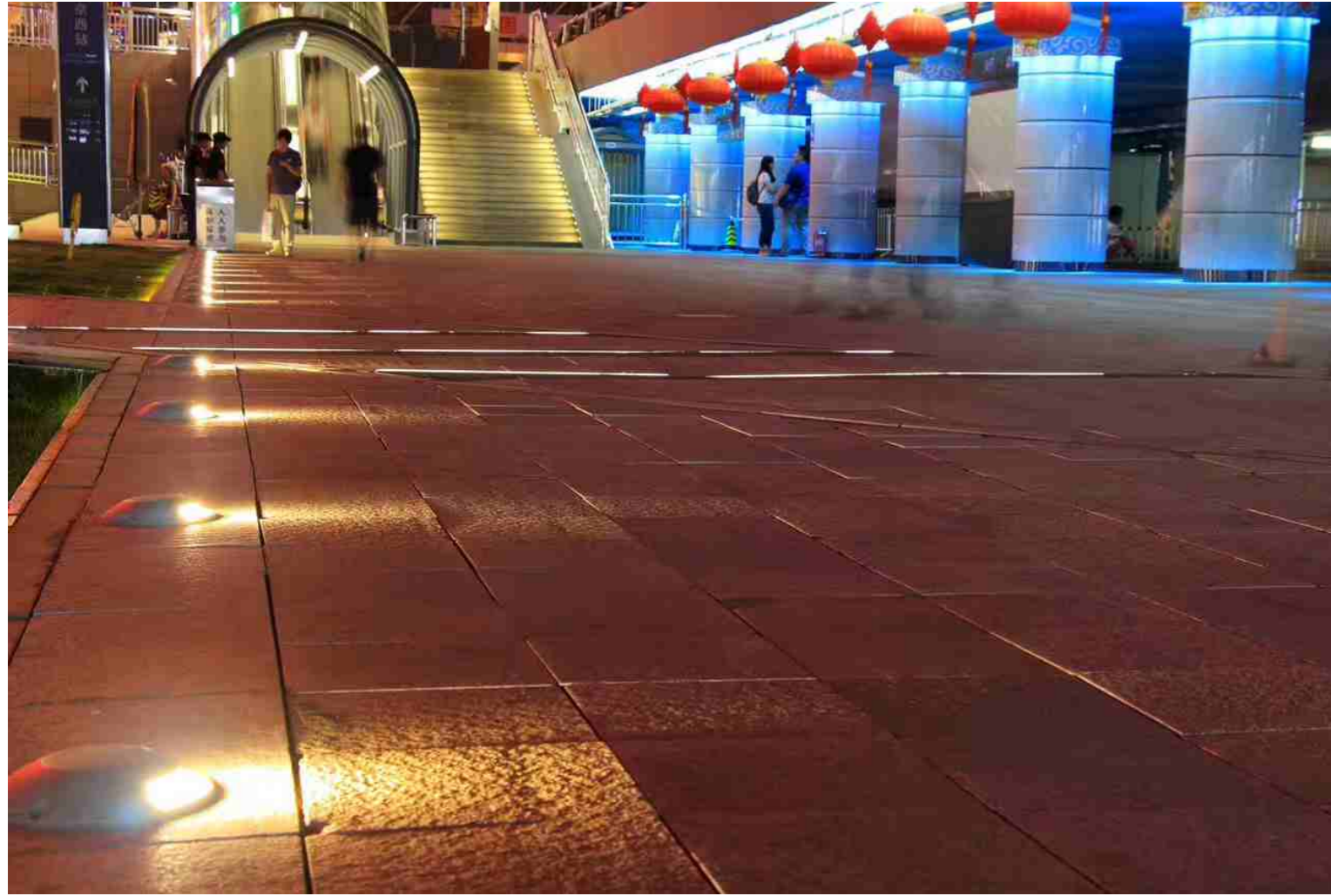
### 产品简介 Product Introduction

- 1.面盖:316 不锈钢
- 2.灯体:12# 压铸铝, 表面喷涂处理
- 3.驱动:恒压输入
- 4.玻璃:高强度钢化玻璃, 抗冲击耐摩擦
- 5.配件:预埋盒 ABS

- 1.Front cover :Stainless steel SUS316#
- 2.Housing:12# Die-casting grey powder coated aluminum.T=60-80µm Adhesion of ISO class 1/ASTM class 4B high temperature painting
- 3.Driver:Constant current output,Constant current output
- 4.Glass:Step tempered glass
- 5.Mounting sleeve:ABS

Product specifications	
Item No.	WB2055R7*a-A7-Y-1way/WB2055R7*a-A7-Y-2way/WB2055R7*a-A7-Y-4way
LED source	CREE
Beam angle	1way/2way/4way
LED color	2200K/2700K/3000K/4000K/5000K/6000K
Power	1*2W
Input voltage	DC 12V/DC24V H05RN-F-2*1.0mm <sup>2</sup> AC 100-240V H05RN-F-3*0.75mm <sup>2</sup>
Operating temperature	-20℃~40℃
IK rate	10
Luminance(lm)	Warm white= 1m/ Cool white= 1m
Dimmable support	Triac/PWM/0-10V/DALI/DMX512 (internal)





嵌入式侧出光埋地灯  
Recessed Inground Side-light  
Stainless steel front cover

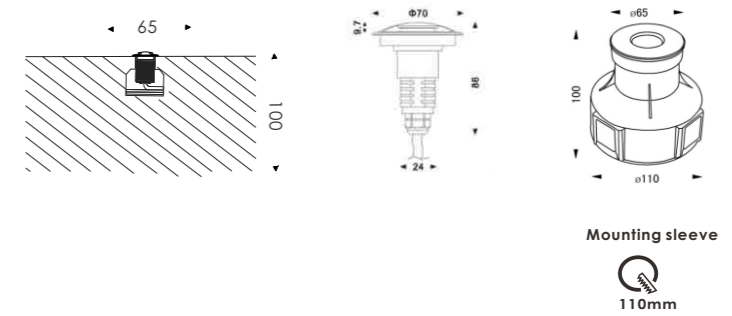


WB2070R7\*a-A7-Y-1way



WB2070R7\*a-A7-Y-2way

Dimensions



Mounting sleeve  
110mm

Product specifications

Item No.	WB2070R7*a-A7-Y-1way/WB2070R7*a-A7-Y-2way
LED source	CREE
Beam angle	1way/2way
LED color	2200K/2700K/3000K/4000K/5000K/6000K
Power	1*2W
Input voltage	DC 12V/DC 24V H05RN-F-2*1.0mm <sup>2</sup> AC 100-240V H05RN-F-3*0.75mm <sup>2</sup> (external)
Operating temperature	-20°C ~ 40°C
IK rate	10
Luminance(lm)	Warm white= 1m/ Cool white= 1m
Dimmable support	Triac/PWM/0-10V/DALI/DMX512 (external)



产品简介 Product Introduction

- 1.面盖:316 不锈钢
- 2.灯体:12# 压铸铝, 表面喷涂处理
- 3.驱动:恒压输入
- 4.玻璃:高强度钢化玻璃, 抗冲击耐摩擦
- 5.配件:预埋盒 ABS

- 1.Front cover :Stainless steel SUS316#
- 2.Housing:12# Die-casting grey powder coated aluminum.T=60-80μm Adhesion of ISO class 1/ASTM class 4B high temperature painting
- 3.Driver:Constant current output.Constant current output
- 4.Glass:Step tempered glass
- 5.Mounting sleeve:ABS





## 嵌入式侧出光埋地灯 Recessed Inground Side-light Stainless steel front cover

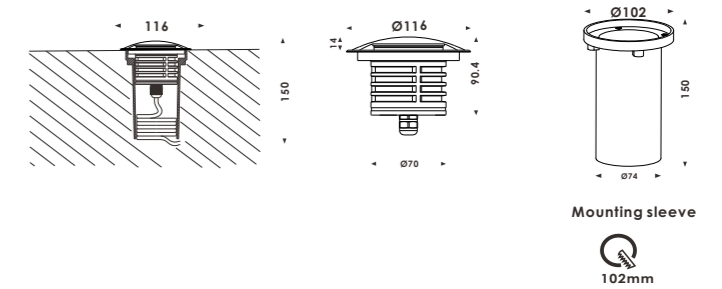


WB2116R7\*a-A7-Y-1way

WB2116R7\*a-A7-Y-2way

WB2116R7\*a-A7-Y-4way

### Dimensions



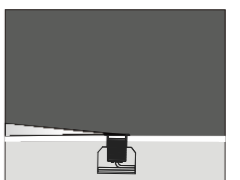
### 产品简介 Product Introduction

- 1.面盖:316 不锈钢
- 2.灯体:12# 压铸铝, 表面喷涂处理
- 3.驱动:恒压输入
- 4.玻璃:高强度钢化玻璃, 抗冲击耐摩擦
- 5.配件:预埋盒 ABS

- 1.Front cover :Stainless steel SUS316#
- 2.Housing:12# Die-casting grey powder coated aluminum.T=60-80µm Adhesion of ISO class 1/ASTM class 4B high temperature painting
- 3.Driver:Constant current output,Constant current output
- 4.Glass:Step tempered glass
- 5.Mounting sleeve:ABS

### Product specifications

Item No.	WB2116R7*a-A7-Y-1way/WB2116R7*a-A7-Y-2way/WB2116R7*a-A7-Y-4way
LED source	OSRAM
Beam angle	1way/2way/4way
LED color	2700K/3000K/4000K/5000K/6000K
Power	1.8W
Input voltage	DC 12V/DC24V H05RN-F-2*1.0mm <sup>2</sup> AC 100-240V H05RN-F-3*0.75mm <sup>2</sup>
Operating temperature	-20℃~40℃
IK rate	10
Luminance(lm)	Warm white= lm/ Cool white= lm
Dimmable support	Triac/PWM/0-10V/DALI/DMX512 (internal)





## 嵌入式侧出光埋地灯 Recessed Inground Side-light Stainless steel front cover



WB2173R7\* $\alpha$ -C7-Y-1way

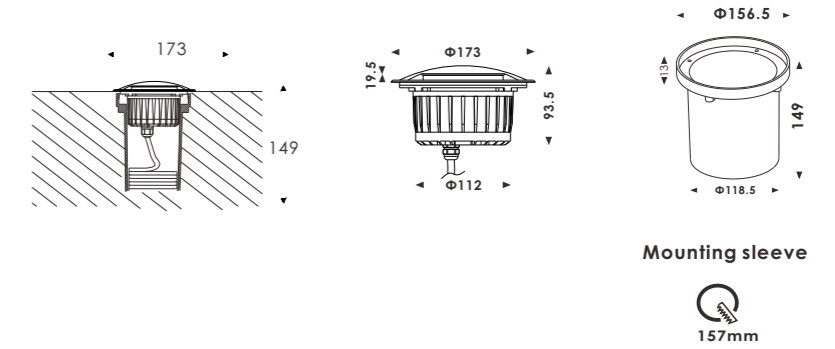


WB2173R7\* $\alpha$ -C7-Y-2way



WB2173R7\* $\alpha$ -C7-Y-4way

### Dimensions



### 产品简介 Product Introduction

- 1.面盖:316 不锈钢
- 2.灯体:12# 压铸铝, 表面喷涂处理
- 3.驱动:恒压输入
- 4.玻璃:高强度钢化玻璃, 抗冲击耐摩擦
- 5.配件:预埋盒 ABS

- 1.Front cover :Stainless steel SUS316#
- 2.Housing:12# Die-casting grey powder coated aluminum.T=60-80 $\mu$ m Adhesion of ISO class 1/ASTM class 4B high temperature painting
- 3.Driver:Constant current output,Constant current output
- 4.Glass:Step tempered glass
- 5.Mounting sleeve:ABS

Product specifications	
Item No.	WB2173R7* $\alpha$ -A7-Y-1way/WB2173R7* $\alpha$ -A7-Y-2way/WB2173R7* $\alpha$ -A7-Y-4way
LED source	OSRAM
Beam angle	1way/2way/4way
LED color	2700K/3000K/4000K/5000K/6000K
Power	6W
Input voltage	DC 12V/DC24V H05RN-F-2*1.0mm <sup>2</sup> AC 100~240V H05RN-F-3*0.75mm <sup>2</sup>
Operating temperature	-20 $^{\circ}$ C ~ 40 $^{\circ}$ C
IK rate	10
Luminance(lm)	Warm white= lm/ Cool white= lm
Dimmable support	Triac/PWM/0-10V/DALI/DMX512 (internal)





## 嵌入式埋地灯 Recessed Inground light

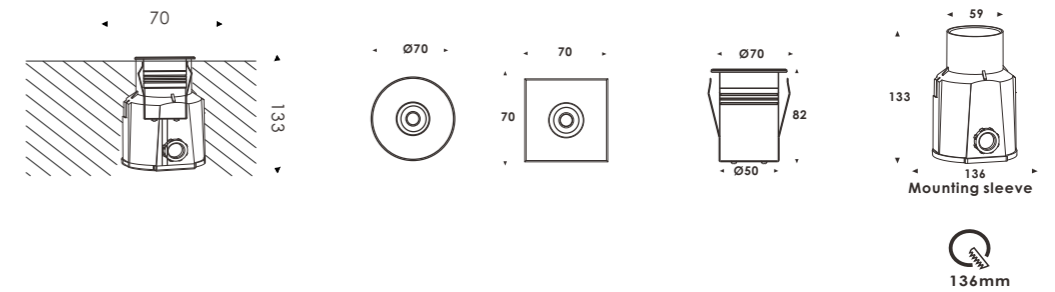


WB2070R1\*a-B3-Y



WB2070S1\*a-B3-Y

### Dimensions



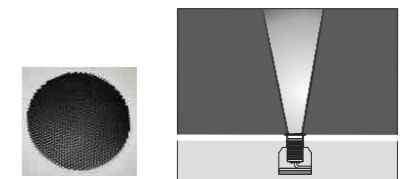
### 产品简介 Product Introduction

- 1.面盖:316 不锈钢
- 2.灯体:12# 压铸铝, 表面喷涂处理
- 3.驱动:恒压输入
- 4.玻璃:高强度钢化玻璃, 抗冲击耐摩擦
- 5.配件:预埋盒 ABS

- 1.Front cover :Stainless steel SUS316#
- 2.Housing:12# Die-casting grey powder coated aluminum.T=40-80μm Adhesion of ISO class 1/ASTM class 4B high temperature painting
- 3.Driver:Constant current output.Constant current output
- 4.Glass:Step tempered glass
- 5.Mounting sleeve:ABS

### Product specifications

Item No.	WB2070R1*a-B3-Y	Item No.	WB2070S1*a-B3-Y
LED source	CREE COB	LED source	CREE COB
Beam angle	24°/36°/60°	Beam angle	24°/36°/60°
LED color	2700K/3000K/4000K/5000K/6000K	LED color	2700K/3000K/4000K/5000K/6000K
Power	1*6W	Power	1*6W
Input voltage	DC12V/DC24V H05RN-F-2*1.0mm <sup>2</sup> AC100~240V H05RN-F-3*0.75mm <sup>2</sup>	Input voltage	DC12V/DC24V H05RN-F-2*1.0mm <sup>2</sup> AC100~240V H05RN-F-3*0.75mm <sup>2</sup>
Operating temperature	-20℃~40℃	Operating temperature	-20℃~40℃
IK rate	09	IK rate	09
Luminance(lm)	Warm white=320lm/ Cool white=360lm	Luminance(lm)	Warm white=320lm/ Cool white=360lm
Dimmable support	Triac/PWM/0-10V/DALI/DMX512 (internal)	Dimmable support	Triac/PWM/0-10V/DALI/DMX512 (internal)



## 嵌入式COB LED埋地灯 Recessed COB LED Inground Light



WB2116S2\*α-B4-Y

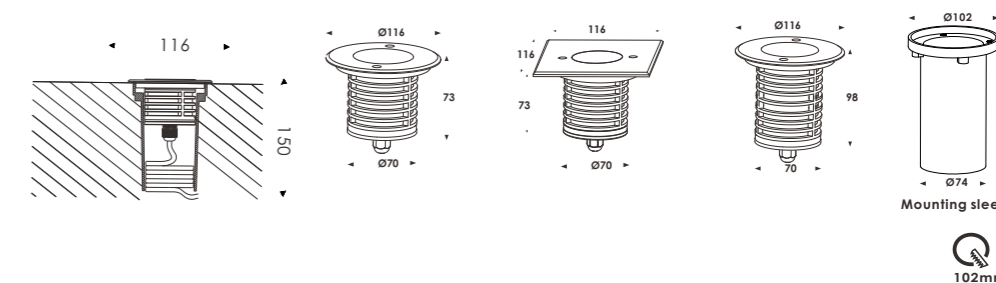


WB2116R2\*α-B4-Y



WB2116R2\*c-B3-Y

### Dimensions



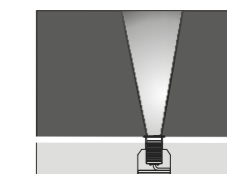
### 产品简介 Product Introduction

- 1.面盖:316 不锈钢
- 2.灯体:12# 压铸铝, 表面喷涂处理
- 3.驱动:恒压输入
- 4.玻璃:高强度钢化玻璃, 抗冲击耐摩擦
- 5.配件:预埋盒 ABS

- 1.Front cover :Stainless steel SUS316#
- 2.Housing:12# Die-casting grey powder coated aluminum.T=60-80μm Adhesion of ISO class 1/ASTM class 4B high temperature painting
- 3.Driver:Constant current output.Constant current output
- 4.Glass:Step tempered glass
- 5.Mounting sleeve:ABS

### Product specifications

Item No.	WB2116R2*α-B4/WB2116S2*α-B4-Y	Item No.	WB2116R2*c-B3-Y
LED source	CREE	LED source	CREE
Beam angle	25°/40°/60°	Beam angle	25°/40°/60°
LED color	2700K/3000K/4000K/5000K/6000K	LED color	2700K/3000K/4000K/5000K/6000K
Power	1*6W	Power	1*13W
Input voltage	DC12V/DC24V H05RN-F-2*1.0mm <sup>2</sup> AC100~240V H05RN-F-3*0.75mm <sup>2</sup>	Input voltage	DC12V/DC24V H05RN-F-2*1.0mm <sup>2</sup> AC100~240V H05RN-F-3*0.75mm <sup>2</sup>
Operating temperature	-20℃~40℃	Operating temperature	-20℃~40℃
IK rate	09	IK rate	09
Luminance(lm)	Warm white= lm/ Cool white= lm	Luminance(lm)	Warm white=120lm/ Cool white= lm
Dimmable support	Triac/PWM/0-10V/DALI/DMX512 (internal)	Dimmable support	Triac/PWM/0-10V/DALI/DMX512 (internal)



# 嵌入式COB LED埋地灯 Recessed COB LED Inground Light

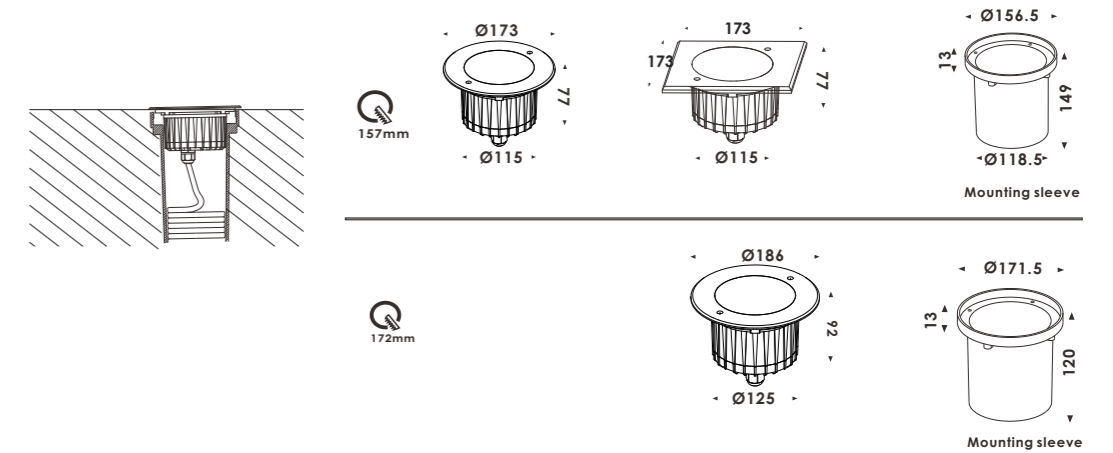


WB2173R2\*a-B3-Y



WB2186R2\*a-B3-Y

## Dimensions



## Product specifications

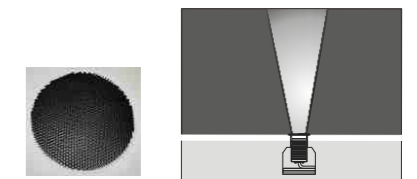
Item No.	WB2173R2*a-B3/WB2173S2*a-B3-Y	Item No.	WB2186R2*c-B3-Y
LED source	CREE	LED source	CREE
Beam angle	25°/40°/60°	Beam angle	25°/40°/60°
LED color	2700K/3000K/4000K/5000K/6000K	LED color	2700K/3000K/4000K/5000K/6000K
Power	1*14W	Power	1*20W
Input voltage	DC12V/DC24V H05RN-F-2*1.0mm <sup>2</sup> AC100~240V H05RN-F-3*0.75mm <sup>2</sup>	Input voltage	DC12V/DC24V H05RN-F-2*1.0mm <sup>2</sup> AC100~240V H05RN-F-3*0.75mm <sup>2</sup>
Operating temperature	-20℃~40℃	Operating temperature	-20℃~40℃
IK rate	09	IK rate	09
Luminance(lm)	Warm white= lm/ Cool white= lm	Luminance(lm)	Warm white=120lm/ Cool white= lm
Dimmable support	Triac/PWM/0-10V/DALI/DMX512 (internal)	Dimmable support	Triac/PWM/0-10V/DALI/DMX512 (internal)



## 产品简介Product Introduction

- 1.面盖:316 不锈钢
- 2.灯体:12# 压铸铝, 表面喷涂处理
- 3.驱动:恒压输入
- 4.玻璃:高强度钢化玻璃, 抗冲击耐摩擦
- 5.配件:预埋盒 ABS

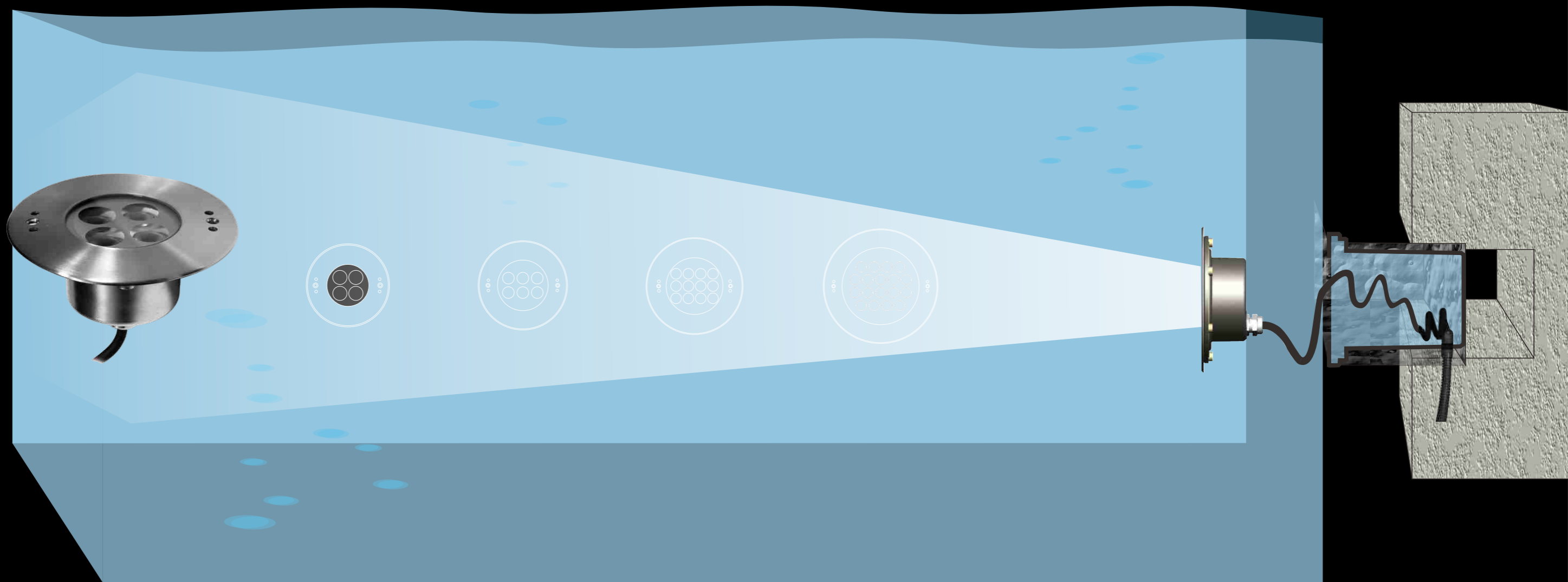
- 1.Front cover :Stainless steel SUS316#
- 2.Housing:12# Die-casting grey powder coated aluminum.T=60-80µm Adhesion of ISO class 1/ASTM class 4B high temperature painting
- 3.Driver:Constant current output,Constant current output
- 4.Glass:Step tempered glass
- 5.Mounting sleeve:ABS





嵌入式水下埋地灯  
Recessed LED Underwater Light Series

高可靠度水下灯具 防水性能出色  
Outstanding Waterproof Performance LED Underwater lights



**R G B WHITE**

**DMX512 CONTROL INSIDE**



## 嵌入式水下埋地灯 Recessed LED Underwater Light

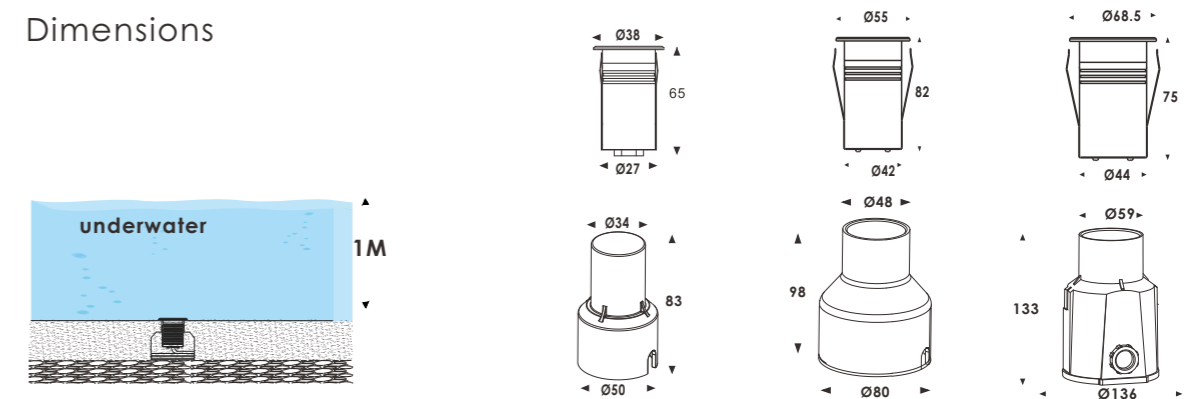


WB4038R1\*α-A3-Y

WB4055R1\*α-A3-Y

WB4068R1\*α-A3-Y

### Dimensions



### 产品简介 Product Introduction

1. 外观设计大方简洁, 优雅精致,
2. 玻璃采用8MM超白高强度钢化玻璃, 保证灯具光输出的超高效率 (90-95%) 和色温的准确性以及极强的抗冲击耐摩擦能力。
3. 面板采用316L不锈钢镀钛处理, 灯体采用316L不锈钢喷砂钝化处理, 具有出色耐腐蚀能力, 以确保海边等高酸碱环境的使用。
4. LED采用国际一线品牌美国CREE, 超高亮度输出, 光色一致性好, 显色指数大于80以上(可选90以上)。
5. 驱动模块也均采用国际一线品牌元器件, 保证灯具稳定与故障的低概率。
6. 灯具支持DMX512, 1-10V, DALI, TRIAC, PWM调光控制, 调光滑顺柔和。
7. IP68级别全时水下工作, 防水性能卓越, 常年保持千分之一以下漏水故障概率。
8. 配件: 预埋件采用高强度环保ABS。

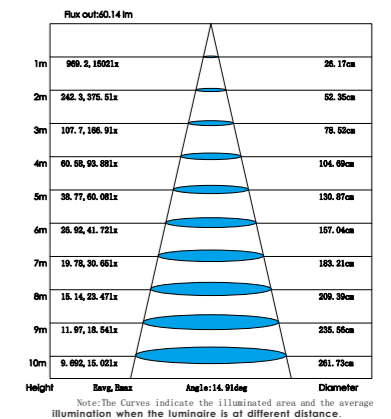
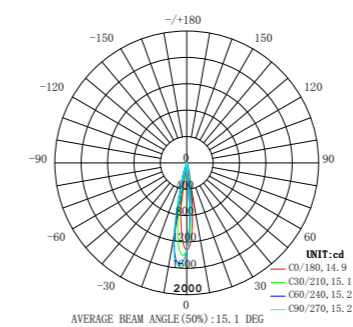
1. Concise and splendid design bring elegant and delicate appearance.
2. Highly clear and strengthen 8mm tempered glass cover, ensure high luminous efficacy (90-95%), outstanding accuracy of color temperature and excellent impact resistance and rub resistance.
3. 316L#titanium coated stainless steel cover & 316L#sandblasted passivating SS housing guarantees outstanding corrosion resistance and stability in high acid or high alkaline environments like seaside.
4. CREE LED as light source to achieve high lumen output, great photochromic consistency and CRI>80 Ra (>90 Ra is available).
5. Top brand electrical components like driving module to guarantee the luminous stability and low breakdown probability.
6. Supporting DMX512, 1-10V, DALI, TRIAC or PWM dimming system, bring smooth and soft dimming effect.
7. Full-time IP68 underwater working, remarkable waterproof performance and lower than 1‰ water leakage probability for long-term use.
8. Environmental friendly high strength ABS embedded parts.

**WARNING: Must be installed under the water to prevent the light from being burnt off because of over-heating.**

### Product specifications

Item No.	WB4038R1*α-A3-Y	Item No.	WB4055R1*α-A3-Y/WB4068R1*α-A3-Y
LED source	CREE	LED source	CREE
Beam angle	25°/30°/40°/60°	Beam angle	10°/20°/30°/40°/60°
LED color	2200K/2700K/3000K/4000K/5000K/6000K	LED color	2200K/2700K/3000K/4000K/5000K/6000K
Power	1*1.5W	Power	1*2W
Input voltage	DC12V/DC24V H05RN-F-2*1.0mm <sup>2</sup>	Input voltage	DC12V/DC24V H07RN-F-2*1.0mm <sup>2</sup>
Operating temperature	-20℃~40℃	Operating temperature	-20℃~40℃
IK rate	05	IK rate	08
Luminance(lm)	Warm white= 1m	Luminance(lm)	Warm white=22lm
Dimmable support	-	Dimmable support	Triac/PWM/0-10V/DALI/DMX512

### LUMINOUS INTENSITY DISTRIBUTION DIAGRAM





## 嵌入式水下埋地灯 Recessed LED Underwater Light

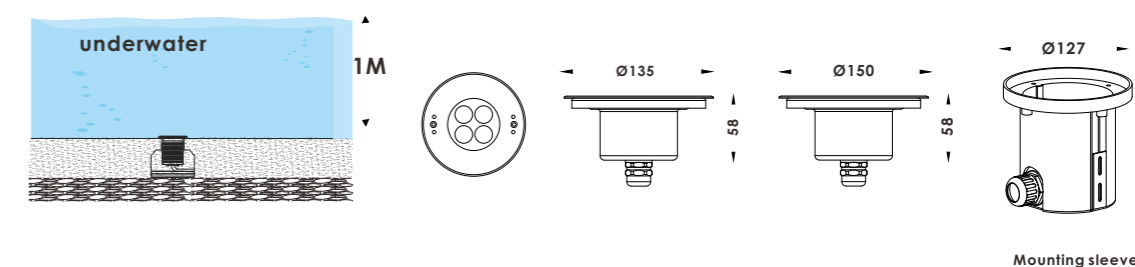


WB4135R2\*a-A5-Y



Overheat Sensor Inside

### Dimensions



### 产品简介 Product Introduction

1. 外观设计大方简洁, 优雅精致, 灯具自带温控保护功能, 以防水池未注水灯具干烧损坏LED。
2. 玻璃采用8MM超白高强度钢化玻璃, 保证灯具光输出的超高效率 (90-95%) 和色温的准确性以及极强的抗冲击耐摩擦能力。
3. 面板采用316L不锈钢, 灯体采用316L不锈钢喷砂钝化处理, 具有出色耐腐蚀能力, 以确保海边等高酸碱环境的使用。
4. LED采用国际一线品牌美国CREE, 超高亮度输出, 光色一致性好, 显色指数大于80以上(可选90以上)。
5. 驱动模块也均采用国际一线品牌元器件, 保证灯具稳定与故障的低概率。
6. 灯具支持DMX512, 1-10V, DALI, TRIAC, PWM调光控制, 调光平滑柔和。
7. IP68级别全时水下工作, 防水性能卓越, 常年保持千分之一以下漏水故障概率。
8. 配件-预埋件采用高强度环保ABS。

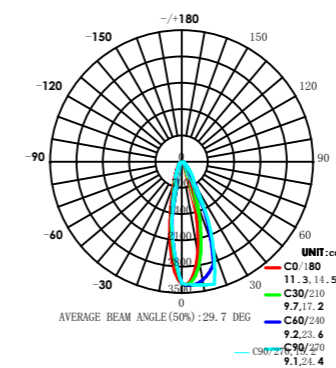
1. Concise and splendid design bring elegant and delicate appearance.
2. Highly clear and strengthen 8mm tempered glass cover, ensure high luminous efficacy (90-95%), outstanding accuracy of color temperature and excellent impact resistance and rub resistance.
3. 316L#titanium coated stainless steel cover & 316L#sandblasted passivating SS housing guarantees outstanding corrosion resistance and stability in high acid or high alkaline environments like seaside.
4. CREE LED as light source to achieve high lumen output, great photochromic consistency and CRI>80 Ra (>90 Ra is available).
5. Top brand electrical components like driving module to guarantee the luminous stability and low breakdown probability.
6. Supporting DMX512, 1-10V, DALI, TRIAC or PWM dimming system, bring smooth and soft dimming effect.
7. Full-time IP68 underwater working, remarkable waterproof performance and lower than 1‰ water leakage probability for long-term use.
8. Environmental friendly high strength ABS embedded parts.

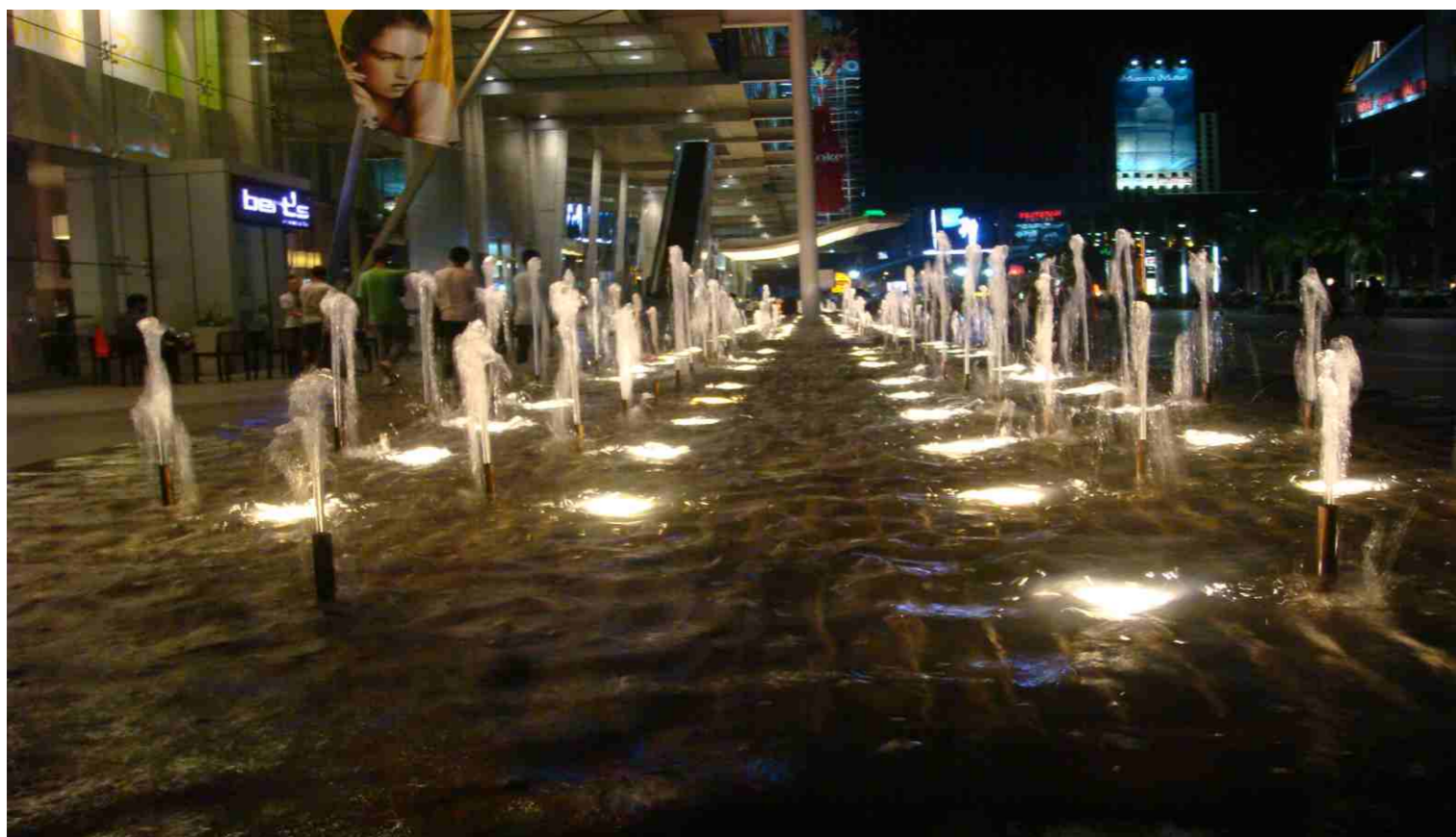
**WARNING: Must be installed under the water to prevent the light from being burnt off because of over-heating.**

### Product specifications

Item No.	WB4135R2*a-A3-Y/WB4150R2*a-A3-Y	Item No.	WB4135R2*a-A5-Y/WB4150R2*a-A5-Y
LED source	CREE	LED source	CREE
Beam angle	10°/20°/30°/40°/60°/100°	Beam angle	Asymmetric 10°/45°/60°
LED color	2200K/2700K/3000K/4000K/5000K/6000K	LED color	2200K/2700K/3000K/4000K/5000K/6000K
Power	4*2W	Power	4*2W
Input voltage	DC12V/DC24V H05RN-F-2*1.0mm <sup>2</sup>	Input voltage	DC12V/DC24V H05RN-F-2*1.0mm <sup>2</sup>
Operating temperature	-20°C~40°C	Operating temperature	-20°C~40°C
IK rate	08	IK rate	08
Luminance(lm)	Warm white= 1m	Luminance(lm)	Warm white= 1m
Dimmable support	Triac/PWM/0-10V/DALI/DMX512	Dimmable support	Triac/PWM/0-10V/DALI/DMX512

### LUMINOUS INTENSITY DISTRIBUTION DIAGRAM





## 嵌入式水下埋地灯 Recessed LED Underwater Light



WB4180R2βa-A3-Y

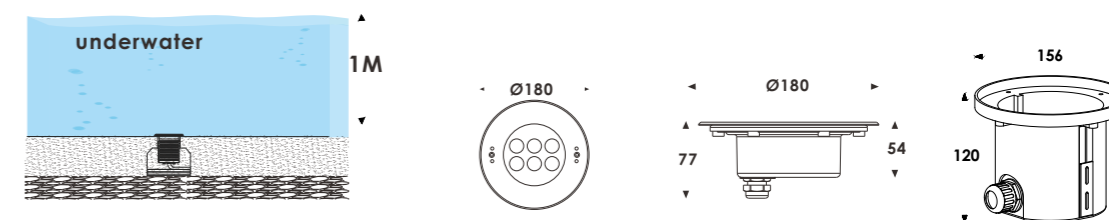


WB4180R2\*α-A3-Y



Overheat Sensor  
Inside

### Dimensions



Mounting sleeve



### 产品简介 Product Introduction

1. 外观设计大方简洁, 优雅精致, 灯具自带温控保护功能, 以防水池未注水灯具干烧损坏LED。
2. 玻璃采用8MM超白高强度钢化玻璃, 保证灯具光输出的超高效率 (90-95%) 和色温的准确性以及极强的抗冲击耐摩擦能力。
3. 面板采用316L不锈钢, 灯体采用316L不锈钢喷砂钝化处理, 具有出色耐腐蚀能力, 以确保海边等高酸碱环境的使用。
4. LED采用国际一线品牌美国CREE, 超高亮度输出, 光色一致性好, 显色指数大于80以上(可选90以上)。
5. 驱动模块也均采用国际一线品牌元器件, 保证灯具稳定与故障的低概率。
6. 灯具支持DMX512, 1-10V, DALI, TRIAC, PWM调光控制, 调光滑顺柔和。
7. IP68级别全时水下工作, 防水性能卓越, 常年保持千分之一以下漏水故障概率。
8. 配件: 预埋件采用高强度环保ABS。

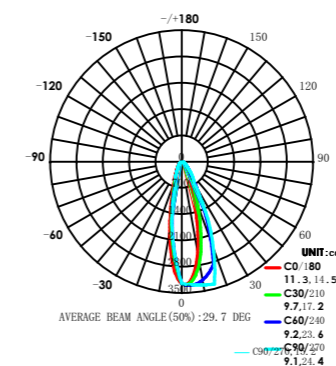
1. Concise and splendid design bring elegant and delicate appearance.
2. Highly clear and strength 8mm tempered glass cover, ensure high luminous efficacy (90-95%), outstanding accuracy of color temperature and excellent impact resistance and rub resistance.
3. 316L#titanium coated stainless steel cover & 316L#sandblasted passivating SS housing guarantees outstanding corrosion resistance and stability in high acid or high alkaline environments like seaside.
4. CREE LED as light source to achieve high lumen output, great photochromic consistency and CRI > 80 Ra (> 90 Ra is available).
5. Top brand electrical components like driving module to guarantee the luminous stability and low breakdown probability.
6. Supporting DMX512, 1-10V, DALI, TRIAC or PWM dimming system, bring smooth and soft dimming effect.
7. Full-time IP68 underwater working, remarkable waterproof performance and lower than 1‰ water leakage probability for long-term use.
8. Environmental friendly high strength ABS embedded parts.

**WARNING:** Must be installed under the water to prevent the light from being burnt off because of over-heating.

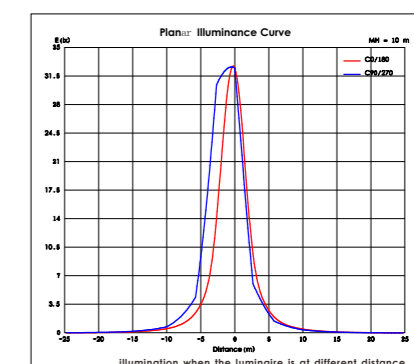
### Product specifications

Item No.	WB4180R2*α-A3-Y/WB4180R2βa-A3-Y	Item No.	WB4180R2*α-A5-Y/WB4180R2βa-A5-Y
LED source	CREE	LED source	CREE
Beam angle	10°/20°/30°/40°/60°/100°	Beam angle	Asymmetric 10°/45°/60°
LED color	2200K/2700K/3000K/4000K/5000K/6000K	LED color	2200K/2700K/3000K/4000K/5000K/6000K
Power	6*2W	Power	6*2W
Input voltage	DC12V/DC24V H07RN-F-2*1.0mm <sup>2</sup>	Input voltage	DC12V/DC24V H07RN-F-2*1.0mm <sup>2</sup>
Operating temperature	-20°C~40°C	Operating temperature	-20°C~40°C
IK rate	08	IK rate	08
Luminance(lm)	Warm white=1471lm	Luminance(lm)	Warm white= 1m
Dimmable support	Triac/PWM/0-10V/DALI/DMX512	Dimmable support	Triac/PWM/0-10V/DALI/DMX512

### LUMINOUS INTENSITY DISTRIBUTION DIAGRAM



### WB4180R2\*α-B3-Y



# 嵌入式水下埋地灯 Recessed LED Underwater Light



WB4205R2βa-A3-Y

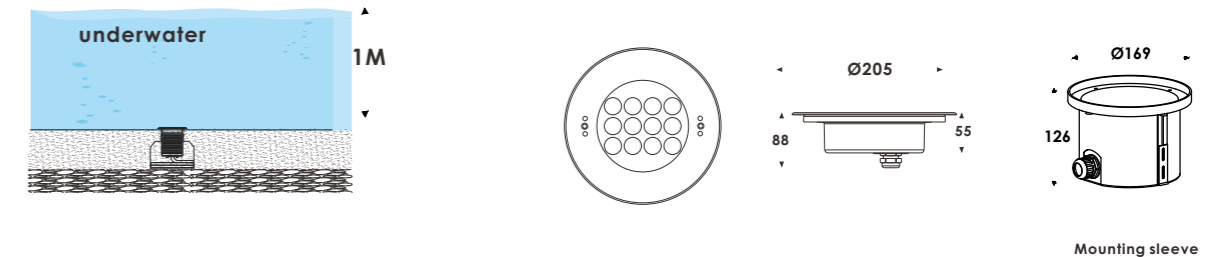


WB4205R1\*α-A3-Y



Overheat Sensor Inside

## Dimensions



## 产品简介 Product Introduction

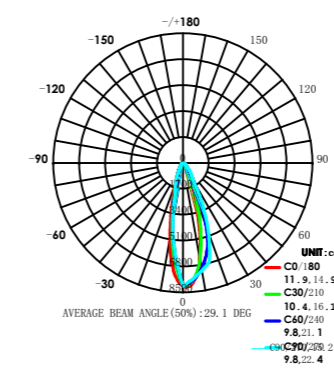
1. 外观设计大方简洁，优雅精致，灯具自带温控保护功能，以防水池未注水灯具干烧损坏LED。
2. 玻璃采用8MM超白高强度钢化玻璃,保证灯具光输出的超高效率（90-95%）和色温的准确性以及极强的抗冲击耐摩擦能力。
3. 面板采用316L不锈钢,灯体采用316L不锈钢喷砂钝化处理,具有出色耐腐蚀能力,以确保海边等高酸碱环境的使用。
4. LED采用国际一线品牌美国CREE,超高亮度输出,光色一致性好,显色指数大于80以上(可选90以上)。
5. 驱动模块也均采用国际一线品牌元器件,保证灯具稳定与故障的低概率。
6. 灯具支持DMX512,1-10V,DALI,TRIAC,PWM调光控制,调光滑顺柔和。
7. IP68级别全时水下工作,防水性能卓越,常年保持千分之一以下漏水故障概率。
8. 配件-预埋件采用高强度环保ABS。

1. Concise and splendid design bring elegant and delicate appearance.
2. Highly clear and strengthen 8mm tempered glass cover, ensure high luminous efficacy (90-95%), outstanding accuracy of color temperature and excellent impact resistance and rub resistance.
3. 316L# titanium coated stainless steel cover & 316L# sandblasted passivating SS housing guarantees outstanding corrosion resistance and stability in high acid or high alkaline environments like seaside.
4. CREE LED as light source to achieve high lumen output, great photochromic consistency and CRI > 80 Ra (> 90 Ra is available).
5. Top brand electrical components like driving module to guarantee the luminous stability and low breakdown probability.
6. Supporting DMX512, 1-10V, DALI, TRIAC or PWM dimming system, bring smooth and soft dimming effect.
7. Full-time IP68 underwater working, remarkable waterproof performance and lower than 1‰ water leakage probability for long-term use.
8. Environmental friendly high strength ABS embedded parts.

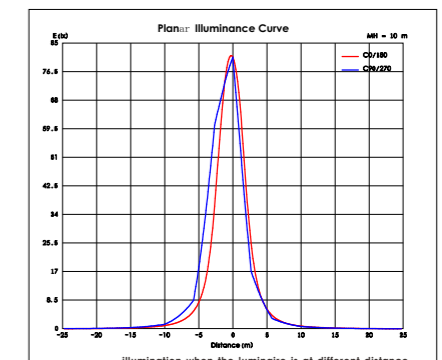
**WARNING: Must be installed under the water to prevent the light from being burnt off because of over-heating.**

Product specifications			
Item No.	WB4205R1*α-A3-Y/WB4205R2βa-A3-Y	Item No.	WB4205R1*α-A5-Y/WB4205R2βa-A5-Y
LED source	CREE	LED source	CREE
Beam angle	10°/20°/30°/40°/60°/100°	Beam angle	Asymmetric 10°/45°/60°
LED color	2200K/2700K/3000K/4000K/5000K/6000K	LED color	2200K/2700K/3000K/4000K/5000K/6000K
Power	12*2W	Power	12*2W
Input voltage	DC12V/DC24V H07RN-F-2*1.0mm <sup>2</sup>	Input voltage	DC12V/DC24V H07RN-F-2*1.0mm <sup>2</sup>
Operating temperature	-20 ~40	Operating temperature	-20 ~40
IK rate	08	IK rate	08
Luminance(lm)	Warm white=3217lm	Luminance(lm)	Warm white= 1m
Dimmable support	Triac/PWM/0-10V/DALI/DMX512	Dimmable support	Triac/PWM/0-10V/DALI/DMX512

## LUMINOUS INTENSITY DISTRIBUTION DIAGRAM



## WB4205R2\*α-B3-Y





## 嵌入式水下埋地灯 Recessed LED Underwater Light



WB4250R2 $\beta$ a-A3-Y-18

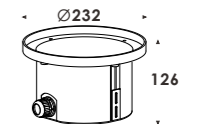
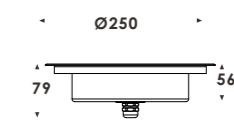
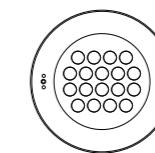
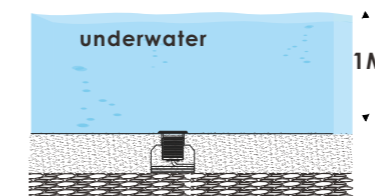


WB4250R1\* $\alpha$ -A3-Y-36



Overheat Sensor  
Inside

### Dimensions



Mounting sleeve

### Product specifications

Item No.	WB4250R2 $\beta$ a-A3-Y-18	Item No.	WB4250R1* $\alpha$ -A3-Y-36
LED source	CREE	LED source	CREE
Beam angle	10°/20°/30°/40°/60°/100°	Beam angle	8°/15°/30°/45°/60°
LED color	2200K/2700K/3000K/4000K/5000K/6000K	LED color	2200K/2700K/3000K/4000K/5000K/6000K
Power	18*2W	Power	36*1.5W
Input voltage	DC12V/DC24V H07RN-F-2*1.0mm <sup>2</sup>	Input voltage	DC12V/DC24V H07RN-F-2*1.0mm <sup>2</sup>
Operating temperature	-20°C~40°C	Operating temperature	-20°C~40°C
IK rate	10	IK rate	10
Luminance(lm)	Warm white= 1m	Luminance(lm)	Warm white=3572lm
Dimmable support	Triac/PWM/0-10V/DALI/DMX512	Dimmable support	Triac/PWM/0-10V/DALI/DMX512



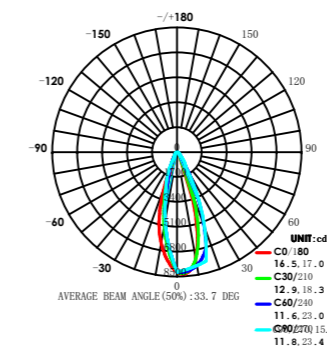
### 产品简介Product Introduction

1. 外观设计大方简洁, 优雅精致, 灯具自带温控保护功能, 以防水池未注水灯具干烧损坏LED。
2. 玻璃采用8MM超白高强度钢化玻璃, 保证灯具光输出的超高效率(90-95%)和色温的准确性以及极强的抗冲击耐摩擦能力。
3. 面板采用316L不锈钢, 灯体采用316L不锈钢喷砂钝化处理, 具有出色耐腐蚀能力, 以确保海边等高酸碱环境的使用。
4. LED采用国际一线品牌美国CREE, 超高亮度输出, 光色一致性好, 显色指数大于80以上(可选90以上)。
5. 驱动模块也均采用国际一线品牌元器件, 保证灯具稳定与故障的低概率。
6. 灯具支持DMX512, 1-10V, DALI, TRIAC, PWM调光控制, 调光滑顺柔和。
7. IP68级别全时水下工作, 防水性能卓越, 常年保持千分之一以下漏水故障概率。
8. 配件-预埋件采用高强度环保ABS。

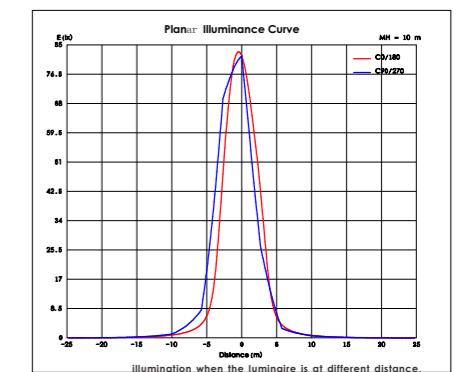
1. Concise and splendid design bring elegant and delicate appearance.
2. Highly clear and strengthen 8mm tempered glass cover, ensure high luminous efficacy (90-95%), outstanding accuracy of color temperature and excellent impact resistance and rub resistance.
3. 316L# titanium coated stainless steel cover & 316L# sandblasted passivating SS housing guarantees outstanding corrosion resistance and stability in high acid or high alkaline environments like seaside.
4. CREE LED as light source to achieve high lumen output, great photochromic consistency and CRI > 80 Ra (> 90 Ra is available).
5. Top brand electrical components like driving module to guarantee the luminous stability and low breakdown probability.
6. Supporting DMX512, 1-10V, DALI, TRIAC or PWM dimming system, bring smooth and soft dimming effect.
7. Full-time IP68 underwater working, remarkable waterproof performance and lower than 1% water leakage probability for long-term use.
8. Environmental friendly high strength ABS embedded parts.

**WARNING: Must be installed under the water to prevent the light from being burnt off because of over-heating.**

### LUMINOUS INTENSITY DISTRIBUTION DIAGRAM



### WB4250R2\* $\alpha$ -B3-Y



# 嵌入式水下埋地灯

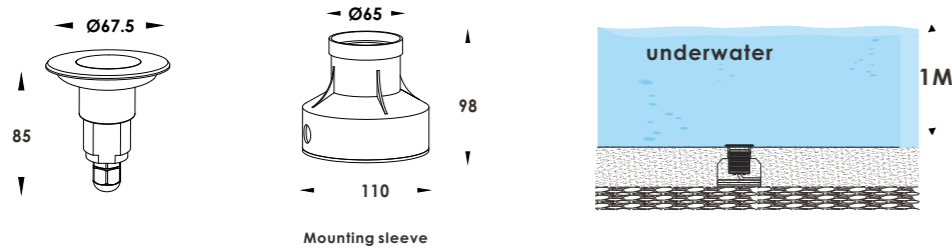
## Recessed LED Underwater Light



WB4067R1\*a-A3-Y



### Dimensions



### 产品简介Product Introduction

- 1.面盖:316L 不锈钢
- 2.灯体:316不锈钢
- 3.驱动:恒压输入
- 4.玻璃:高强度钢化玻璃, 抗冲击耐摩擦
- 5.配件:预埋盒ABS

- 1.Front cover: Stainless steel SUS 316L#
- 2.Body: Stainless steel SUS 316#
- 3.Driver:Constant current output,Constant current output
- 4.Glass:Step tempered glass
- 5.Mounting sleeve:ABS



**WARNING: Must be installed under the water to prevent the light from being burnt off because of over-heating.**

Product specifications	
Item No.	WB4067R1*a-A3-Y
LED source	CREE
Beam angle	25°/30°/40°/60°
LED color	2200K/2700K/3000K/4000K/5000K/6000K
Power	1*2W
Input voltage	DC12V/DC24V H05RN-F-2*1.0mm²
Operating temperature	-20°C~40°C
IK rate	05
Luminance(lm)	Warm white= 1m/ Cool white=1m
Dimmable support	-

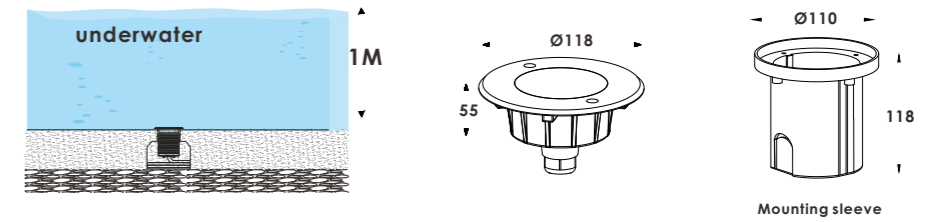
# 嵌入式水下埋地灯

## Recessed LED Underwater Light



WB4118R1\*a-A3-Y

### Dimensions



### 产品简介Product Introduction

- 1.面盖:316L 不锈钢
- 2.灯体:316不锈钢
- 3.驱动:恒压输入
- 4.玻璃:8M高强度钢化玻璃, 抗冲击耐摩擦
- 5.配件:预埋盒ABS

- 1.Front cover: Stainless steel SUS 316L#
- 2.Body: Stainless steel SUS 316#
- 3.Driver:Constant current output,Constant current output
- 4.Glass:Step tempered glass
- 5.Mounting sleeve:ABS



**WARNING: Must be installed under the water to prevent the light from being burnt off because of over-heating.**

Product specifications			
Item No.	WB4118R1*a-A3-Y	Item No.	WB4118R1*a-A5-Y
LED source	CREE	LED source	CREE
Beam angle	10°/20°/30°/40°/60°	Beam angle	Asymmetric 45°
LED color	2200K/2700K/3000K/4000K/5000K/6000K	LED color	2200K/2700K/3000K/4000K/5000K/6000K
Power	3*2W	Power	3*2W
Input voltage	DC12V/DC24V H05RN-F-2*1.0mm²	Input voltage	DC12V/DC24V H07RN-F-2*1.0mm²
Operating temperature	-20°C~40°C	Operating temperature	-20°C~40°C
IK rate	08	IK rate	08
Luminance(lm)	Warm white=492lm	Luminance(lm)	Warm white=481lm
Dimmable support	Triac/PWM/0-10V/DALI/DMX512	Dimmable support	Triac/PWM/0-10V/DALI/DMX512

# 嵌入式水下埋地灯

## Recessed LED Underwater Light

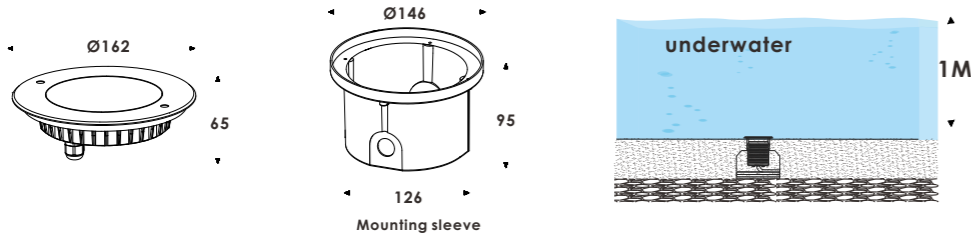


WB3162R1\*a-A3-Y-06



WB3162R1\*a-A5-Y-09

### Dimensions



### 产品简介 Product Introduction

- 1.面盖:316L 不锈钢
- 2.灯体:316不锈钢
- 3.驱动:恒压输入
- 4.玻璃:高强度钢化玻璃, 抗冲击耐摩擦
- 5.配件:预埋盒ABS



- 1.Front cover: Stainless steel SUS 316L#
- 2.Body: Stainless steel SUS 316#
- 3.Driver:Constant current output,Constant current output
- 4.Glass:Step tempered glass
- 5.Mounting sleeve:ABS

**WARNING: Must be installed under the water to prevent the light from being burnt off because of over-heating.**

Product specifications			
Item No.	WB4162R1*a-A3-Y-06	Item No.	WB4162R1*a-A3-Y-09
LED source	CREE	LED source	CREE
Beam angle	10°/20°/30°/40°/60°	Beam angle	25°/45°/60°
LED color	2200K/2700K/3000K/4000K/5000K/6000K	LED color	2200K/2700K/3000K/4000K/5000K/6000K
Power	6*2W	Power	9*1.5W
Input voltage	DC12V/DC24V H05RN-F-2*1.0mm <sup>2</sup>	Input voltage	DC12V/DC24V H07RN-F-2*1.0mm <sup>2</sup>
Operating temperature	-20°C~40°C	Operating temperature	-20°C~40°C
IK rate	08	IK rate	08
Luminance(lm)	Warm white=802 lm/ Cool white=1m	Luminance(lm)	Warm white= 1m/ Cool white= 1m
Dimmable support	Triac/PWM/0-10V/DALI/DMX512	Dimmable support	Triac/PWM/0-10V/DALI/DMX512

# 嵌入式水下埋地灯

## Recessed LED Underwater Light

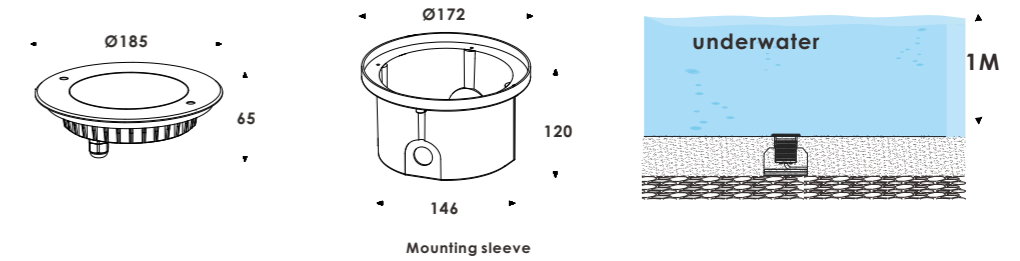


WB4185R1\*a-A5-Y



WB4185R1\*a-A3-Y

### Dimensions



### 产品简介 Product Introduction

- 1.面盖:316L 不锈钢
- 2.灯体:316不锈钢
- 3.驱动:恒压输入
- 4.玻璃:高强度钢化玻璃, 抗冲击耐摩擦
- 5.配件:预埋盒ABS



- 1.Front cover: Stainless steel SUS 316L#
- 2.Body: Stainless steel SUS 316#
- 3.Driver:Constant current output,Constant current output
- 4.Glass:Step tempered glass
- 5.Mounting sleeve:ABS

**WARNING: Must be installed under the water to prevent the light from being burnt off because of over-heating.**

Product specifications			
Item No.	WB4185R1*a-A3-Y	Item No.	WB4185R1*a-A5-Y
LED source	CREE	LED source	CREE
Beam angle	10°/20°/30°/40°/60°	Beam angle	Asymmetric 45°
LED color	2200K/2700K/3000K/4000K/5000K/6000K	LED color	2200K/2700K/3000K/4000K/5000K/6000K
Power	12*2W	Power	12*2W
Input voltage	DC12V/DC24V H05RN-F-2*1.0mm <sup>2</sup>	Input voltage	DC12V/DC24V H07RN-F-2*1.0mm <sup>2</sup>
Operating temperature	-20°C~40°C	Operating temperature	-20°C~40°C
IK rate	08	IK rate	08
Luminance(lm)	Warm white=1780 lm	Luminance(lm)	Warm white=1616 lm
Dimmable support	Triac/PWM/0-10V/DALI/DMX512	Dimmable support	Triac/PWM/0-10V/DALI/DMX512





## 嵌入式水下埋地灯 Recessed LED Underwater linear Light



WB4063L2βa-A5-Y-0.195M

WB4063L2βa-A3-Y-0.328M



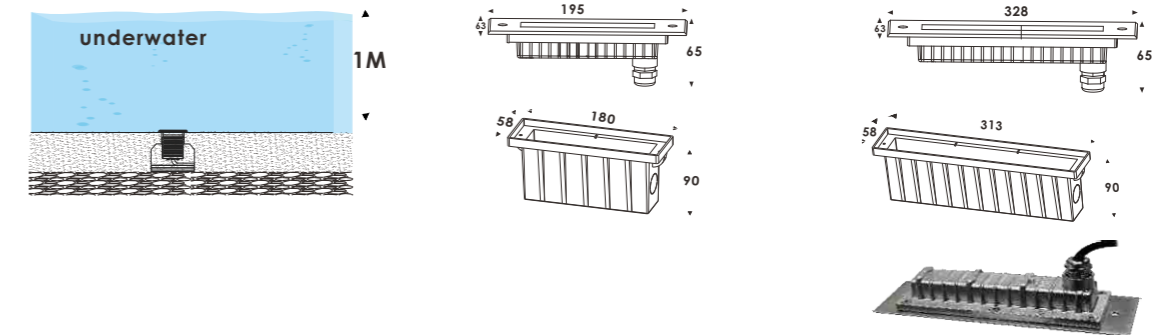
### 产品简介 Product Introduction

1. 外观设计大方简洁，优雅精致。
2. 玻璃采用8MM超白高强度钢化玻璃,保证灯具光输出的超高效率（90-95%）和色温的准确性以及极强的抗冲击耐摩擦能力。
3. 面板采用316L不锈钢,灯体采用316不锈钢喷砂钝化处理,具有出色耐腐蚀能力,以确保海边等高酸碱环境的使用。
4. LED采用国际一线品牌美国CREE,超高亮度输出,光色一致性好,显色指数大于80以上(可选90以上)。
5. 驱动模块也均采用国际一线品牌元器件,保证灯具稳定与故障的低概率。
6. 灯具支持DMX512,1-10V,DALI,TRIAC,PWM调光控制,调光滑顺柔和。
7. IP68级别全时水下工作,防水性能卓越,常年保持千分之一以下漏水故障概率。
8. 配件-预埋件采用高强度环保ABS。

1. Concise and splendid design bring elegant and delicate appearance.
2. Highly clear and strengthen 8mm tempered glass cover, ensure high luminous efficacy (90-95%), outstanding accuracy of color temperature and excellent impact resistance and rub resistance.
3. 316L#titanium coated stainless steel cover & 316L#sandblasted passivating SS housing guarantees outstanding corrosion resistance and stability in high acid or high alkaline environments like seaside.
4. CREE LED as light source to achieve high lumen output, great photochromic consistency and CRI>80 Ra (>90 Ra is available).
5. Top brand electrical components like driving module to guarantee the luminous stability and low breakdown probability.
6. Supporting DMX512, 1-10V, DALI, TRIAC or PWM dimming system, bring smooth and soft dimming effect.
7. Full-time IP68 underwater working, remarkable waterproof performance and lower than 1‰ water leakage probability for long-term use.
8. Environmental friendly high strength ABS embedded parts.

**WARNING:** Must be installed under the water to prevent the light from being burnt off because of over-heating.

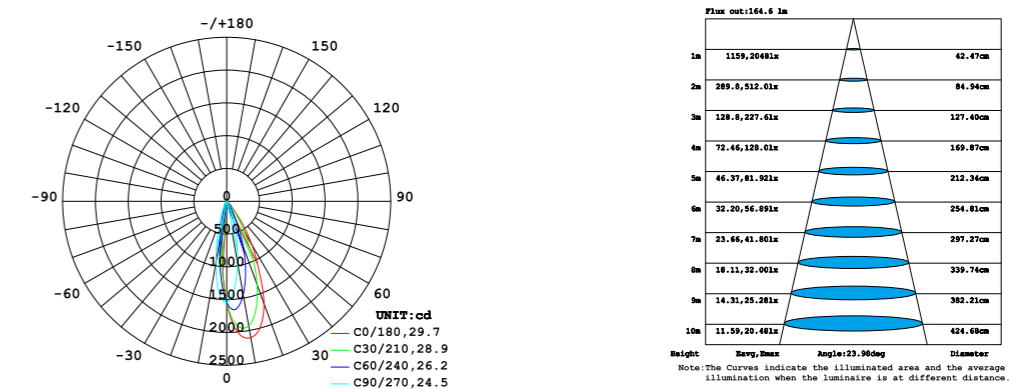
### Dimensions



### Product specifications

Item No.	WB4063L2βa-A5-Y-0.195	Item No.	WB4063L2βa-A5-Y-0.328
LED source	CREE	LED source	CREE
Beam angle	Asymmetric 10°/45°/60°	Beam angle	Asymmetric 10°/45°/60°
LED color	2200K/2700K/3000K/4000K/5000K/6000K	LED color	2200K/2700K/3000K/4000K/5000K/6000K
Power	3*2W	Power	6*2W
Input voltage	DC12V/DC24V H05RN-F-2*1.0mm²	Input voltage	DC12V/DC24V H05RN-F-2*1.0mm²
Operating temperature	-20°C~40°C	Operating temperature	-20°C~40°C
IK rate	08	IK rate	08
Luminance(lm)	Warm white=362 lm	Luminance(lm)	Warm white= 610 lm
Dimmable support	Triac/PWM/0-10V/DALI/DMX512	Dimmable support	Triac/PWM/0-10V/DALI/DMX512

### LUMINOUS INTENSITY DISTRIBUTION DIAGRAM



大功率喷泉灯  
LED Fountain Light

高可靠度水下灯具 防水性能出色  
Outstanding Waterproof Performance LED Underwater lights





## 产品简介 Product Introduction

1. 外观设计大方简洁，优雅精致。
2. 玻璃采用8MM超白高强度钢化玻璃,保证灯具光输出的超高效率（90-95%）和色温的准确性以及极强的抗冲击耐摩擦能力。
3. 面板采用316不锈钢，灯体采用316不锈钢喷砂钝化处理，具有出色耐腐蚀能力，以确保海边等高酸碱环境的使用。
4. LED采用国际一线品牌美国CREE，超高亮度输出，光色一致性好，显色指数大于80以上(可选90以上)。
5. 驱动模块也均采用国际一线品牌元器件，保证灯具稳定与故障的低概率。
6. 灯具支持DMX512,1-10V,DALI,TRIAC,PWM调光控制,调光滑顺柔和。
7. IP68级别全时水下工作，防水性能卓越，常年保持千分之一以下漏水故障概率。

1. Concise and splendid design bring elegant and delicate appearance.
2. Highly clear and strengthen 8mm tempered glass cover, ensure high luminous efficacy (90-95%), outstanding accuracy of color temperature and excellent impact resistance and rub resistance.
3. 316# titanium coated stainless steel cover & 316L# sandblasted passivating SS housing guarantees outstanding corrosion resistance and stability in high acid or high alkaline environments like seaside.
4. CREE LED as light source to achieve high lumen output, great photochromic consistency and CRI > 80 Ra (> 90 Ra is available).
5. Top brand electrical components like driving module to guarantee the luminous stability and low breakdown probability.
6. Supporting DMX512, 1-10V, DALI, TRIAC or PWM dimming system, bring smooth and soft dimming effect.
7. Full-time IP68 underwater working, remarkable waterproof performance and lower than 1‰ water leakage probability for long-term use.
8. Environmental friendly high strength ABS embedded parts.

## 大功率喷泉灯 High power LED Fountain light

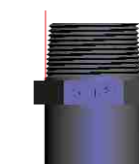


WB4180R1Πα-A3-X-09

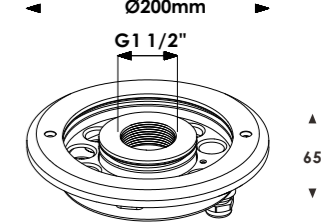
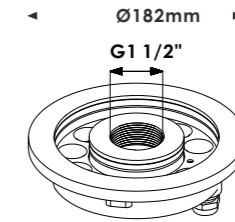


WB4200R2Πα-A3-X-09

### Dimensions



Water jet pipe  
G 1 1/2" taper



### Product specifications

Item No.	WB4180R1Πα-A3-X-09/WB4200R1Πα-a3-X-09
LED source	CREE
Beam angle	10°/20°/30°/40°/60°
LED color	2200K/2700K/3000K/4000K/5000K/6000K
Power	9*2W
Input voltage	DC12V/DC24V H05RN-F-2*1.0mm <sup>2</sup>
Operating temperature	-20°C~40°C
IK rate	08
Luminance(lm)	Warm white= 1m
Dimmable support	Triac/PWM/0-10V/DALI/DMX512

**WARNING: Must be installed under the water to prevent the light from being burnt off because of over-heating.**

# 大功率喷泉灯 High power LED Fountain light

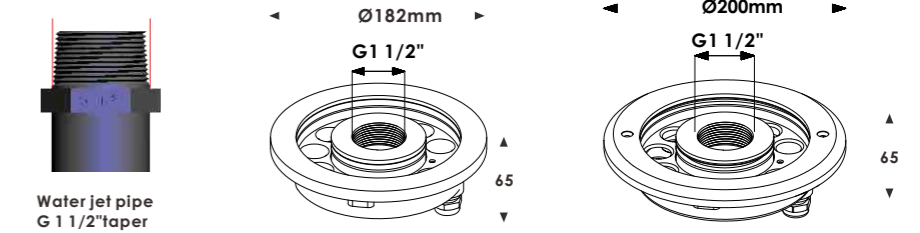


WB4180R1πa-A3-X-12



WB4200R2πa-A3-X-12

## Dimensions



## 产品简介 Product Introduction

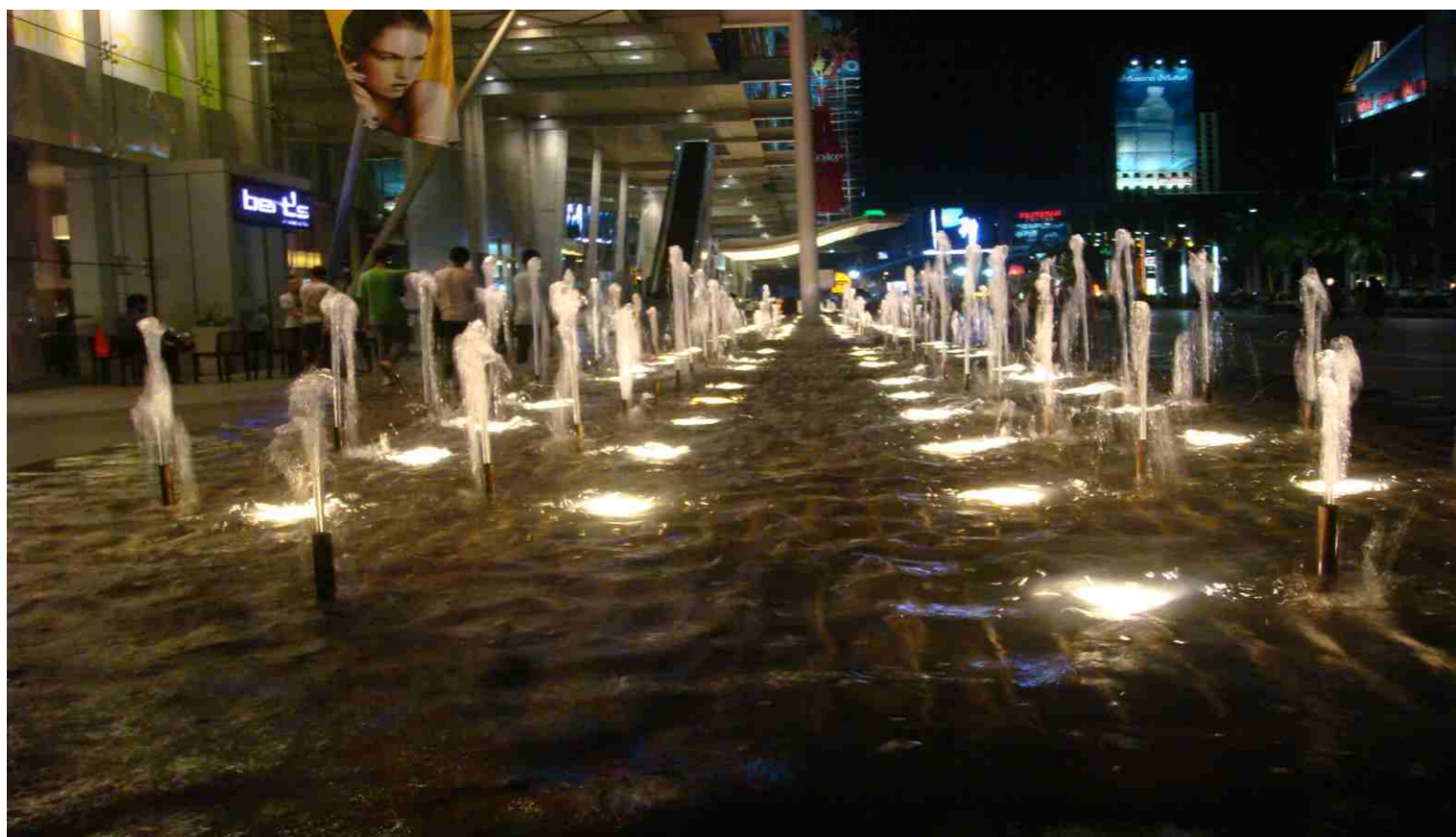
1. 外观设计大方简洁, 优雅精致。
2. 玻璃采用8MM超白高强度钢化玻璃, 保证灯具光输出的超高效率 (90-95%) 和色温的准确性以及极强的抗冲击耐摩擦能力。
3. 面板采用316不锈钢, 灯体采用316不锈钢喷砂钝化处理, 具有出色耐腐蚀能力, 以确保海边等高酸碱环境的使用。
4. LED采用国际一线品牌美国CREE, 超高亮度输出, 光色一致性好, 显色指数大于80以上(可选90以上)。
5. 驱动模块也均采用国际一线品牌元器件, 保证灯具稳定与故障的低概率。
6. 灯具支持DMX512, 1-10V, DALI, TRIAC, PWM调光控制, 调光顺滑柔和。
7. IP68级别全时水下工作, 防水性能卓越, 常年保持千分之一以下漏水故障概率。

1. Concise and splendid design bring elegant and delicate appearance.
2. Highly clear and strengthen 8mm tempered glass cover, ensure high luminous efficacy (90-95%), outstanding accuracy of color temperature and excellent impact resistance and rub resistance.
3. 316#titanium coated stainless steel cover & 316L#sandblasted passivating SS housing guarantees outstanding corrosion resistance and stability in high acid or high alkaline environments like seaside.
4. CREE LED as light source to achieve high lumen output, great photochromic consistency and CRI>80 Ra (>90 Ra is available).
5. Top brand electrical components like driving module to guarantee the luminous stability and low breakdown probability.
6. Supporting DMX512, 1-10V, DALI, TRIAC or PWM dimming system, bring smooth and soft dimming effect.
7. Full-time IP68 underwater working, remarkable waterproof performance and lower than 1% water leakage probability for long-term use.
8. Environmental friendly high strength ABS embedded parts.

## Product specifications

Item No.	WB4180R1πa-A3-X-12/WB4200R1πa-a3-X-12
LED source	CREE
Beam angle	10°/20°/30°/40°/60°
LED color	2200K/2700K/3000K/4000K/5000K/6000K
Power	12*2W
Input voltage	DC12V/DC24V H05RN-F-2*1.0mm <sup>2</sup>
Operating temperature	-20°C~40°C
IK rate	08
Luminance(lm)	Warm white= 1m
Dimmable support	Triac/PWM/0-10V/DALI/DMX512

**WARNING:** Must be installed under the water to prevent the light from being burnt off because of over-heating.



## 产品简介 Product Introduction

1. 外观设计大方简洁, 优雅精致。
2. 玻璃采用8MM超白高强度钢化玻璃, 保证灯具光输出的超高效率 (90-95%) 和色温的准确性以及极强的抗冲击耐摩擦能力。
3. 面板采用316不锈钢, 灯体采用316不锈钢喷砂钝化处理, 具有出色耐腐蚀能力, 以确保海边等高酸碱环境的使用。
4. LED采用国际一线品牌美国CREE, 超高亮度输出, 光色一致性好, 显色指数大于80以上(可选90以上)。
5. 驱动模块也均采用国际一线品牌元器件, 保证灯具稳定与故障的低概率。
6. 灯具支持DMX512, 1-10V, DALI, TRIAC, PWM调光控制, 调光滑顺柔和。
7. IP68级别全时水下工作, 防水性能卓越, 常年保持千分之一以下漏水故障概率。

1. Concise and splendid design bring elegant and delicate appearance.
2. Highly clear and strengthen 8mm tempered glass cover, ensure high luminous efficacy (90-95%), outstanding accuracy of color temperature and excellent impact resistance and rub resistance.
3. 316L titanium coated stainless steel cover & 316L sandblasted passivating SS housing guarantees outstanding corrosion resistance and stability in high acid or high alkaline environments like seaside.
4. CREE LED as light source to achieve high lumen output, great photochromic consistency and CRI > 80 Ra (> 90 Ra is available).
5. Top brand electrical components like driving module to guarantee the luminous stability and low breakdown probability.
6. Supporting DMX512, 1-10V, DALI, TRIAC or PWM dimming system, bring smooth and soft dimming effect.
7. Full-time IP68 underwater working, remarkable waterproof performance and lower than 1% water leakage probability for long-term use.
8. Environmental friendly high strength ABS embedded parts.

## 大功率喷泉灯 High power LED Fountain light

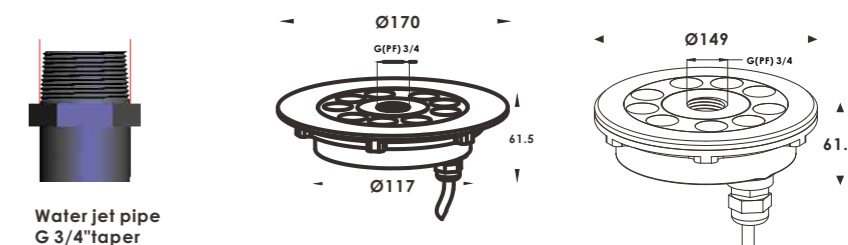


WB4170R2Πα-A3-X-09



WB4149R2Πα-A3-X-09

## Dimensions



Water jet pipe  
G 3/4" taper

## Product specifications

Item No.	WB4179R2Πα-A3-X-09/WB4149R2Πα-a3-X-09
LED source	CREE
Beam angle	10°/20°/30°/40°/60°
LED color	2200K/2700K/3000K/4000K/5000K/6000K
Power	9*2W
Input voltage	DC12V/DC24V H05RN-F-2*1.0mm <sup>2</sup>
Operating temperature	-20°C~40°C
IK rate	08
Luminance(lm)	Warm white= 1m
Dimmable support	Triac/PWM/0-10V/DALI/DMX512

**WARNING:** Must be installed under the water to prevent the light from being burnt off because of over-heating.

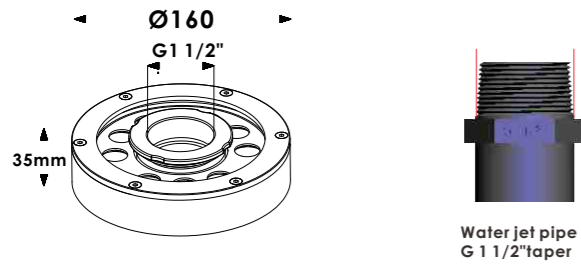
# 大功率喷泉灯

## High power LED Fountain light



WB4160R1πa-A3-X-09

### Dimensions



Water jet pipe  
G 1 1/2"taper

### 产品简介Product Introduction

- 1.面盖:304 不锈钢
- 2.灯体:304不锈钢
- 3.驱动:恒压输入
- 4.玻璃:高强度钢化玻璃, 抗冲击耐摩擦



- 1.Front cover: Stainless steel SUS 316L#
- 2.Body: Stainless steel SUS 316#
- 3.Driver:Constant current output,Constant current output
- 4.Glass:Step tempered glass

**WARNING:Must be installed under the water to prevent the light from being burnt off because of over-heating.**

Product specifications	
Item No.	WB4160R1πa-A3-X-09
LED source	CREE
Beam angle	10°/20°/30°/40°/60°
LED color	2700K/3000K/4000K/5000K/6000K
Power	9*2W
Input voltage	DC12V/DC24V H05RN-F-2*1.0mm²
Operating temperature	-20°C~40°C
IK rate	08
Luminance(lm)	Warm white=1762 lm
Dimmable support	Triac/PWM/0-10V/DALI/DMX512

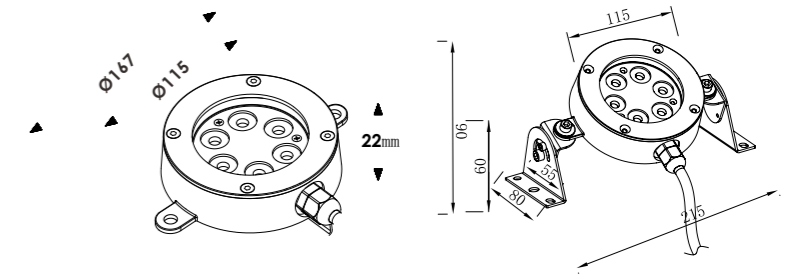
# 大功率喷泉灯

## High power LED Fountain light



WB4115R1\*a-A3-X

### Dimensions



### 产品简介Product Introduction

- 1.面盖:316# 不锈钢
- 2.灯体:316#不锈钢
- 3.驱动:恒压输入
- 4.玻璃:高强度钢化玻璃, 抗冲击耐摩擦
- 5.配件:预埋盒ABS



- 1.Front cover: Stainless steel SUS 316#
- 2.Body: Stainless steel SUS 316#
- 3.Driver:Constant current output,Constant current output
- 4.Glass:Step tempered glass
- 5.Mounting sleeve:ABS

**WARNING:Must be installed under the water to prevent the light from being burnt off because of over-heating.**

Product specifications	
Item No.	WB4115R1*a-A3-X
LED source	CREE
Beam angle	10°/20°/30°/40°/60°
LED color	2700K/3000K/4000K/5000K/6000K
Power	6*2W
Input voltage	DC12V/DC24V H05RN-F-2*1.0mm²
Operating temperature	-20°C~40°C
IK rate	08
Luminance(lm)	Warm white=800 lm
Dimmable support	Triac/PWM/0-10V/DALI/DMX512

LED水下投光灯  
LED Underwater Spot Light Series

匠心营造



AVERAGE BEAM ANGLE (50%) : 27.3 DEG



## 产品简介 Product Introduction

- 1.面盖:316L 不锈钢
- 2.灯体:316不锈钢
- 3.驱动:恒压输入
- 4.玻璃:高强度钢化玻璃, 抗冲击耐摩擦
- 5.支架:316不锈钢

- 1.Front cover: Stainless steel SUS 316L#
- 2.Body: Stainless steel SUS 316#
- 3.Driver:Constant current output,Constant current output
- 4.Glass:Step tempered glass
- 5.Bracket:Stainless steel SUS316#

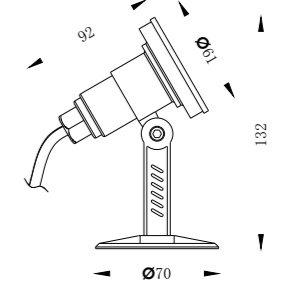
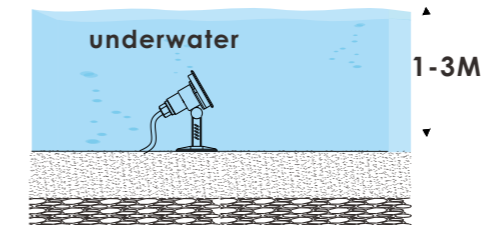


## LED水下投光灯 Underwater Spot Light



WB5061R1\*a-A3-T

### Dimensions



### Product specifications

Item No.	WB5061R1*a-A3-T
LED source	CREE
Beam angle	10°/20°/30°/40°/60°
LED color	2700K/3000K/4000K/5000K/6000K
Power	1*2W
Input voltage	DC12V/DC24V H05RN-F-2*1.0mm <sup>2</sup>
Operating temperature	-20°C~40°C
IK rate	08
Luminance(lm)	Warm white= 1m
Dimmable support	Triac/PWM/0-10V/DALI/DMX512

**WARNING:** Must be installed under the water to prevent the light from being burnt off because of over-heating



# LED水下投光灯 Led Underwater Spot Light

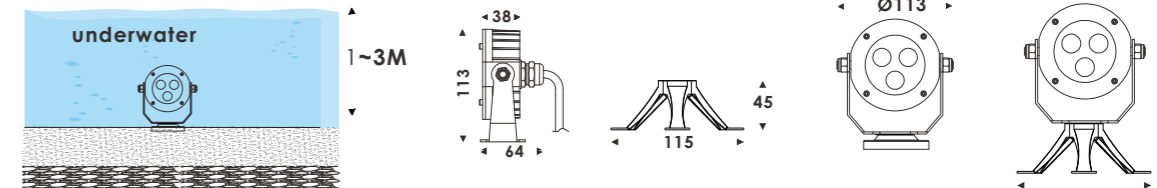


WB5113R2\*a-B3-M



WB5113R1\*a-A3-T

## Dimensions



## 产品简介 Product Introduction

- 1.面盖:316L 不锈钢
- 2.灯体:316不锈钢
- 3.驱动:恒压输入
- 4.玻璃:高强度钢化玻璃, 抗冲击耐摩擦
- 5.支架:316不锈钢

- 1.Front cover: Stainless steel SUS 316L#
- 2.Body: Stainless steel SUS 316#
- 3.Driver:Constant current output,Constant current output
- 4.Glass:Step tempered glass
- 5.Bracket:Stainless steel SUS316#



## Product specifications

Item No.	WB5113R1*a-A3-T	Item No.	WB5113R2*a-B3-M
LED source	CREE	LED source	CREE
Beam angle	10°/20°/30°/40°/60°	Beam angle	25°/45°/60°
LED color	2200K/2700K/3000K/4000K/5000K/6000K	LED color	2700K/3000K/4000K/5000K/6000K
Power	3*2W	Power	1*6W
Input voltage	DC12V/DC24V H05RN-F-2*1.0mm <sup>2</sup>	Input voltage	DC12V/DC24V H07RN-F-2*1.0mm <sup>2</sup>
Operating temperature	-20°C~40°C	Operating temperature	-20°C~40°C
IK rate	08	IK rate	08
Luminance(lm)	Warm white= 1m	Luminance(lm)	Warm white= 1m
Dimmable support	Triac/PWM/0-10V/DALI/DMX512	Dimmable support	Triac/PWM/0-10V/DALI/DMX512

**WARNING: Must be installed under the water to prevent the light from being burnt off because of over-heating**



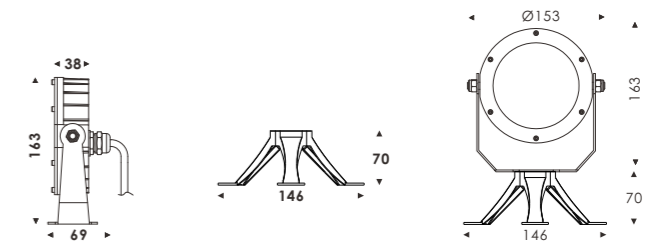
## LED水下投光灯 Led Underwater Spot Light



WB5153R1\*a-A3-T-06



WB5153R1\*a-A3-T-09



### 产品简介 Product Introduction

- 1.面盖:316L 不锈钢
- 2.灯体:316不锈钢
- 3.驱动:恒压输入
- 4.玻璃:高强度钢化玻璃, 抗冲击耐摩擦
- 5.支架:316不锈钢

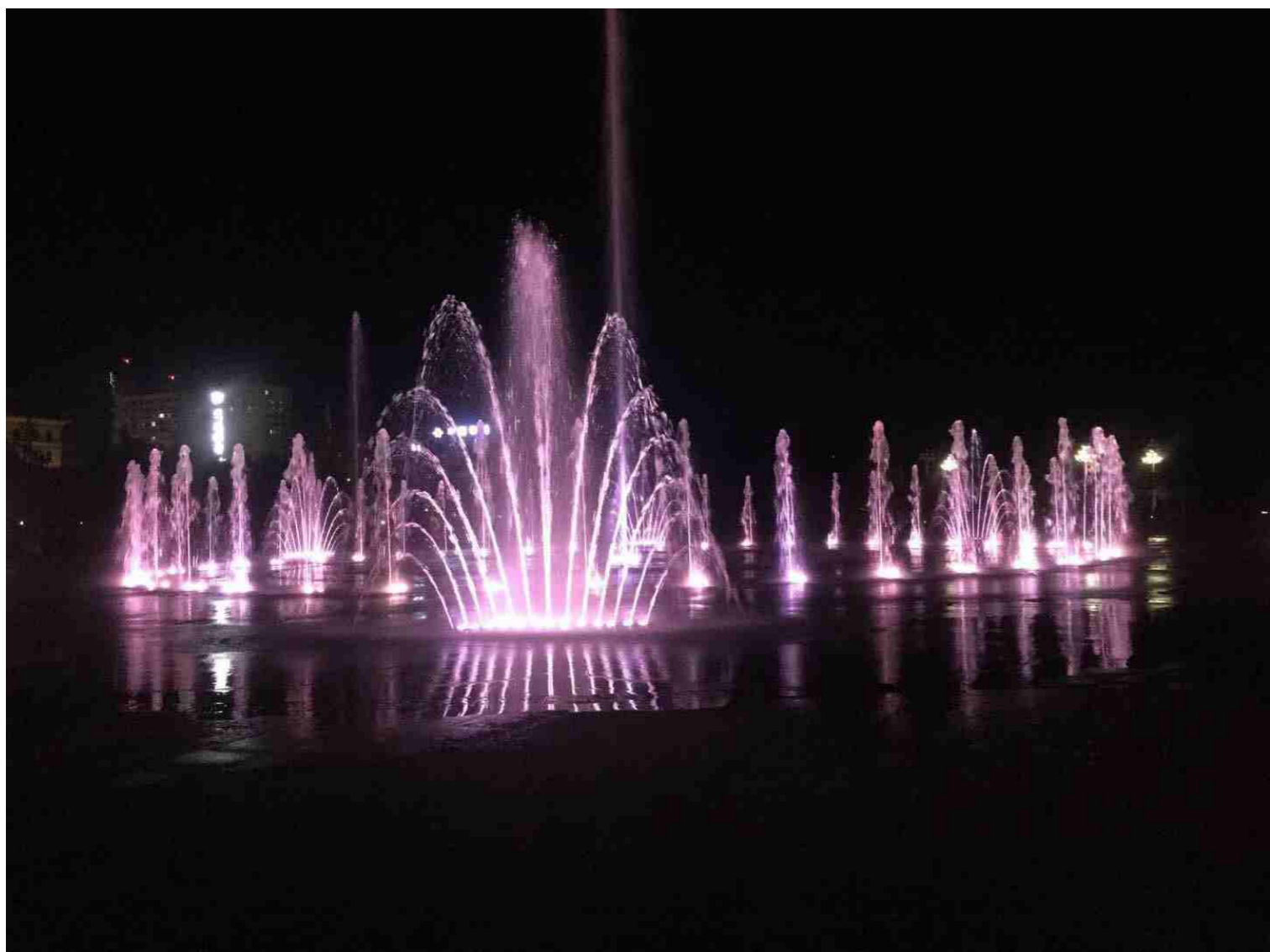
- 1.Front cover: Stainless steel SUS 316L#
- 2.Body: Stainless steel SUS 316#
- 3.Driver:Constant current output,Constant current output
- 4.Glass:Step tempered glass
- 5.Bracket:Stainless steel SUS316#



### Product specifications

Item No.	WB5153R1*a-A3-T-06	Item No.	WB5153R1*a-A3-T-09
LED source	CREE	LED source	CREE
Beam angle	10°/20°/30°/40°/60°	Beam angle	25°/45°/60°
LED color	2200K/2700K/3000K/4000K/5000K/6000K	LED color	2700K/3000K/4000K/5000K/6000K
Power	6*2W	Power	9*1.5W
Input voltage	DC12V/DC24V H05RN-F-2*1.0mm <sup>2</sup>	Input voltage	DC12V/DC24V H07RN-F-2*1.0mm <sup>2</sup>
Operating temperature	-20°C~40°C	Operating temperature	-20°C~40°C
IK rate	08	IK rate	08
Luminance(lm)	Warm white= 1m	Luminance(lm)	Warm white= 1m
Dimmable support	Triac/PWM/0-10V/DALI/DMX512	Dimmable support	Triac/PWM/0-10V/DALI/DMX512

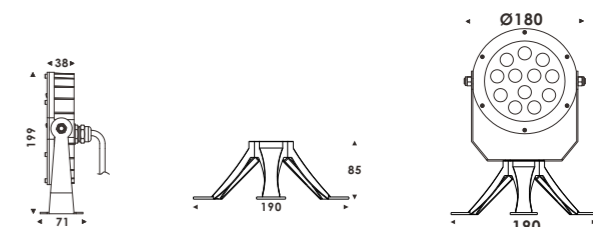
**WARNING: Must be installed under the water to prevent the light from being burnt off because of over-heating**



## LED水下投光灯 Led Underwater Spot Light



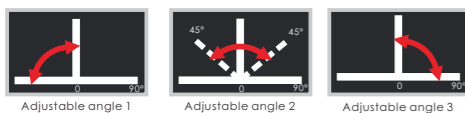
WB5180R1\*a-A3-T



### 产品简介 Product Introduction

- 1.面盖:316L 不锈钢
- 2.灯体:316不锈钢
- 3.驱动:恒压输入
- 4.玻璃:高强度钢化玻璃, 抗冲击耐摩擦
- 5.支架:316不锈钢

- 1.Front cover: Stainless steel SUS 316L#
- 2.Body: Stainless steel SUS 316#
- 3.Driver:Constant current output,Constant current output
- 4.Glass:Step tempered glass
- 5.Bracket:Stainless steel SUS316#



### Product specifications

Item No.	WB5180R1*a-A3-T
LED source	CREE
Beam angle	10°/20°/30°/40°/60°
LED color	2200K/2700K/3000K/4000K/5000K/6000K
Power	12*2W
Input voltage	DC12V/DC24V H07RN-F-2*1.0mm <sup>2</sup>
Operating temperature	-20°C~40°C
IK rate	08
Luminance(lm)	Warm white= 1m
Dimmable support	Triac/PWM/0-10V/DALI/DMX512

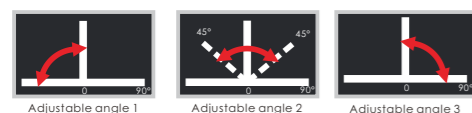
**WARNING: Must be installed under the water to prevent the light from being burnt off because of over-heating**



## 产品简介 Product Introduction

- 1.面盖:316L 不锈钢
- 2.灯体:316不锈钢
- 3.驱动:恒压输入
- 4.玻璃:高强度钢化玻璃, 抗冲击耐摩擦
- 5.支架:316不锈钢

- 1.Front cover: Stainless steel SUS 316L#
- 2.Body: Stainless steel SUS 316#
- 3.Driver:Constant current output,Constant current output
- 4.Glass:Step tempered glass
- 5.Bracket:Stainless steel SUS316#

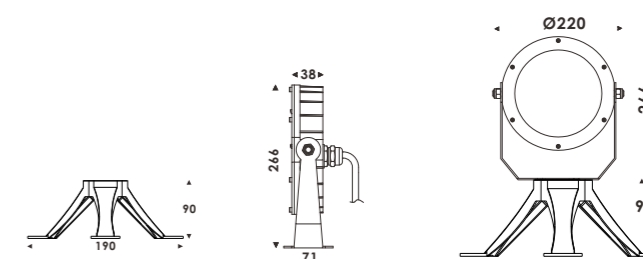


## LED水下投光灯 Led Underwater Spot Light



WB5220R1\*a-A3-T

### Dimensions



### Product specifications

Item No.	WB5220R1*a-A3-T
LED source	CREE
Beam angle	10°/20°/30°/40°/60°
LED color	2200K/2700K/3000K/4000K/5000K/6000K
Power	24*2W
Input voltage	DC12V/DC24V H07RN-F-2*1.0mm <sup>2</sup>
Operating temperature	-20°C~40°C
IK rate	08
Luminance(lm)	Warm white= 1m
Dimmable support	Triac/PWM/0-10V/DALI/DMX512

**WARNING:** Must be installed under the water to prevent the light from being burnt off because of over-heating.

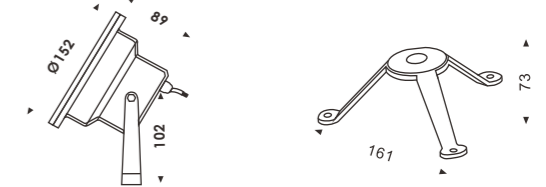


## LED水下投光灯 Led Underwater Spot Light



WB5152R1\*a-A3-T

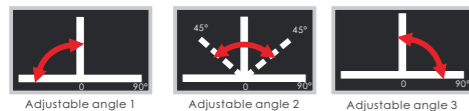
### Dimensions



### 产品简介 Product Introduction

- 1.面盖:304 不锈钢
- 2.:灯体:304不锈钢
- 3.驱动:恒压输入
- 4.玻璃:高强度钢化玻璃, 抗冲击耐摩擦
- 5.支架:316不锈钢

- 1.Front cover: Stainless steel SUS 304#
- 2.Body: Stainless steel SUS 304#
- 3.Driver:Constant current output,Constant current output
- 4.Glass:Step tempered glass
- 5.Bracket:Stainless steel SUS316#



Product specifications	
Item No.	WB5152R1*a-A3-T
LED source	CREE
Beam angle	20°/30°/40°/60°
LED color	2700K/3000K/4000K/5000K/6000K
Power	9*2W
Input voltage	DC 12V/DC24V H05RN-F-2*1.0mm²
Operating temperature	-20°C~40°C
IK rate	08
Luminance(lm)	Warm white= lm
Dimmable support	Triac/PWM/0-10V/DALI/DMX512

**WARNING:** Must be installed under the water to prevent the light from being burnt off because of over-heating.

# LED水下投光灯

## Led Underwater Spot Light

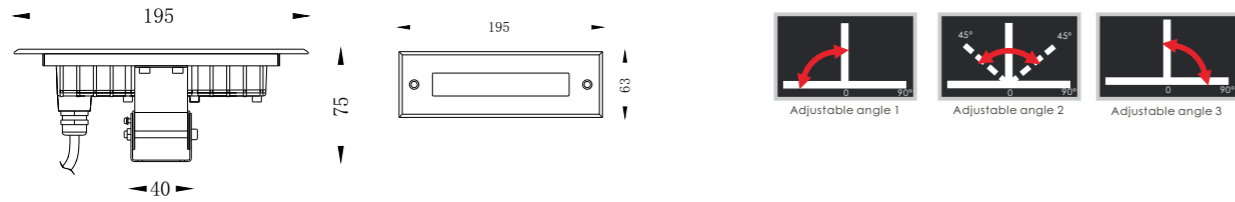


WB5063L2βa-A3-T-0.195



Stainless steel bracket & angle adjustable

### Dimensions



### 产品简介Product Introduction

- 1.面盖:316L 不锈钢
- 2.灯体:316不锈钢
- 3.驱动:恒压输入
- 4.玻璃:高强度钢化玻璃, 抗冲击耐摩擦
- 5.支架:316不锈钢



- 1.Front cover: Stainless steel SUS 316L#
- 2.Body: Stainless steel SUS 316#
- 3.Driver:Constant current output,Constant current output
- 4.Glass:Step tempered glass
- 5.Bracket:Stainless steel SUS316#

**WARNING:Must be installed under the water to prevent the light from being burnt off because of over-heating.**

Product specifications	
Item No.	WB5063L2βa-A5-Y-0.195
LED source	CREE
Beam angle	25°/45°/60°
LED color	2200K/2700K/3000K/4000K/5000K/6000K
Power	3*2W
Input voltage	DC12V/DC24V H05RN-F-2*1.0mm <sup>2</sup>
Operating temperature	-20°C~40°C
IK rate	08
Luminance(lm)	Warm white= lm
Dimmable support	Triac/PWM/0-10V/DALI/DMX512

# LED水下投光灯

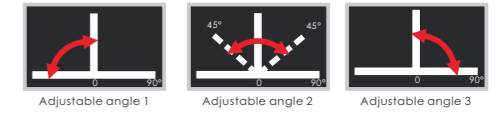
## Led Underwater Spot Light



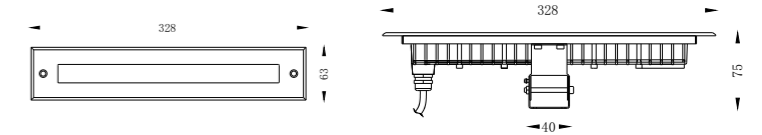
WB5063L2βa-A3-T-0.328



Stainless steel bracket & angle adjustable



### Dimensions



### 产品简介Product Introduction

- 1.面盖:316L 不锈钢
- 2.灯体:316不锈钢
- 3.驱动:恒压输入
- 4.玻璃:高强度钢化玻璃, 抗冲击耐摩擦
- 5.支架:316不锈钢

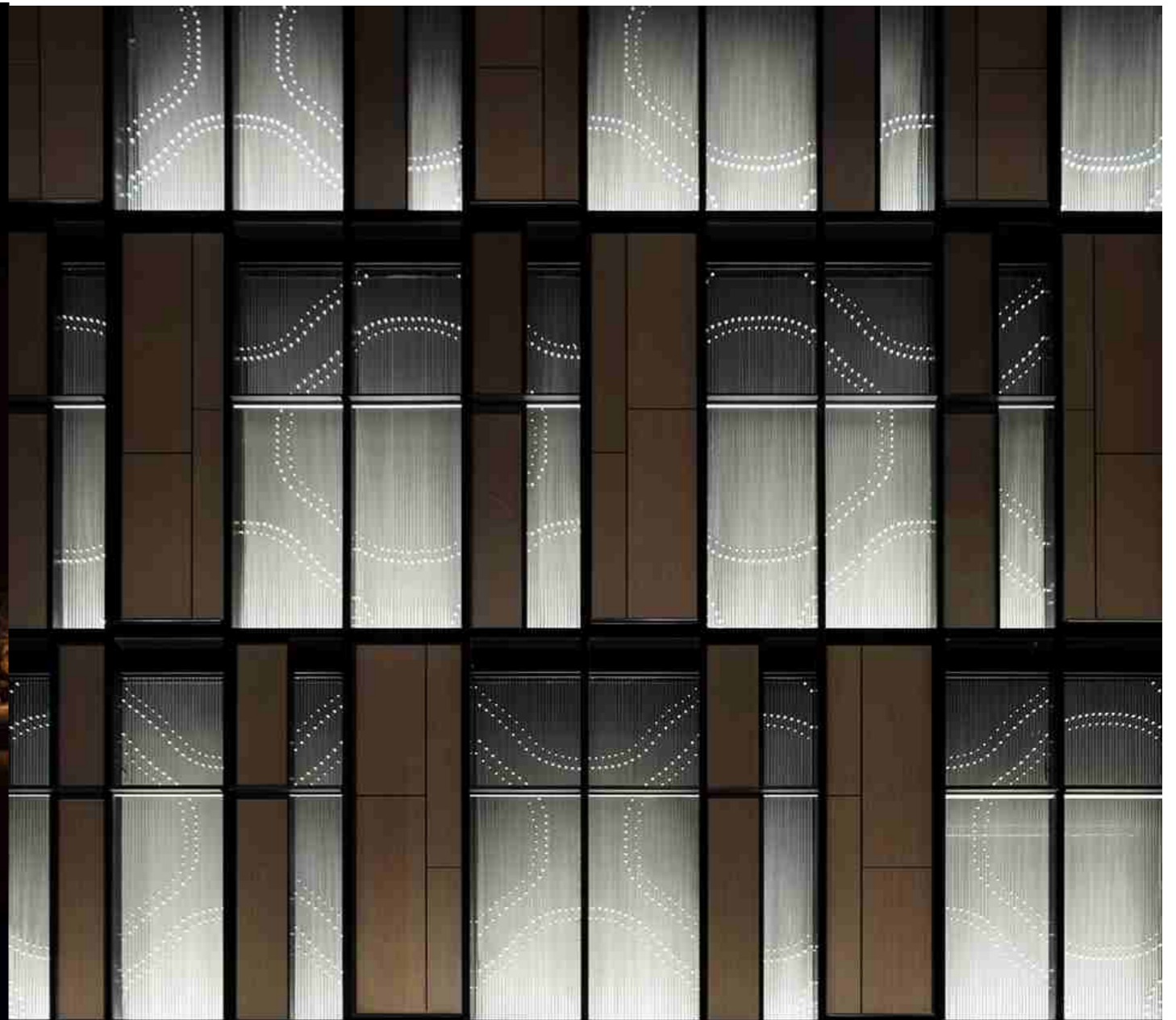


- 1.Front cover: Stainless steel SUS 316L#
- 2.Body: Stainless steel SUS 316#
- 3.Driver:Constant current output,Constant current output
- 4.Glass:Step tempered glass
- 5.Bracket:Stainless steel SUS316#

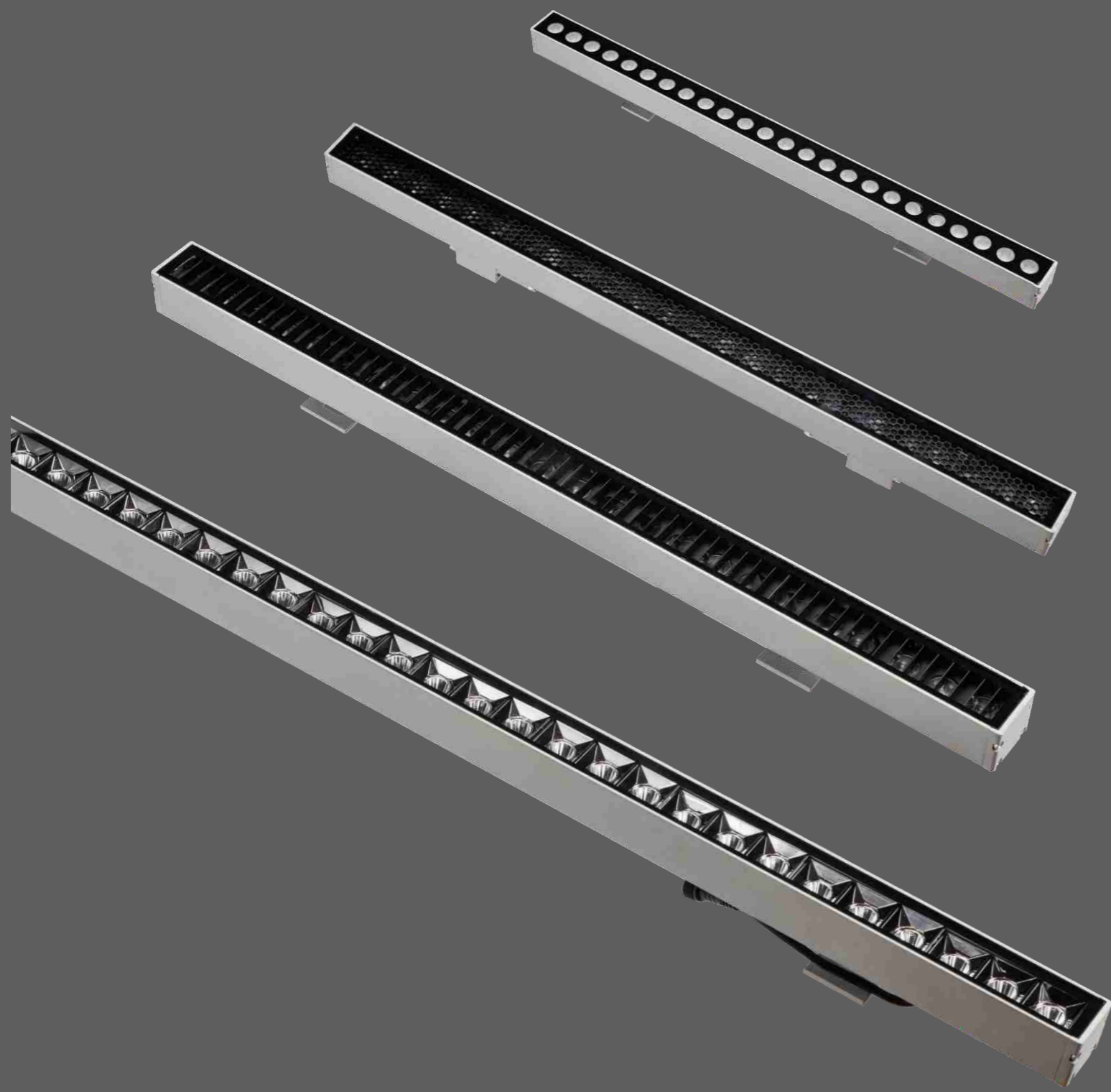
**WARNING:Must be installed under the water to prevent the light from being burnt off because of over-heating.**

Product specifications	
Item No.	WB5063L2βa-A5-Y-0.328
LED source	CREE
Beam angle	25°/45°/60°
LED color	2200K/2700K/3000K/4000K/5000K/6000K
Power	6*2W
Input voltage	DC12V/DC24V H05RN-F-2*1.0mm <sup>2</sup>
Operating temperature	-20°C~40°C
IK rate	08
Luminance(lm)	Warm white= lm
Dimmable support	Triac/PWM/0-10V/DALI/DMX512

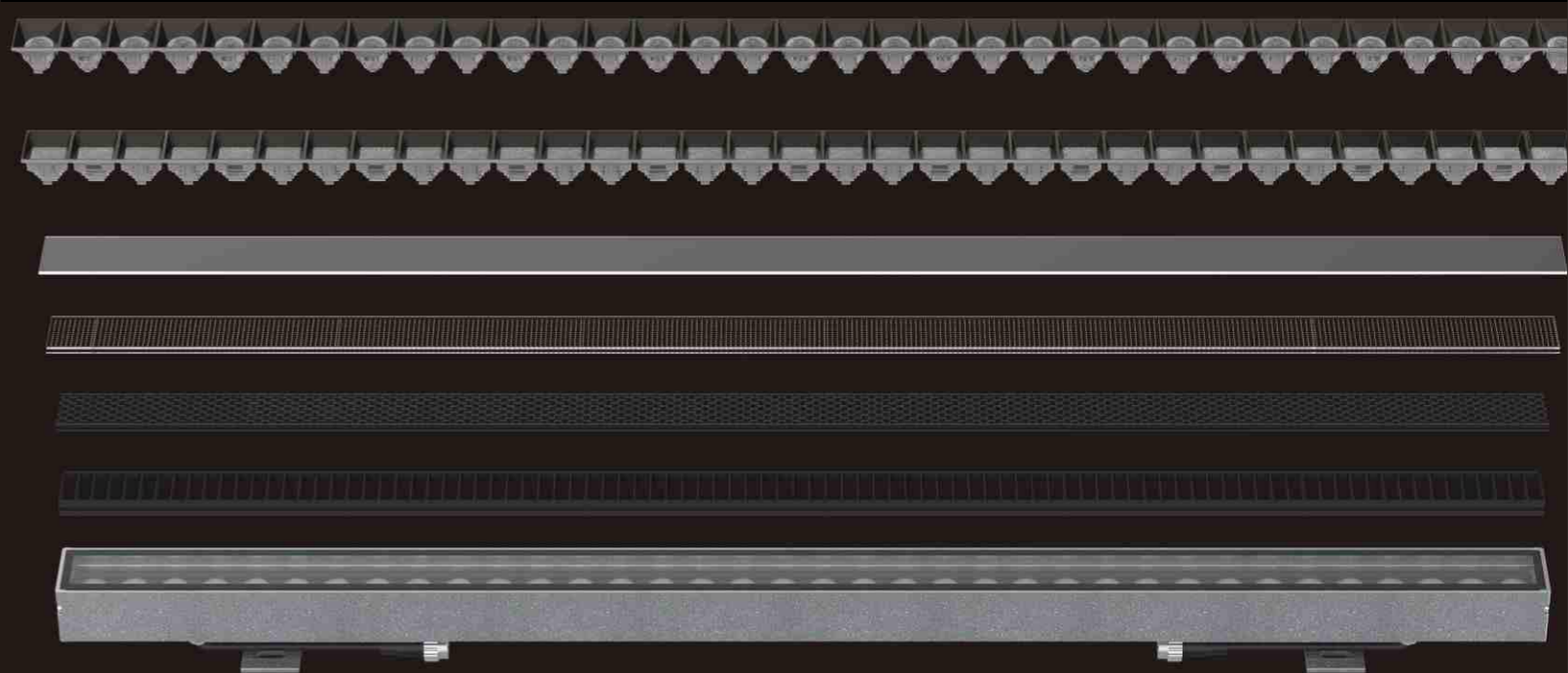
LED 洗墙灯  
LED Wall Washer Light Series



LED 洗墙灯  
LED Wall Washer Light



控光配件  
Optical Controlling Accessories



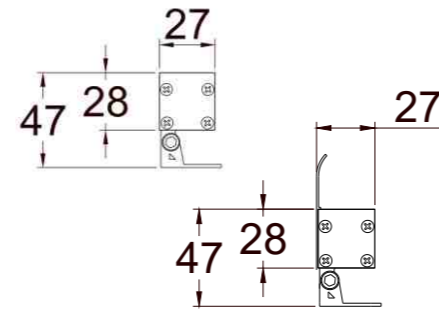
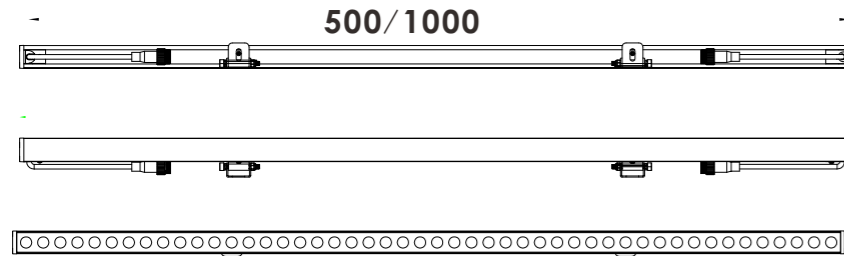


# LED洗墙灯 LED Wall Washer Light



WB6027L2βa-C3-T

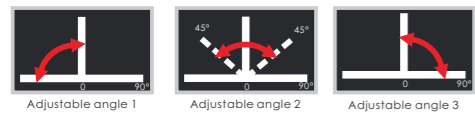
## Dimensions



## 产品简介 Product Introduction

- 1.灯体/支架: 6063# 铝型材, 表面喷涂处理
- 2.驱动: 恒压输入
- 3.玻璃: 高强度钢化玻璃, 抗冲击耐摩擦

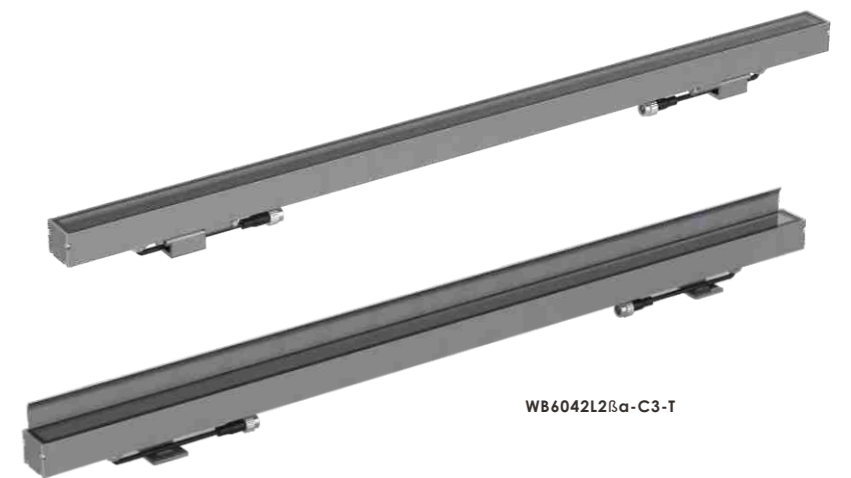
- 1.Housing : 6063# aluminum T=20-25um, Adhesion of ISO class 1/ASTM class 4B high temperature painting
- 2.Driver: Constant current output, Constant current output
- 3.Glass: Step tempered glass



## Product specifications

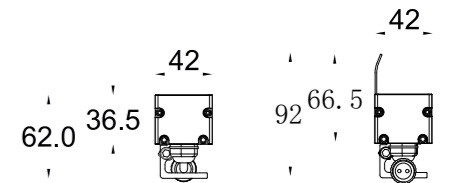
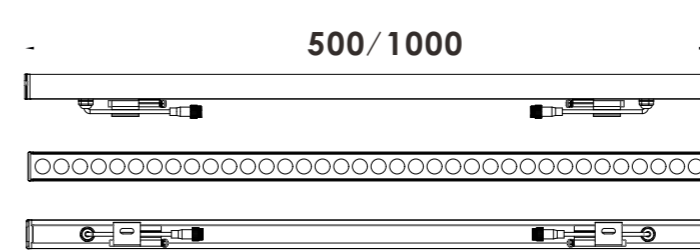
Item No.	WB6027L2βa-A3-T-0.5M	Item No.	WB6027L2βa-A3-T-1M
LED source	CREE	LED source	CREE
Beam angle	15°/25°/60°/120°	Beam angle	15°/25°/60°/120°
LED color	2700K/3000K/4000K/5000K/6000K	LED color	2700K/3000K/4000K/5000K/6000K
Power	9W	Power	18W
Input voltage	DC12V/DC24V H05RN-F-2*1.0mm <sup>2</sup>	Input voltage	DC12V/DC24V H05RN-F-2*1.0mm <sup>2</sup>
Operating temperature	-20°C~40°C	Operating temperature	-20°C~40°C
IK rate	08	IK rate	08
Luminance(lm)	450lm	Luminance(lm)	1620lm
Dimmable support	Triac/PWM/0-10V/DALI/DMX512	Dimmable support	Triac/PWM/0-10V/DALI/DMX512

# LED洗墙灯 LED Wall Washer Light



WB6042L2βa-C3-T

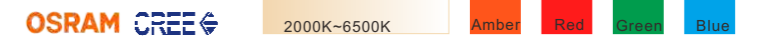
## Dimensions



## 产品简介 Product Introduction

- 1.灯体/支架: 6063# 铝型材, 表面喷涂处理
- 2.驱动: 恒压输入
- 3.玻璃: 高强度钢化玻璃, 抗冲击耐摩擦

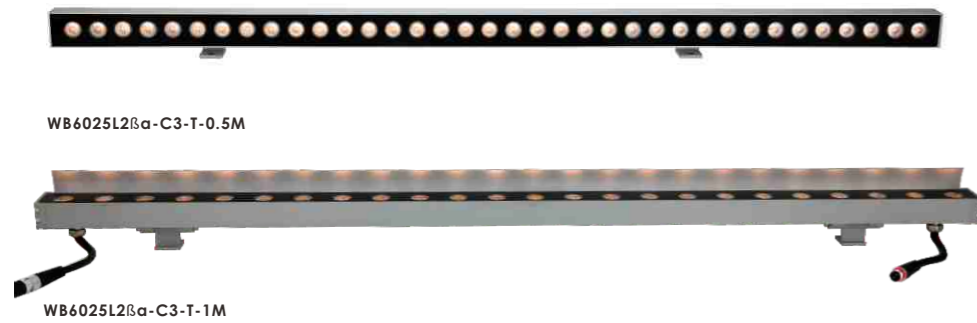
- 1.Housing : 6063# aluminum T=20-25um, Adhesion of ISO class 1/ASTM class 4B high temperature painting
- 2.Driver: Constant current output, Constant current output
- 3.Glass: Step tempered glass



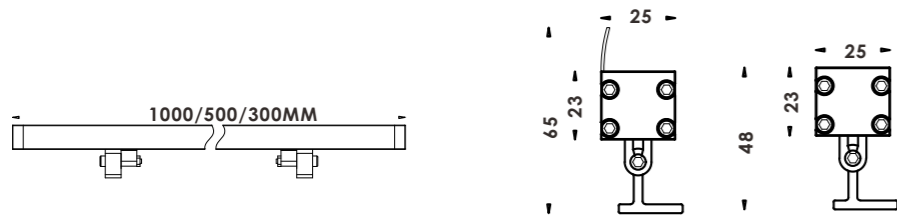
## Product specifications

Item No.	WB6042L2βa-A3-T-0.5M	Item No.	WB6042L2βa-A3-T-1M
LED source	CREE	LED source	CREE
Beam angle	10°/15°/30°/40°/60°/15°45°	Beam angle	10°/15°/30°/40°/60°/15°45°
LED color	2700K/3000K/4000K/5000K/6000K	LED color	2700K/3000K/4000K/5000K/6000K
Power	12W	Power	48W
Input voltage	DC12V/DC24V H05RN-F-2*1.0mm <sup>2</sup>	Input voltage	DC12V/DC24V H07RN-F-2*1.0mm <sup>2</sup>
Operating temperature	-20°C~40°C	Operating temperature	-20°C~40°C
IK rate	08	IK rate	08
Luminance(lm)	1056lm	Luminance(lm)	3168lm
Dimmable support	Triac/PWM/0-10V/DALI/DMX512	Dimmable support	Triac/PWM/0-10V/DALI/DMX512

# LED洗墙灯 LED Wall Washer Light

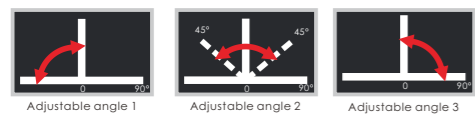


## Dimensions



## 产品简介Product Introduction

- 灯体/支架: 6063# 铝型材, 表面喷涂处理
  - 驱动: 恒压输入
  - 玻璃: 高强度钢化玻璃, 抗冲击耐摩擦
- 1.Housing : 6063# aluminum T=20-25um, Adhesion of ISO class 1/ASTM class 4B high temperature painting  
2.Driver: Constant current output,Constant current output  
3.Glass: Step tempered glass

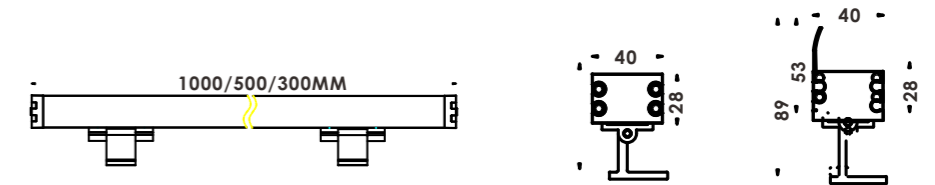


Product specifications			
Item No.	<b>WB6025L2βa-A3-T-0.5M</b>	Item No.	<b>WB6025L2βa-A3-T-1M</b>
LED source	OSRAM	LED source	OSRAM
Beam angle	15°/30°/15°45°	Beam angle	15°/30°/15°45°
LED color	2700K/3000K/4000K/5000K/6000K	LED color	2700K/3000K/4000K/5000K/6000K
Power	9W	Power	18W
Input voltage	DC12V/DC24V H05RN-F-2*1.0mm <sup>2</sup>	Input voltage	DC12V/DC24V H05RN-F-2*1.0mm <sup>2</sup>
Operating temperature	-20°C~40°C	Operating temperature	-20°C~40°C
IK rate	08	IK rate	08
Luminance(lm)	810lm	Luminance(lm)	1620lm
Dimmable support	Triac/PWM/0-10V/DALI/DMX512	Dimmable support	Triac/PWM/0-10V/DALI/DMX512

# LED洗墙灯 LED Wall Washer Light

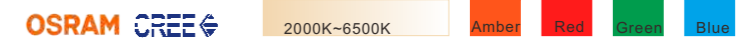
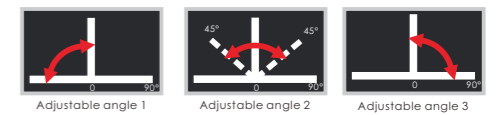


## Dimensions



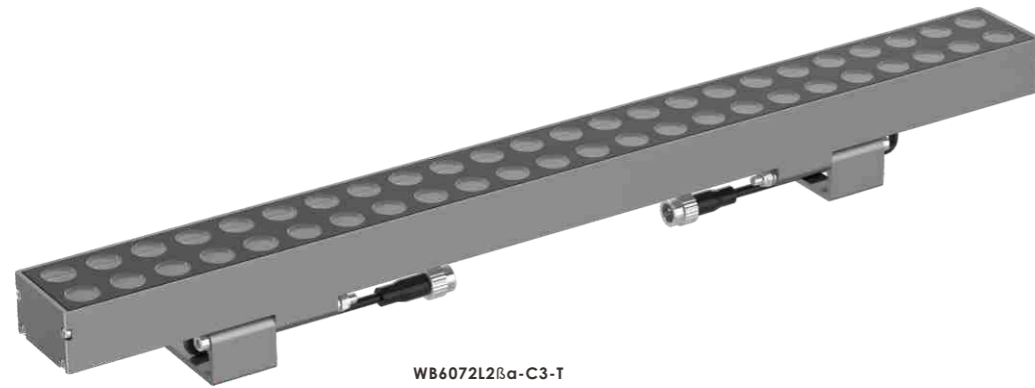
## 产品简介Product Introduction

- 灯体/支架: 6063# 铝型材, 表面喷涂处理
  - 驱动: 恒压输入
  - 玻璃: 高强度钢化玻璃, 抗冲击耐摩擦
- 1.Housing : 6063# aluminum T=20-25um, Adhesion of ISO class 1/ASTM class 4B high temperature painting  
2.Driver: Constant current output,Constant current output  
3.Glass: Step tempered glass



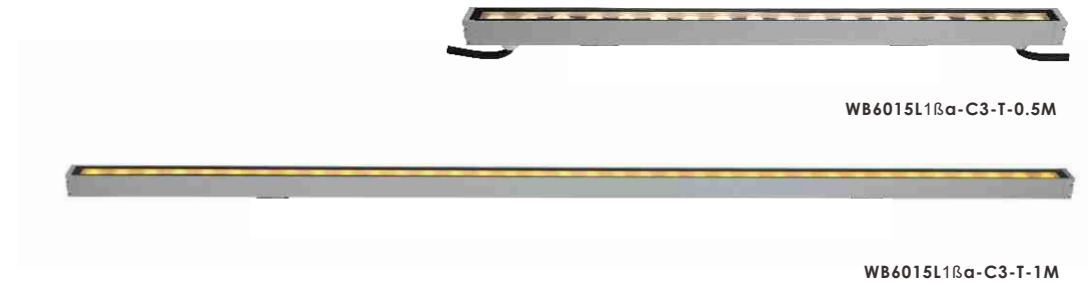
Product specifications			
Item No.	<b>WB6040L2βa-A3-T-0.5M</b>	Item No.	<b>WB6040L2βa-A3-T-1M</b>
LED source	OSRAM	LED source	OSRAM
Beam angle	15°/30°/45°/60°/20°30°/10°60°	Beam angle	15°/30°/45°/60°/20°30°/10°60°
LED color	2700K/3000K/4000K/5000K/6000K	LED color	2700K/3000K/4000K/5000K/6000K
Power	12W	Power	36W
Input voltage	DC12V/DC24V H05RN-F-2*1.0mm <sup>2</sup>	Input voltage	DC12V/DC24V H05RN-F-2*1.0mm <sup>2</sup>
Operating temperature	-20°C~40°C	Operating temperature	-20°C~40°C
IK rate	08	IK rate	08
Luminance(lm)	1056lm	Luminance(lm)	3100lm
Dimmable support	Triac/PWM/0-10V/DALI/DMX512	Dimmable support	Triac/PWM/0-10V/DALI/DMX512

# LED洗墙灯 LED Wall Washer Light



WB6072L1&a-C3-T

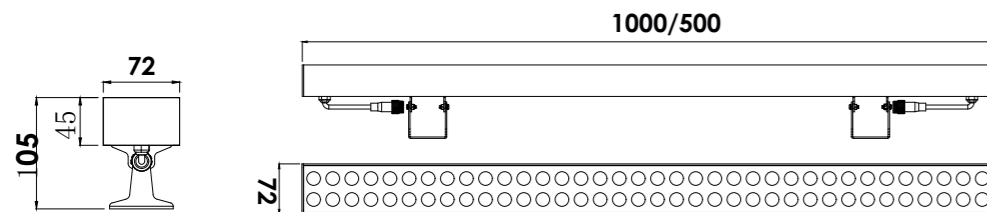
# LED洗墙灯 LED Wall Washer Light



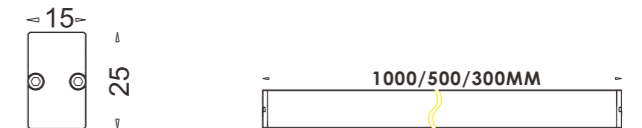
WB6015L1&a-C3-T-0.5M

WB6015L1&a-C3-T-1M

## Dimensions



## Dimensions



## 产品简介 Product Introduction

- 灯体/支架: 6063# 铝型材, 表面喷涂处理
  - 驱动: 恒压输入
  - 玻璃: 高强度钢化玻璃, 抗冲击耐摩擦
- 1.Housing : 6063# aluminum T=20-25um, Adhesion of ISO class 1/ASTM class 4B high temperature painting  
2.Driver: Constant current output, Constant current output  
3.Glass: Step tempered glass



Product specifications			
Item No.	WB6072L1&a-C3-T-0.5M	Item No.	WB6072L1&a-C3-T-1M
LED source	CREE	LED source	CREE
Beam angle	60°/120°	Beam angle	60°/120°
LED color	2700K/3000K/4000K/5000K/6000K	LED color	2700K/3000K/4000K/5000K/6000K
Power	24*1.5W	Power	48*1.5W
Input voltage	DC12V/DC24V H07RN-F-2*1.0mm <sup>2</sup>	Input voltage	DC12V/DC24V H07RN-F-2*1.0mm <sup>2</sup>
Operating temperature	-20°C~40°C	Operating temperature	-20°C~40°C
IK rate	08	IK rate	08
Luminance(lm)	lm	Luminance(lm)	lm
Dimmable support	Triac/PWM/0-10V/DALI/DMX512	Dimmable support	Triac/PWM/0-10V/DALI/DMX512

## 产品简介 Product Introduction

- 灯体/支架: 6063# 铝型材, 表面喷涂处理
  - 驱动: 恒压输入
  - 玻璃: 高强度钢化玻璃, 抗冲击耐摩擦
- 1.Housing : 6063# aluminum T=20-25um, Adhesion of ISO class 1/ASTM class 4B high temperature painting  
2.Driver: Constant current output, Constant current output  
3.Glass: Step tempered glass



Product specifications			
Item No.	WB6015L1&a-A3-T-0.5M	Item No.	WB6015L1&a-A3-T-1M
LED source	OSRAM	LED source	OSRAM
Beam angle	60°/120°	Beam angle	60°/120°
LED color	2700K/3000K/4000K/5000K/6000K	LED color	2700K/3000K/4000K/5000K/6000K
Power	7W	Power	15W
Input voltage	DC12V/DC24V H05RN-F-2*1.0mm <sup>2</sup>	Input voltage	DC12V/DC24V H07RN-F-2*1.0mm <sup>2</sup>
Operating temperature	-20°C~40°C	Operating temperature	-20°C~40°C
IK rate	08	IK rate	08
Luminance(lm)	520lm	Luminance(lm)	1500lm
Dimmable support	Triac/PWM/0-10V/DALI/DMX512	Dimmable support	Triac/PWM/0-10V/DALI/DMX512

LED 户外防水吸顶灯  
LED Outdoor Ceiling Lighting Series

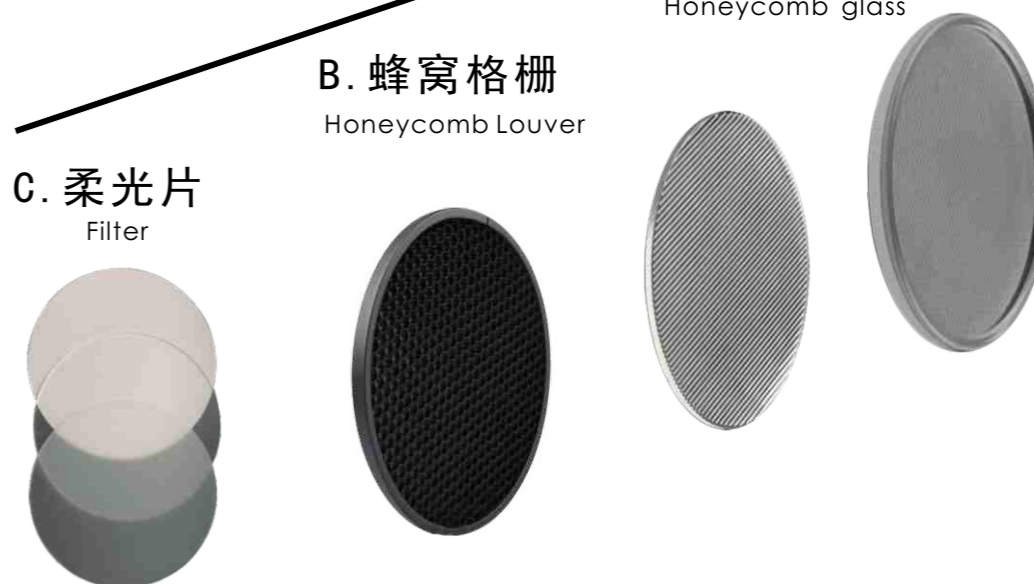


控光配件  
Optical Controlling Accessories

A. 蜂窝玻璃  
Honeycomb glass

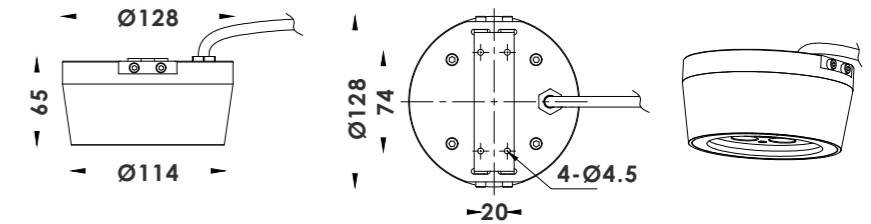
B. 蜂窝格栅  
Honeycomb Louver

C. 柔光片  
Filter



# LED防水吸顶灯

## LED Outdoor Ceiling Lighting



### 产品简介 Product Introduction

1. 拥有自主知识产权外观设计, 优雅时尚美观, 极具工业设计感, 采用一体式散热设计, 保证灯具长时间的使用寿命。
2. 玻璃采用4MM超白高强度钢化玻璃, 保证灯具光输出的超高效率 (90-95%) 和色温的准确性以及极强的抗冲击耐摩擦能力。
3. 环保ACD12#高强度压铸铝, 表面高端老虎粉体烤漆喷涂处理, 盐雾测试可达1000小时以上, 以确保海边等高温高酸碱环境的使用。
4. LED采用国际一线品牌美国CREE, 超高亮度输出, 光色一致性好, 显色指数大于80以上(可选90以上)。
5. 驱动模块也均采用国际一线品牌元器件, 保证灯具稳定与故障的低概率。
6. 灯具支持DMX512, 1-10V, DALI, TRIAC, PWM调光控制, 调光平顺柔和。
7. 配件: 304不锈钢安装支架。

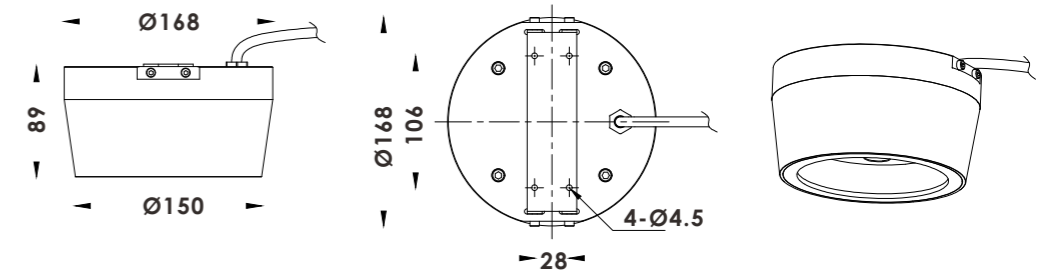
1. Independent intellectual property design reveals senses of elegance, fashion, art, especially bring strong sense of industrial style. Integrated thermal design guarantees long working time.
2. Ultra clear and highly strengthen 4mm tempered glass cover, ensure high luminous efficacy (90-95%), outstanding accuracy of color temperature, and excellent impact resistance and rub resistance.
3. Environmental friendly highly strengthen ADC 12# die-casting aluminum housing with Tiger powder coated spraying process, could reach over 1000 hours in salt spray test and ensure the usage in high humid, high acid, and high alkaline environments like seaside.
4. Apply international top brand CREE LED to achieve high lumen output, great photochromic consistency and CRI>80Ra (>90Ra is available)
5. Use international top brand component driving module to guarantee the luminous stability and low breakdown probability.
6. Support DMX512, 1-10V, DALI, TRIAC or PWM dimming control, which runs smoothly and softly.
7. Various accessories 304 stainless steel.

### Product specifications

Item No.	WB7128R1*a-A3-X	Item No.	WB7128R1*a-B3-M
LED source	CREE XPG	LED source	CREE
Beam angle	10°/20°/30°/40°/60°	Beam angle	24°/36°/60°
LED color	2200K/2700K/3000K/4000K/5000K/6000K	LED color	2700K/3000K/4000K/5000K/6000K
Power	6*3W	Power	1*18W
Input voltage	DC12V/DC24V H07RN-F-2*1.0mm <sup>2</sup> AC100~240V H05RN-F-3*1.0mm <sup>2</sup>	Input voltage	DC12V/DC24V H07RN-F-2*1.0mm <sup>2</sup> AC100~240V H05RN-F-3*1.0mm <sup>2</sup>
Operating temperature	-20°C~40°C	Operating temperature	-20°C~40°C
IK rate	09	IK rate	09
Luminance(lm)	Warm white=lm	Luminance(lm)	Warm white=lm
Dimmable support	Triac/PWM/0-10V/DALI/DMX512	Dimmable support	Triac/PWM/0-10V/DALI/DMX512

# LED防水吸顶灯

## LED Outdoor Ceiling Lighting



### 产品简介 Product Introduction

1. 拥有自主知识产权外观设计, 优雅时尚美观, 极具工业设计感, 采用一体式散热设计, 保证灯具长时间的使用寿命。
2. 玻璃采用4MM超白高强度钢化玻璃, 保证灯具光输出的超高效率 (90-95%) 和色温的准确性以及极强的抗冲击耐摩擦能力。
3. 环保ACD12#高强度压铸铝, 表面高端老虎粉体烤漆喷涂处理, 盐雾测试可达1000小时以上, 以确保海边等高温高酸碱环境的使用。
4. LED采用国际一线品牌美国CREE, 超高亮度输出, 光色一致性好, 显色指数大于80以上(可选90以上)。
5. 驱动模块也均采用国际一线品牌元器件, 保证灯具稳定与故障的低概率。
6. 灯具支持DMX512, 1-10V, DALI, TRIAC, PWM调光控制, 调光平顺柔和。
7. 配件: 304不锈钢安装支架。

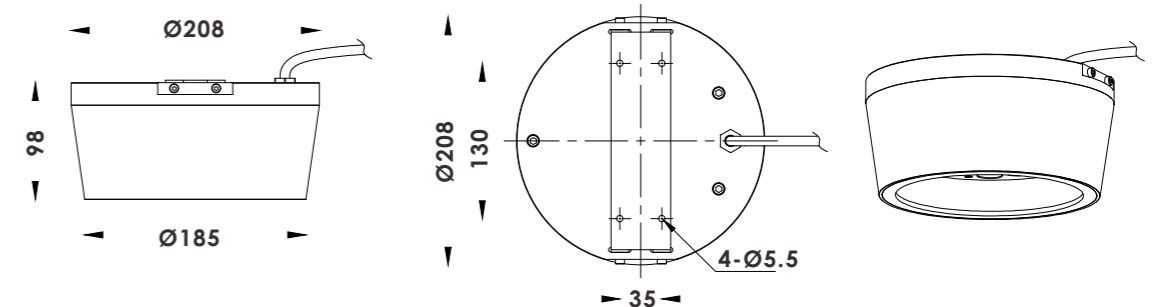
1. Independent intellectual property design reveals senses of elegance, fashion, art, especially bring strong sense of industrial style. Integrated thermal design guarantees long working time.
2. Ultra clear and highly strengthen 4mm tempered glass cover, ensure high luminous efficacy (90-95%), outstanding accuracy of color temperature, and excellent impact resistance and rub resistance.
3. Environmental friendly highly strengthen ADC 12# die-casting aluminum housing with Tiger powder coated spraying process, could reach over 1000 hours in salt spray test and ensure the usage in high humid, high acid, and high alkaline environments like seaside.
4. Apply international top brand CREE LED to achieve high lumen output, great photochromic consistency and CRI>80Ra (>90Ra is available)
5. Use international top brand component driving module to guarantee the luminous stability and low breakdown probability.
6. Support DMX512, 1-10V, DALI, TRIAC or PWM dimming control, which runs smoothly and softly.
7. Various accessories 304 stainless steel.

### Product specifications

Item No.	WB7168R2*a-A3-X	Item No.	WB7168R2*a-B3-M
LED source	CREE XPG	LED source	CREE
Beam angle	10°/20°/30°/40°/60°	Beam angle	24°/36°/60°
LED color	2200K/2700K/3000K/4000K/5000K/6000K	LED color	2700K/3000K/4000K/5000K/6000K
Power	12*1.5W	Power	1*30W
Input voltage	DC12V/DC24V H07RN-F-2*1.0mm <sup>2</sup> AC100~240V H05RN-F-3*1.0mm <sup>2</sup>	Input voltage	DC12V/DC24V H07RN-F-2*1.0mm <sup>2</sup> AC100~240V H05RN-F-3*1.0mm <sup>2</sup>
Operating temperature	-20°C~40°C	Operating temperature	-20°C~40°C
IK rate	09	IK rate	09
Luminance(lm)	Warm white=lm	Luminance(lm)	Warm white=lm
Dimmable support	Triac/PWM/0-10V/DALI/DMX512	Dimmable support	Triac/PWM/0-10V/DALI/DMX512

# LED防水吸顶灯

## LED Outdoor Ceiling Lighting



### 产品简介 Product Introduction

1. 拥有自主知识产权外观设计, 优雅时尚美观, 极具工业设计感, 采用一体式散热设计, 保证灯具长时间的使用寿命。
2. 玻璃采用4mm超白高强度钢化玻璃, 保证灯具光输出的超高效率 (90-95%) 和色温的准确性以及极强的抗冲击耐摩擦能力。
3. 环保ACD12#高强度压铸铝, 表面高端老虎粉体烤漆喷涂处理, 盐雾测试可达1000小时以上, 以确保海边等高温高酸碱环境的使用。
4. LED采用国际一线品牌美国CREE, 超高亮度输出, 光色一致性好, 显色指数大于80以上 (可选90以上)。
5. 驱动模块也均采用国际一线品牌元器件, 保证灯具稳定与故障的低概率。
6. 灯具支持DMX512, 1-10V, DALI, TRIAC, PWM调光控制, 调光平顺柔和。
7. 配件: 304不锈钢安装支架。

1. Independent intellectual property design reveals senses of elegance, fashion, art, especially bring strong sense of industrial style. Integrated thermal design guarantees long working time.
2. Ultra clear and highly strengthen 4mm tempered glass cover, ensure high luminous efficacy (90-95%), outstanding accuracy of color temperature, and excellent impact resistance and rub resistance.
3. Environmental friendly highly strengthen ADC 12# die-casting aluminum housing with Tiger powder coated spraying process, could reach over 1000 hours in salt spray test and ensure the usage in high humid, high acid, and high alkaline environments like seaside.
4. Apply international top brand CREE LED to achieve high lumen output, great photochromic consistency and CRI>80Ra (>90Ra is available)
5. Use international top brand component driving module to guarantee the luminous stability and low breakdown probability.
6. Support DMX512, 1-10V, DALI, TRIAC or PWM dimming control, which runs smoothly and softly.
7. Various accessories 304 stainless steel.

### Product specifications

Item No.	WB7208R2*a-A3-X	Item No.	WB7208R2*a-B3-X
LED source	CREE XPG	LED source	CREE
Beam angle	10°/20°/30°/40°/60°	Beam angle	24°/36°/60°
LED color	2200K/2700K/3000K/4000K/5000K/6000K	LED color	2700K/3000K/4000K/5000K/6000K
Power	24*1.5W	Power	4*10W
Input voltage	DC12V/DC24V H07RN-F-2*1.0mm² AC100~240V H05RN-F-3*1.0mm²	Input voltage	DC12V/DC24V H07RN-F-2*1.0mm² AC100~240V H05RN-F-3*1.0mm²
Operating temperature	-20°C~40°C	Operating temperature	-20°C~40°C
IK rate	09	IK rate	09
Luminance(lm)	Warm white=lm	Luminance(lm)	Warm white=lm
Dimmable support	Triac/PWM/0-10V/DALI/DMX512	Dimmable support	Triac/PWM/0-10V/DALI/DMX512

# LED防水吸顶灯

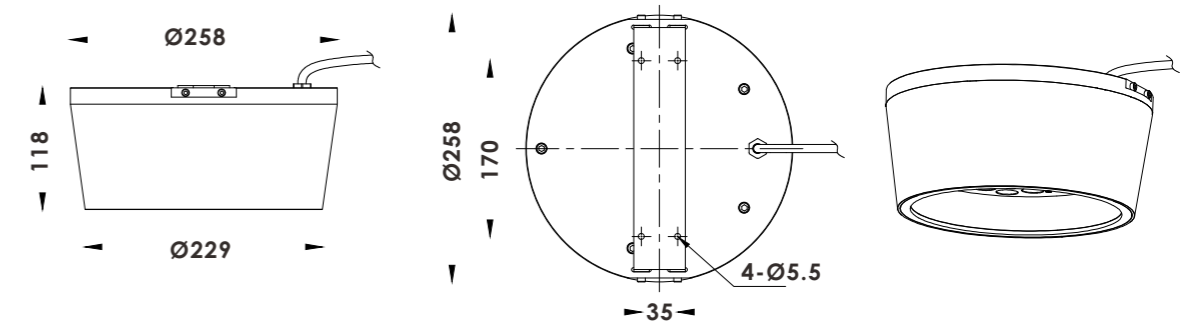
## LED Outdoor Ceiling Lighting



### 产品简介 Product Introduction

1. 拥有自主知识产权外观设计, 优雅时尚美观, 极具工业设计感, 采用一体式散热设计, 保证灯具长时间的使用寿命。
2. 玻璃采用4MM超白高强度钢化玻璃, 保证灯具光输出的超高效率 (90-95%) 和色温的准确性以及极强的抗冲击耐摩擦能力。
3. 环保ACD12#高强度压铸铝, 表面高端老虎粉体烤漆喷涂处理, 盐雾测试可达1000小时以上, 以确保海边等高温高酸环境的使用。
4. LED采用国际一线品牌美国CREE, 超高亮度输出, 光色一致性好, 显色指数大于80以上 (可选90以上)。
5. 驱动模块也均采用国际一线品牌元器件, 保证灯具稳定与故障的低概率。
6. 灯具支持DMX512, 1-10V, DALI, TRIAC, PWM调光控制, 调光平顺柔和。
7. 配件: 304不锈钢安装支架。

1. Independent intellectual property design reveals senses of elegance, fashion, art, especially bring strong sense of industrial style. Integrated thermal design guarantees long working time.
2. Ultra clear and highly strengthen 4mm tempered glass cover, ensure high luminous efficacy (90-95%), outstanding accuracy of color temperature, and excellent impact resistance and rub resistance.
3. Environmental friendly highly strengthen ADC 12# die-casting aluminum housing with Tiger powder coated spraying process, could reach over 1000 hours in salt spray test and ensure the usage in high humid, high acid, and high alkaline environments like seaside.
4. Apply international top brand CREE LED to achieve high lumen output, great photochromic consistency and CRI>80Ra (>90Ra is available)
5. Use international top brand component driving module to guarantee the luminous stability and low breakdown probability.
6. Support DMX512, 1-10V, DALI, TRIAC or PWM dimming control, which runs smoothly and softly.
7. Various accessories 304 stainless steel.

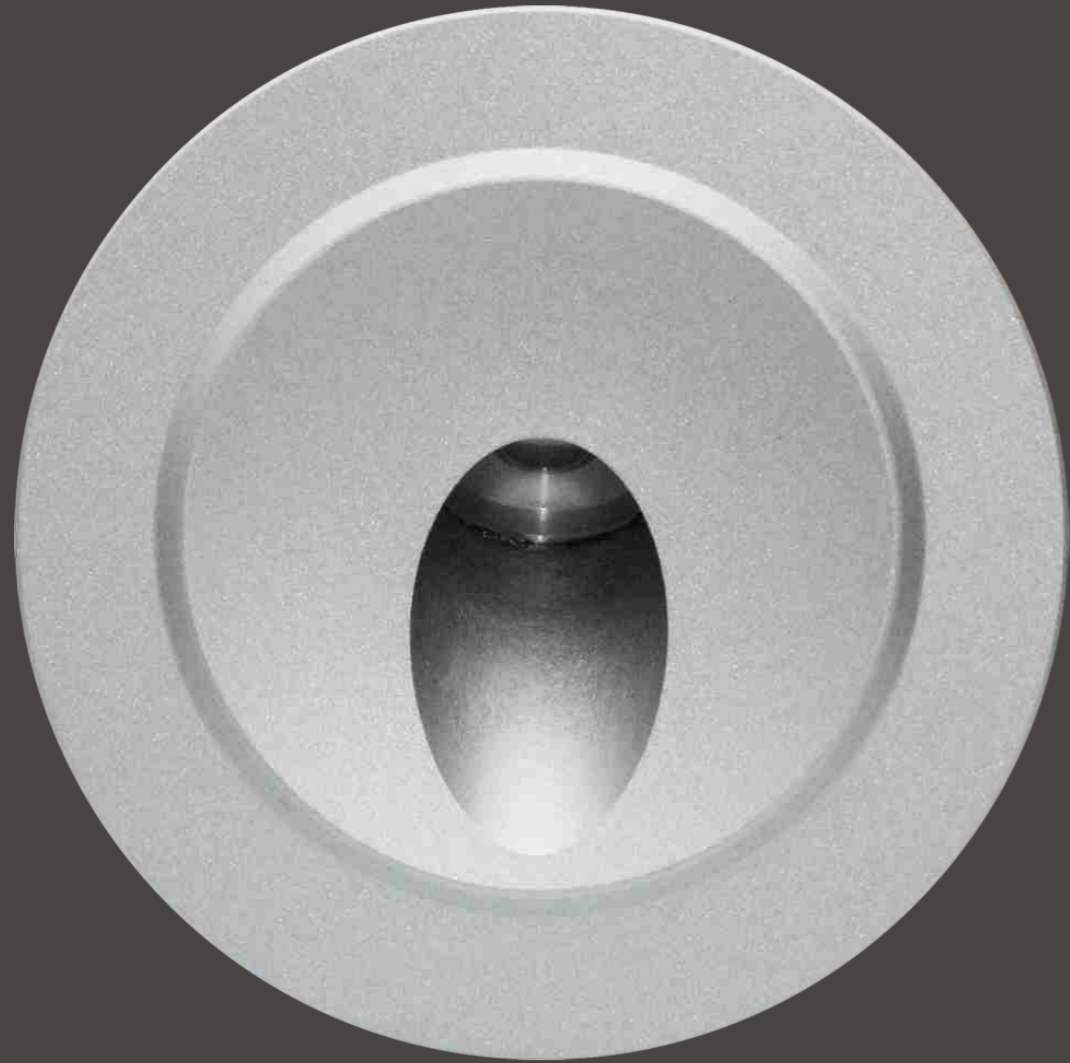


Product specifications			
Item No.	<b>WB7258R2*a-A3-X</b>	Item No.	<b>WB7258R2*a-B3-X</b>
LED source	CREE XPG	LED source	CREE
Beam angle	10°/20°/30°/40°/60°	Beam angle	24°/36°/60°
LED color	2200K/2700K/3000K/4000K/5000K/6000K	LED color	2700K/3000K/4000K/5000K/6000K
Power	36*1.5W	Power	4*15W
Input voltage	DC12V/DC24V H07RN-F-2*1.0mm² AC100~240V H05RN-F-3*1.0mm²	Input voltage	DC12V/DC24V H07RN-F-2*1.0mm² AC100~240V H05RN-F-3*1.0mm²
Operating temperature	-20°C~40°C	Operating temperature	-20°C~40°C
IK rate	09	IK rate	09
Luminance(lm)	Warm white=lm	Luminance(lm)	Warm white=lm
Dimmable support	Triac/PWM/0-10V/DALI/DMX512	Dimmable support	Triac/PWM/0-10V/DALI/DMX512

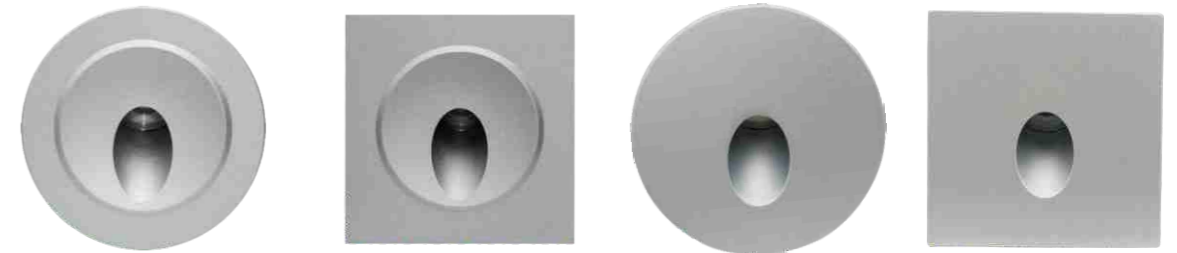
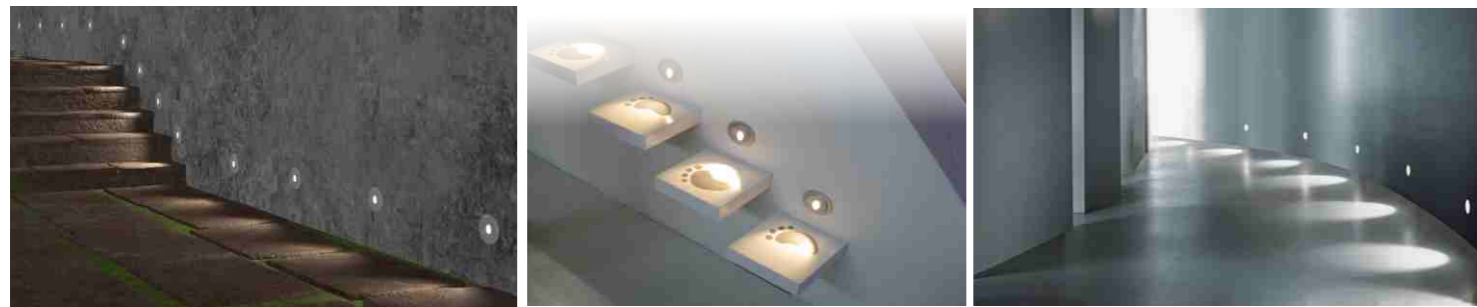


# 嵌入式壁灯

## Recessed LED Stair Light and Wall Light Series



# 嵌入式地脚灯/壁灯 Recessed LED Stair Light and Wall Light



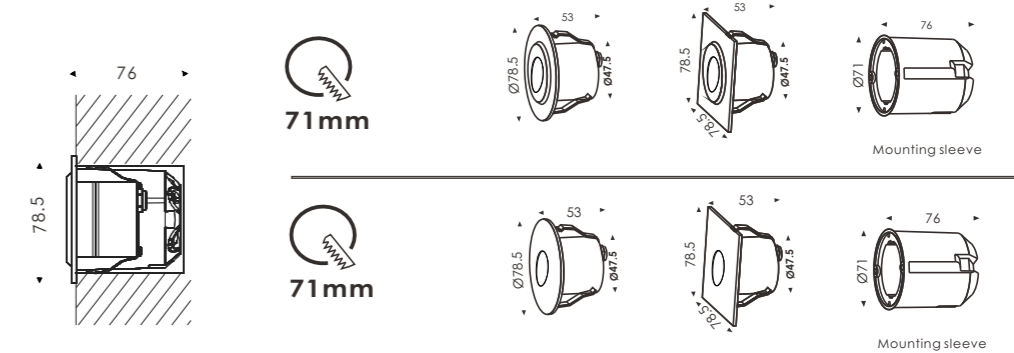
WB1078R5 α-A3-Y

WB1078R5 α-A3-Y

WB1078R5\*α-A3-Y

WB1078R5\*α-A3-Y

## Dimensions



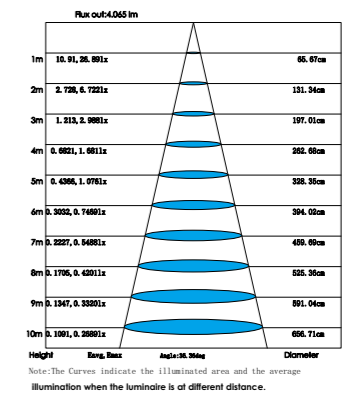
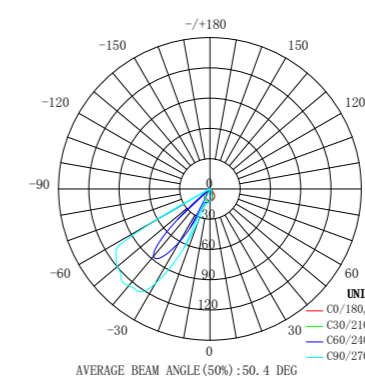
## 产品简介 Product Introduction

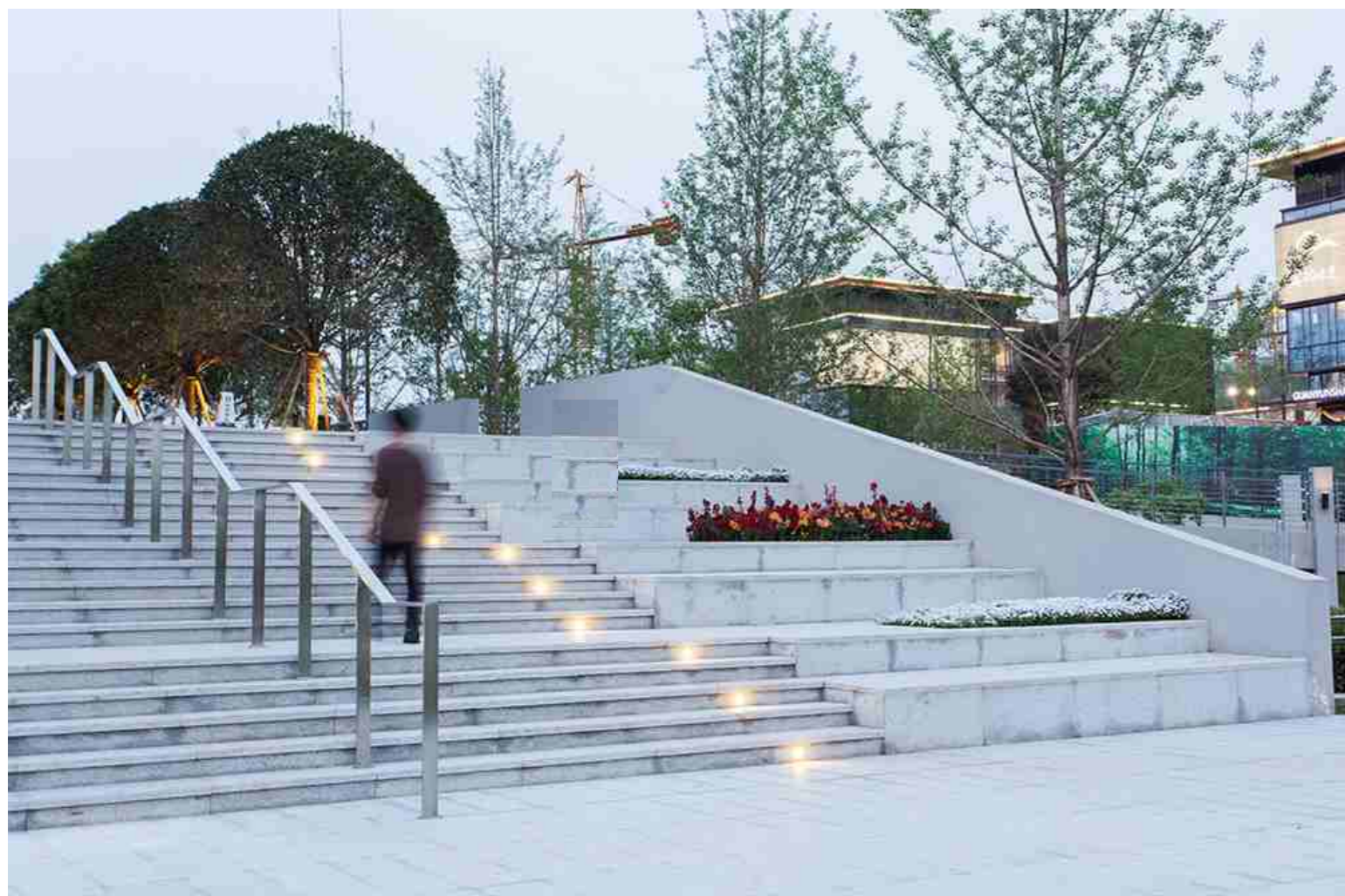
- 1.面盖:ACD12#压铸铝,粉体烤漆
- 2.灯体:ACD12#压铸铝,粉体烤漆
- 3.驱动:恒压输入
- 4.玻璃:高强度钢化玻璃,抗冲击耐摩擦
- 5.配件:预埋盒ABS

1. Front cover : 12# Die-casting aluminum T=20-25um, Adhesion of ISO class I/ASTM class 4B high temperature painting
2. Housing: 12# Die-casting aluminum T=20-25um Adhesion of ISO class I/ASTM class 4B high temperature painting
3. Driver: Constant current output.Constant current output
4. Glass: Step tempered glass



Product specifications					
Item No.	WB1078R5 α-A3-Y	WB1078S5 α-A3-Y	Item No.	WB1078R5*α-A3-Y	WB1078S5*α-A3-Y
LED source	CREE XPE		LED source	CREE XPE	
Beam angle	80°		Beam angle	80°	
LED color	2200K/2700K/3000K/4000K/5000K/6000K		LED color	2200K/2700K/3000K/4000K/5000K/6000K	
Power	2W		Power	2W	
Input voltage	DC 12V/DC24V H05RN-F-2*1.0mm <sup>2</sup> AC 100~240V H05RN-F-3*0.75mm <sup>2</sup>		Input voltage	DC 12V/DC24V H05RN-F-2*1.0mm <sup>2</sup> AC 100~240V H05RN-F-3*0.75mm <sup>2</sup>	
Operating temperature	-20℃~40℃		Operating temperature	-20℃~40℃	
IK rate	04		IK rate	04	
Luminance(lm)	Warm white=68lm/ Cool white=76lm		Luminance(lm)	Warm white=68lm/ Cool white=76lm	
Dimmable support	Triac/PWM/0-10V/DALI/DMX512		Dimmable support	Triac/PWM/0-10V/DALI/DMX512	





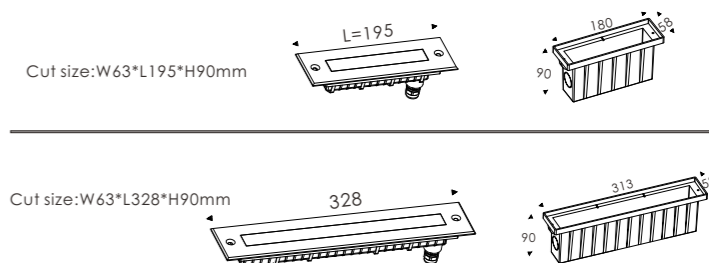
## 线性地脚灯/条形壁灯 Recessed LED Linear Wall Light



WB1063L2 β α-A3-Y-0.195M

WB1063L2 β α-A3-Y-0.328M

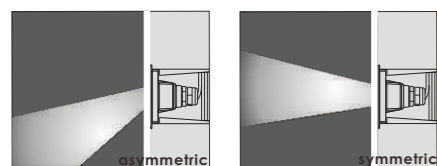
### Dimensions



### 产品简介Product Introduction

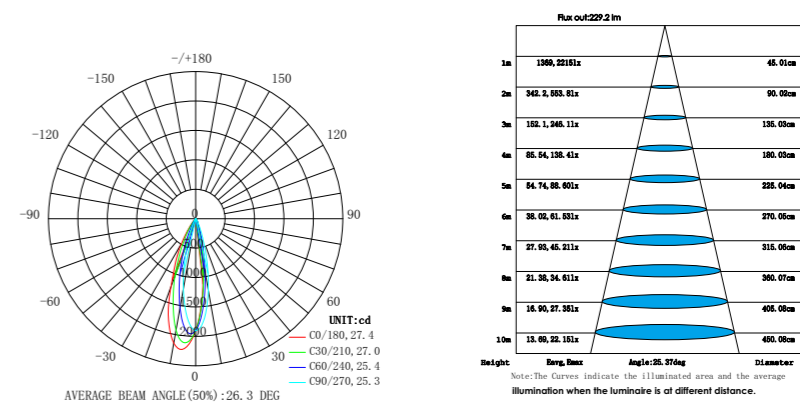
- 1.面盖:316L 不锈钢
- 2.灯体:316不锈钢
- 3.驱动:恒压输入
- 4.玻璃:高强度钢化玻璃, 抗冲击耐摩擦
- 5.配件:预埋盒ABS

- 1.Front cover : 12# Die-casting aluminum T=20-25um, Adhesion of ISO class 1/ASTM class 4B high temperature painting
- 2.Housing: 12# Die-casting aluminum ,T=20-25um Adhesion of ISO class 1/ASTM class 4B high temperature painting
- 3.Driver: Constant current output,Constant current output
- 4.Glass: Step tempered glass
- 5.Accessories: Mounting sleeve ABS



### Product specifications

Item No.	WB1063L2 β α-A3-Y-0.195M	Item No.	WB1063L2 β α-A3-Y-0.328M
LED source	CREE XPE	LED source	CREE XPE
Beam angle	35   45°,30°,40°,60°	Beam angle	35   45°,30°,40°,60°
LED color	2200K/2700K/3000K/4000K/5000K/6000K	LED color	2200K/2700K/3000K/4000K/5000K/6000K
Power	6.8W	Power	12.8W
Input voltage	DC 12V/DC24V H05RN-F-2*1.0mm <sup>2</sup> AC 100~240V H05RN-F-3*0.75mm <sup>2</sup>	Input voltage	DC 12V/DC24V H05RN-F-2*1.0mm <sup>2</sup> AC 100~240V H05RN-F-3*0.75mm <sup>2</sup>
Operating temperature	-20℃~40℃	Operating temperature	-20℃~40℃
IK rate	09	IK rate	09
Luminance(lm)	Warm white=400lm/ Cool white=285lm	Luminance(lm)	Warm white=578lm/ Cool white=875lm
Dimmable support	Triac/PWM/0-10V/DALI/DMX512	Dimmable support	Triac/PWM/0-10V/DALI/DMX512



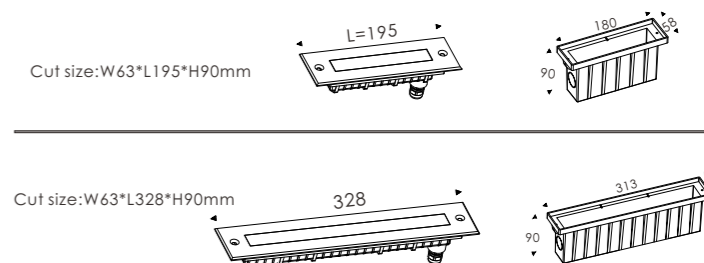
# 嵌入式地脚灯/壁灯 Recessed LED Stair Light and Wall Light



WB1063L2 β α-C7-Y-0.195M

WB1063L2 β α-C7-Y-0.328M

## Dimensions



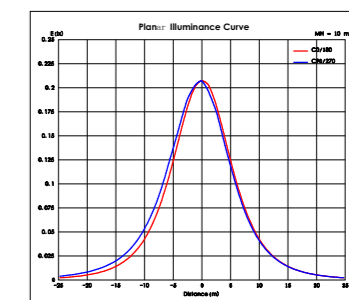
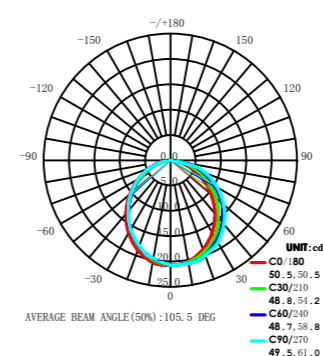
## 产品简介 Product Introduction

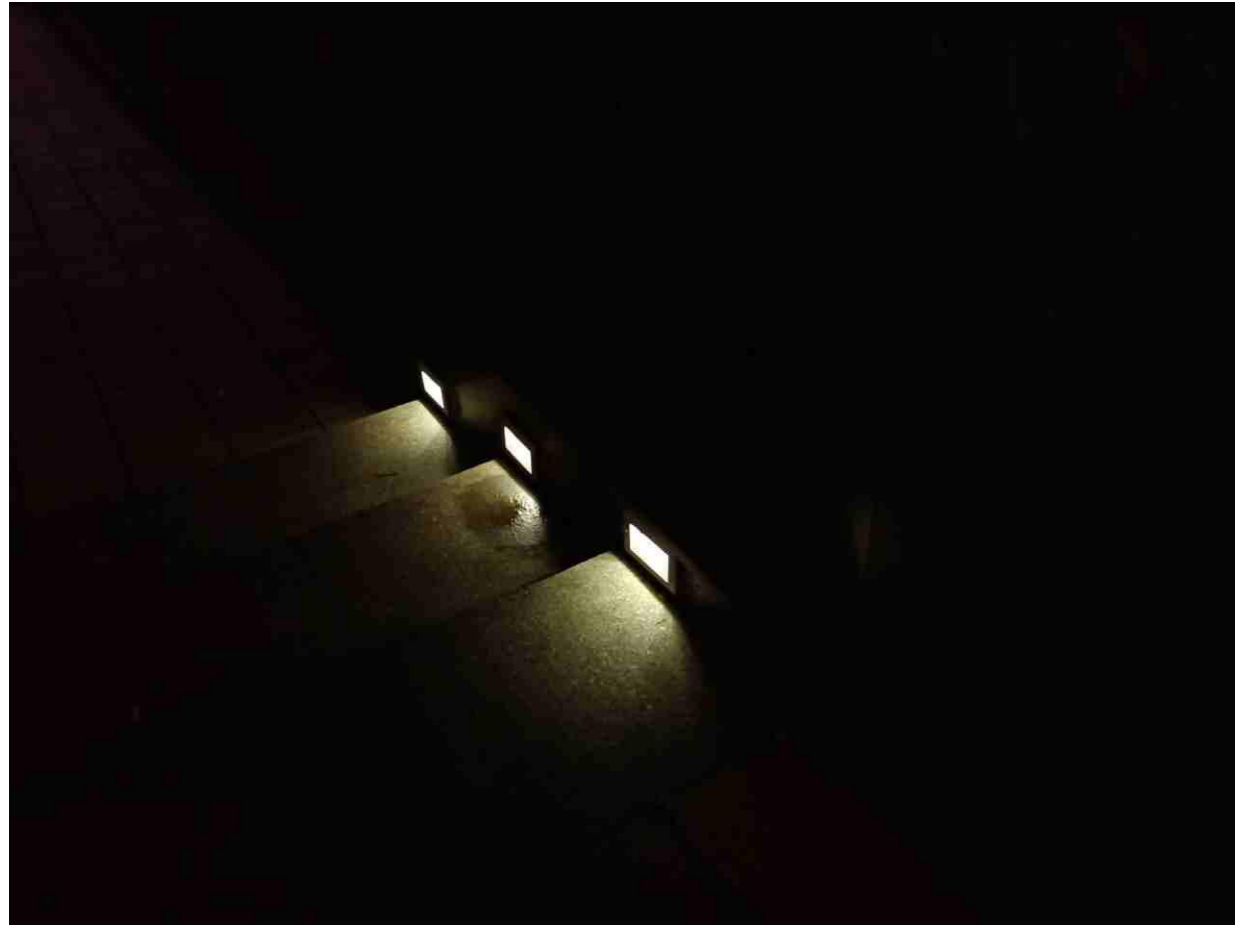
- 1.面盖:316L 不锈钢
- 2.灯体:316不锈钢
- 3.驱动:恒压输入
- 4.玻璃:高强度钢化玻璃, 抗冲击耐摩擦
- 5.配件:预埋盒ABS

- 1.Front cover : Stainless steel SUS316l
- 2.Housing: 12# Die-casting grey powder coated aluminum .T=60-80μm Adhesion of ISO class 1/ASTM class 4B high temperature painting
- 3.Driver: Constant current output,Constant current output
- 4.Glass: Step tempered glass
- 5.Accessories: Mounting sleeve ABS

## Product specifications

Item No.	WB1063L2 β α-C7-Y-0.195M	Item No.	WB1063L2 β α-C7-Y-0.328M
LED source	OSRAM SMD	LED source	OSRAM SMD
Beam angle	120°	Beam angle	120°
LED color	2700K/3000K/4000K/5000K/6000K	LED color	2700K/3000K/4000K/5000K/6000K
Power	2.6W	Power	5.2W
Input voltage	DC 12V/DC24V H05RN-F-2*1.0mm <sup>2</sup> AC 100~240V H05RN-F-3*0.75mm <sup>2</sup>	Input voltage	DC 12V/DC24V H05RN-F-2*1.0mm <sup>2</sup> AC 100~240V H05RN-F-3*0.75mm <sup>2</sup>
Operating temperature	-20℃~40℃	Operating temperature	-20℃~40℃
IK rate	09	IK rate	09
Luminance(lm)	Warm white=54m/ Cool white=60lm	Luminance(lm)	Warm white=86lm/ Cool white=92lm
Dimmable support	Triac/PWM/0-10V/DALI/DMX512	Dimmable support	Triac/PWM/0-10V/DALI/DMX512



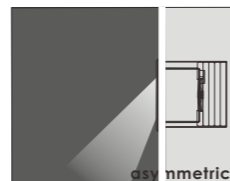


## 产品简介 Product Introduction

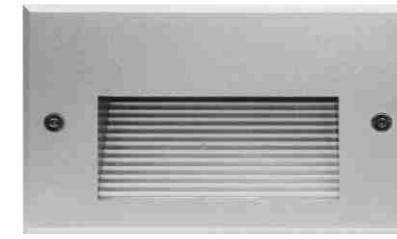
- 1.面盖:ACD12#压铸铝, 粉体烤漆
- 2.灯体:ACD12#压铸铝, 粉体烤漆
- 3.驱动:恒压输入
- 4.玻璃:高强度钢化玻璃, 抗冲击耐摩擦
- 5.配件:预埋盒ABS

- 1.Front cover : 12# Die-casting aluminum T=20-25um, Adhesion of ISO class 1/ASTM class 4B high temperature painting
- 2.Housing: 12# Die-casting aluminum .T=20-25um Adhesion of ISO class 1/ASTM class 4B high temperature painting
- 3.Driver: Constant current output,Constant current output
- 4.Glass: Step tempered glass
- 5.Accessories: Mounting sleeve ABS

Front cover color option



## 嵌入式地脚灯/壁灯 Recessed LED Stair Light and Wall Light

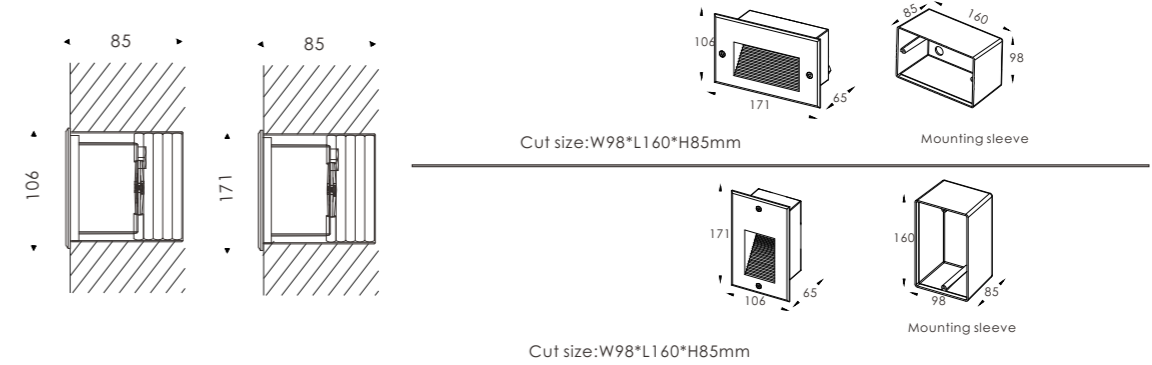


WB1171L5\*a-C7-Y



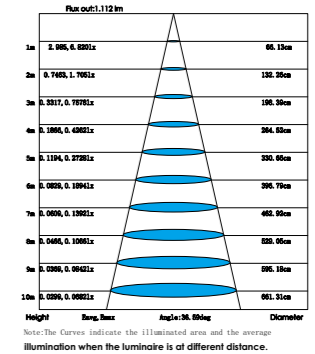
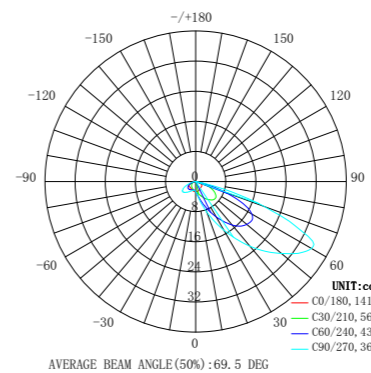
WB1106L5\*a-C7-Y

### Dimensions



### Product specifications

Item No.	WB1171L5*a-C7-Y	Item No.	WB1106L5*a-C7-Y
LED source	OSRAM	LED source	OSRAM
Beam angle	120°	Beam angle	120°
LED color	2700K/3000K/4000K/5000K/6000K	LED color	2700K/3000K/4000K/5000K/6000K
Power	2.5W	Power	1.2W
Input voltage	DC 12V/DC24V H05RN-F-2*1.0mm <sup>2</sup> AC 100~240V H05RN-F-3*0.75mm <sup>2</sup>	Input voltage	DC 12V/DC24V H05RN-F-2*1.0mm <sup>2</sup> AC 100~240V H05RN-F-3*0.75mm <sup>2</sup>
Operating temperature	-20℃~40℃	Operating temperature	-20℃~40℃
IK rate	03	IK rate	02
Luminance(lm)	Warm white=50lm/ Cool white=64lm	Luminance(lm)	Warm white=29lm/ Cool white=38lm
Dimmable support	-	Dimmable support	-



# 嵌入式地脚灯/壁灯 Recessed LED Stair Light and Wall Light

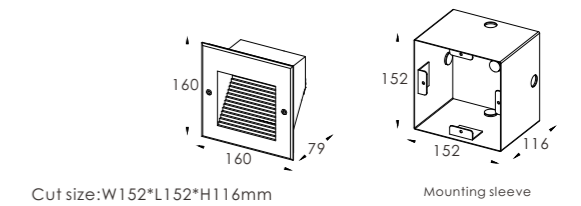
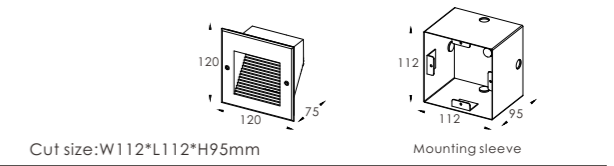
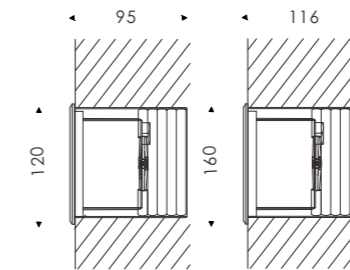


WB1120S5\*α-C7-Y



WB1160S5\*α-C7-Y

## Dimensions

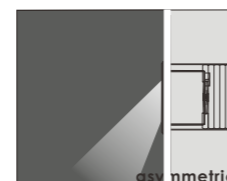


## 产品简介 Product Introduction

- 1.面盖: ACD12#压铸铝, 粉体烤漆
- 2.灯体: ACD12#压铸铝, 粉体烤漆
- 3.驱动: 恒压输入
- 4.玻璃: 高强度钢化玻璃, 抗冲击耐摩擦
- 5.配件: 预埋盒ABS

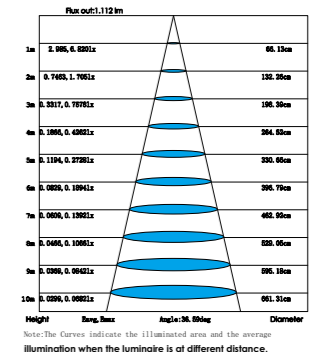
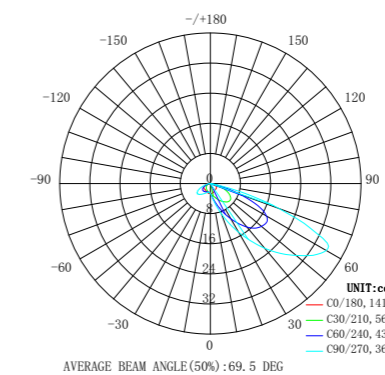
1. Front cover : 12# Die-casting aluminum T=20-25um, Adhesion of ISO class 1/ASTM class 4B high temperature painting
2. Housing: 12# Die-casting aluminum T=20-25um Adhesion of ISO class 1/ASTM class 4B high temperature painting
3. Driver: Constant current output, Constant current output
4. Glass: Step tempered glass
5. Accessories: Mounting sleeve ABS

### Front cover color option



## Product specifications

Item No.	WB1120S5*α-C7-Y	Item No.	WB1160S5*α-C7-Y
LED source	OSRAM	LED source	OSRAM
Beam angle	120°	Beam angle	120°
LED color	2700K/3000K/4000K/5000K/6000K	LED color	2700K/3000K/4000K/5000K/6000K
Power	1.2W	Power	2.5W
Input voltage	DC 12V/DC24V H05RN-F-2*1.0mm <sup>2</sup> AC 100~240V H05RN-F-3*0.75mm <sup>2</sup>	Input voltage	DC 12V/DC24V H05RN-F-2*1.0mm <sup>2</sup> AC 100~240V H05RN-F-3*0.75mm <sup>2</sup>
Operating temperature	-20°C~40°C	Operating temperature	-20°C~40°C
IK rate	03	IK rate	02
Luminance(lm)	Warm white=50lm/ Cool white=64lm	Luminance(lm)	Warm white=60lm/ Cool white=80lm
Dimmable support	-	Dimmable support	-



# 嵌入式地脚灯/壁灯 Recessed LED Stair Light and Wall Light



WB1045L5\*α-C7-Y

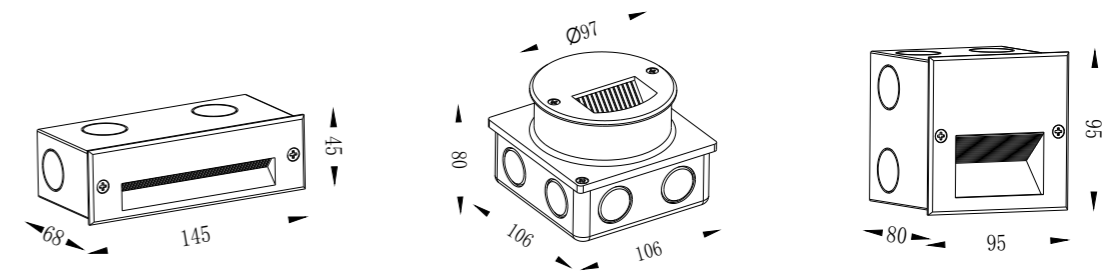


WB1097R5\*α-C7-Y



WB1095S5\*α-C7-Y

## Dimensions



## 产品简介 Product Introduction

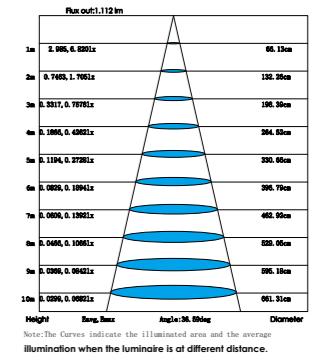
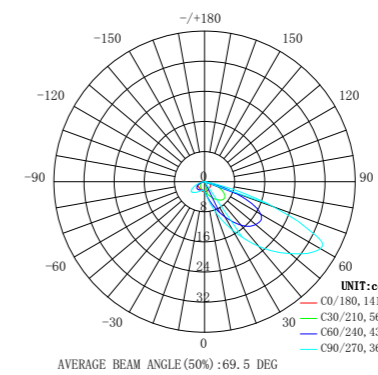
- 1.面盖: ACD12#压铸铝, 粉体烤漆
- 2.灯体: ACD12#压铸铝, 粉体烤漆
- 3.驱动: 恒压输入
- 4.玻璃: 高强度钢化玻璃, 抗冲击耐摩擦
- 5.配件: 预埋盒ABS

1. Front cover : 12# Die-casting aluminum T=20-25um, Adhesion of ISO class 1/ASTM class 4B high temperature painting
2. Housing: 12# Die-casting aluminum .T=20-25um Adhesion of ISO class 1/ASTM class 4B high temperature painting
3. Driver: Constant current output, Constant current output
4. Glass: Step tempered glass

Front cover color option



Product specifications				
Item No.	WB1045L5*α-C7-Y	WB1097R5*α-C7-Y	Item No.	WB1095S5*α-C7-Y
LED source	OSRAM		LED source	OSRAM
Beam angle	120°		Beam angle	120°
LED color	2700K/3000K/4000K/5000K/6000K		LED color	2700K/3000K/4000K/5000K/6000K
Power	1.2W		Power	1.2W
Input voltage	DC 12V/DC24V H05RN-F-2*1.0mm <sup>2</sup> AC 100~240V H05RN-F-3*0.75mm <sup>2</sup>		Input voltage	DC 12V/DC24V H05RN-F-2*1.0mm <sup>2</sup> AC 100~240V H05RN-F-3*0.75mm <sup>2</sup>
Operating temperature	-20℃~40℃		Operating temperature	-20℃~40℃
IK rate	03		IK rate	02
Luminance(lm)	Warm white=29lm/ Cool white=38lm		Luminance(lm)	Warm white=29lm/ Cool white=38lm
Dimmable support	-		Dimmable support	-



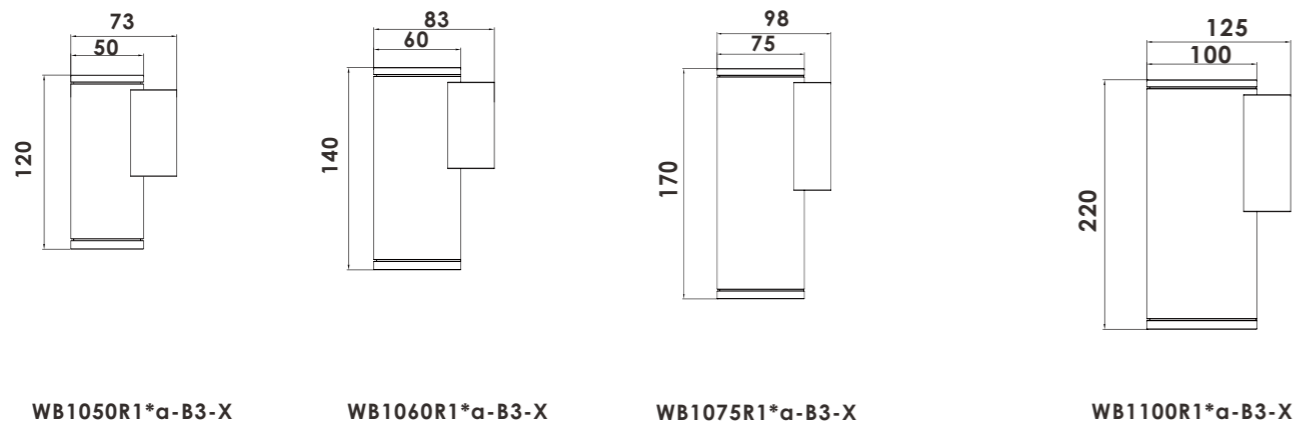
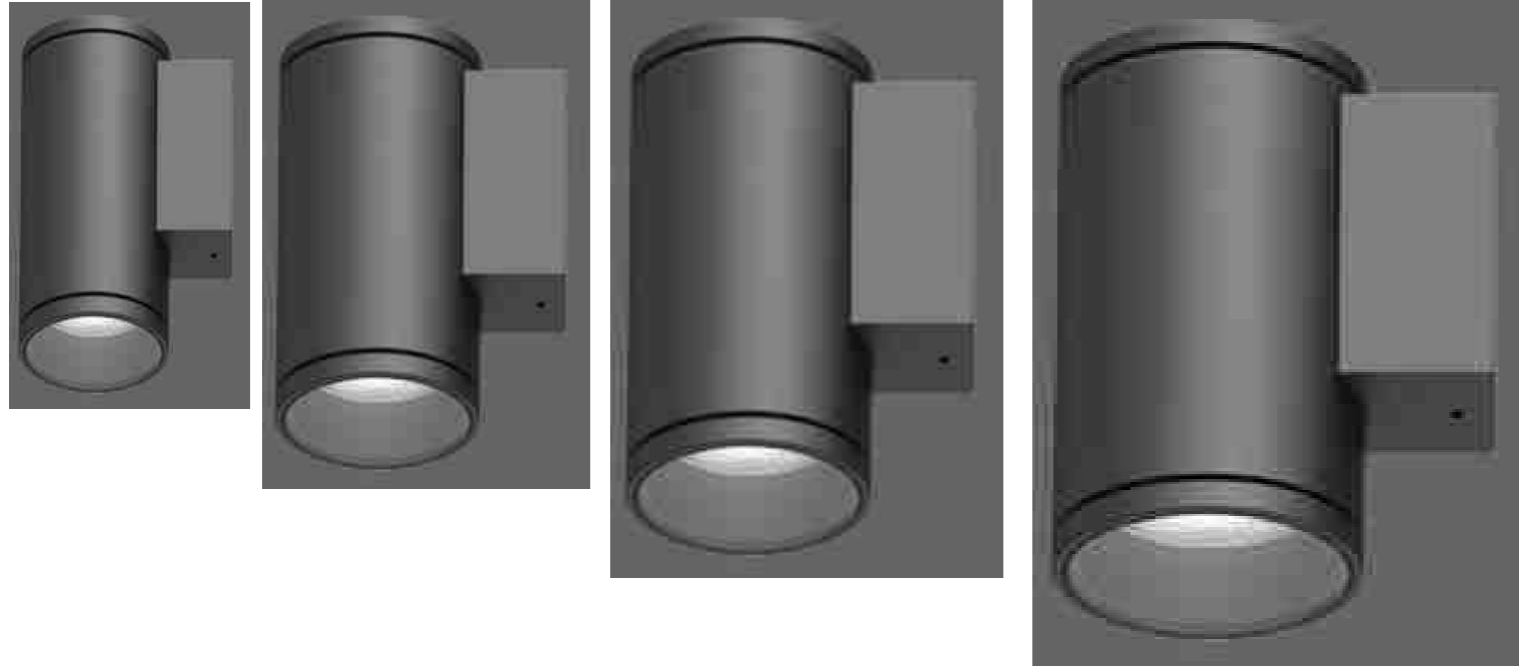
LED壁灯  
LED Wall light





# 防眩LED单头壁灯

## Depth Illuminant COB LED Wall Light



### 产品简介Product Introduction

- 1.拥有自主知识产权外观设计,LED深藏,具有优秀的防眩光性能。
- 2.灯具采用一体式散热结构,保证LED的有充足的散热,使灯具达到长时间的使用寿命。
- 3.面盖灯体采用环保6063高强度铝,表面高端美国老虎粉体烤漆喷涂处理,以确保海边等高酸碱环境的使用。
- 4.玻璃采用4MM超白高强度钢化玻璃,保证灯具光输出的超高效率达90%以上和色温的准确性以及极强的抗冲击承重能力。
- 5.LED采用国际一线品牌美国CREE,超高亮度输出,光色一致性好,显色指数大于80以上(可选90以上)。
- 6.驱动模块采用国际一线品牌元器件,保证灯具稳定与故障的低概率。
- 7.灯具支持DMX512,1-10V,DALI,TRIAC,PWM调光控制,调光平滑柔和。

- 1.The products are self - developed with independent intellectual property rights. And LEDs are hidden deep in the bottom enables the lighting fixture with excellent anti-glare performance.
- 2.Integrated heat radiation structure design provides sufficient heat dissipation for the LED,thus the lights has long lifetime..
- 3.316L stainless steel surface cover with titanize treatment process,environmental ACD12# high strength die-casting aluminum lamp housing with imported American brand Tiger powder coating spray process,the high quality material make the light can be used in some place with high acids and bases like sea side.
4. Ultra clear and high strengthen 8mm tempered glass cover, ensure high luminous efficacy (90-95%) , outstanding accuracy of color temperature, and excellent impact resistance and rub resistance.
- 5.CREE brand as LED light source, ultra high lumen output, high light color uniformity and high CRI (Ra>80 or Ra>90).
- 6.Top quality driver, components and excellent circuit design ensures the product with stable quality and low failure rate.
- 7.Optional DMX512, 0/1-10V, DALI, TRIAC, PWM dimming function.

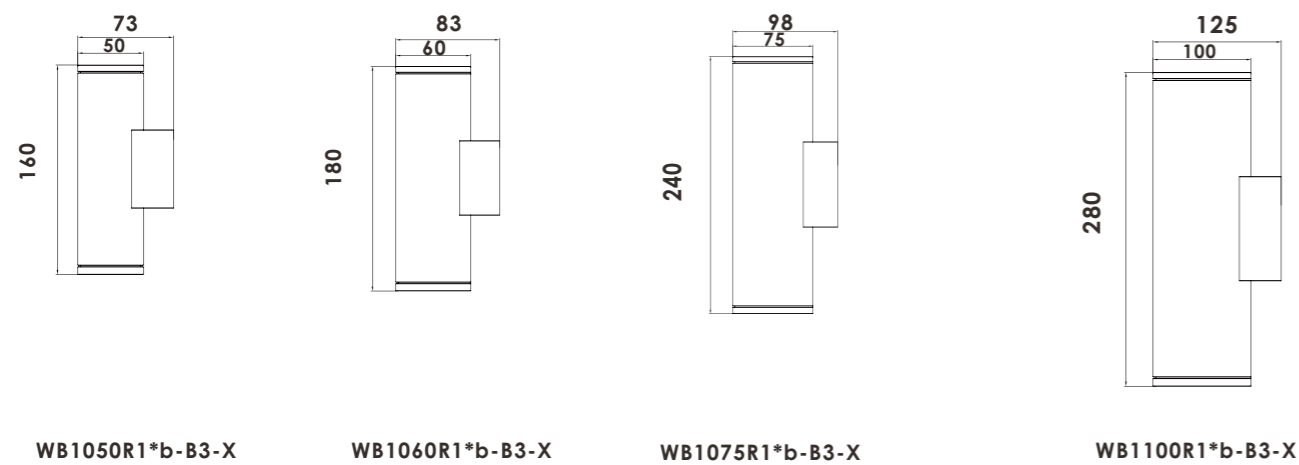
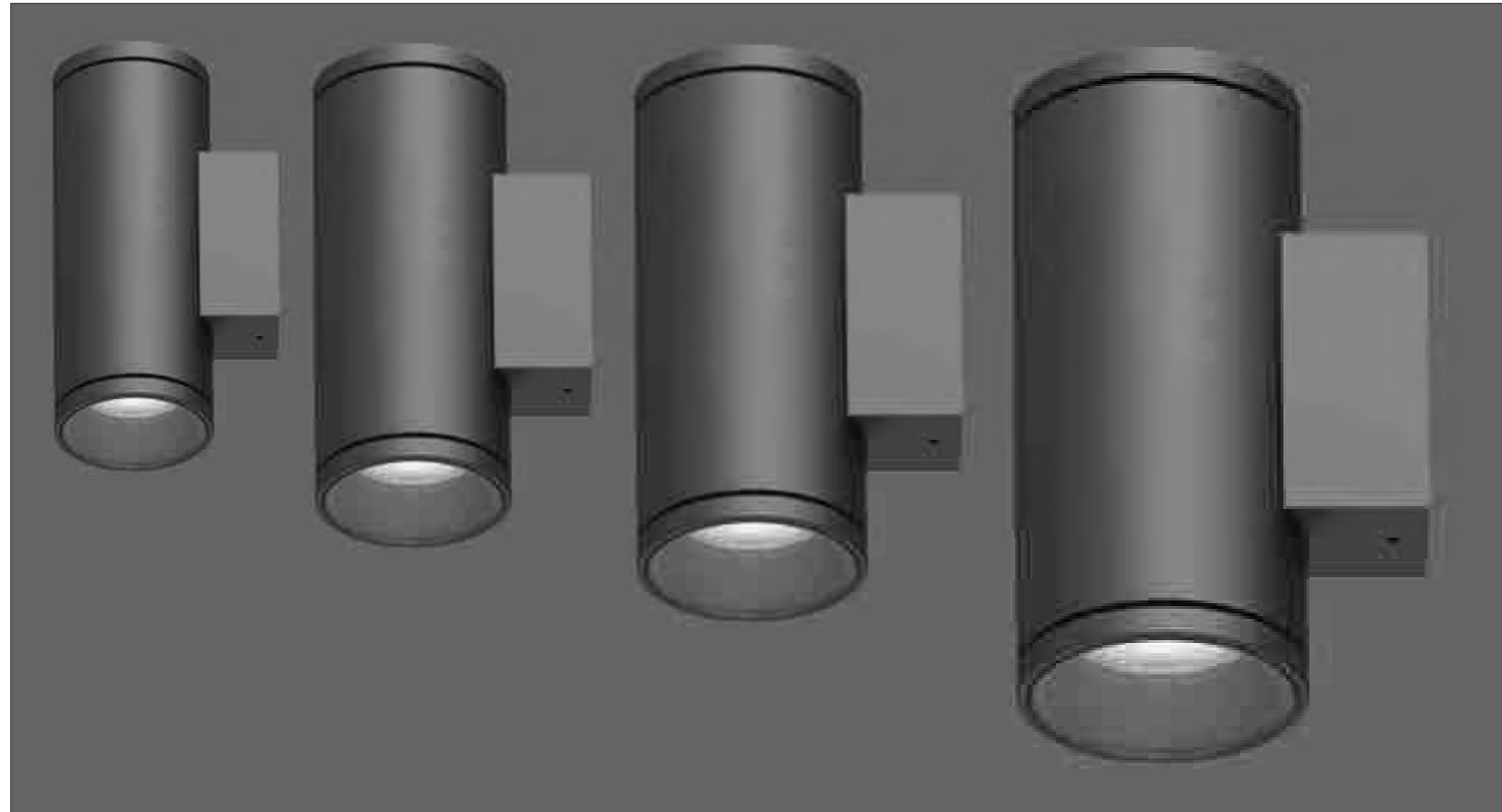
### Product specifications

Item No.	WB1050R1*α-B3-X	WB1060R1*α-B3-X	WB1075R1*α-B3-X	WB1100R1*α-B3-X
LED source	CREE			
Beam angle	15°/25°/38°/60°			
LED color	2700K/3000K/4000K/6000K			
Power	1*5W	1*10W	1*15W	1*20W
Input voltage	DC12V/DC24V H05RN-F-2*1.0mm <sup>2</sup> AC220~240V H05RN-F-3*0.75mm <sup>2</sup>			
Operating temperature	-20°C~40°C			
IK rate	04			
Luminance(lm)	Warm white=lm/ Cool white=lm			
Dimmable support	Triac/PWM/0-10V/DALI/DMX512 (internal)			



# 防眩LED双头壁灯

## Depth Illuminant COB LED Wall Light



### 产品简介Product Introduction

- 1.拥有自主知识产权外观设计,LED深藏,具有优秀的防眩光性能。
- 2.灯具采用一体式散热结构,保证LED的有充足的散热,使灯具达到长时间的使用寿命。
- 3.面盖灯体采用环保6063高强度铝,表面高端美国老虎粉体烤漆喷涂处理,以确保海边等强酸碱环境的使用。
- 4.玻璃采用4MM超白高强度钢化玻璃,保证灯具光输出的超高效率达90%以上和色温的准确性以及极强的抗冲击承重能力。
- 5.LED采用国际一线品牌美国CREE,超高亮度输出,光色一致性好,显色指数大于80以上(可选90以上)。
- 6.驱动模块采用国际一线品牌元器件,保证灯具稳定与故障的低概率。
- 7.灯具支持DMX512,1-10V,DALI,TRIAC,PWM调光控制,调光顺滑柔和。

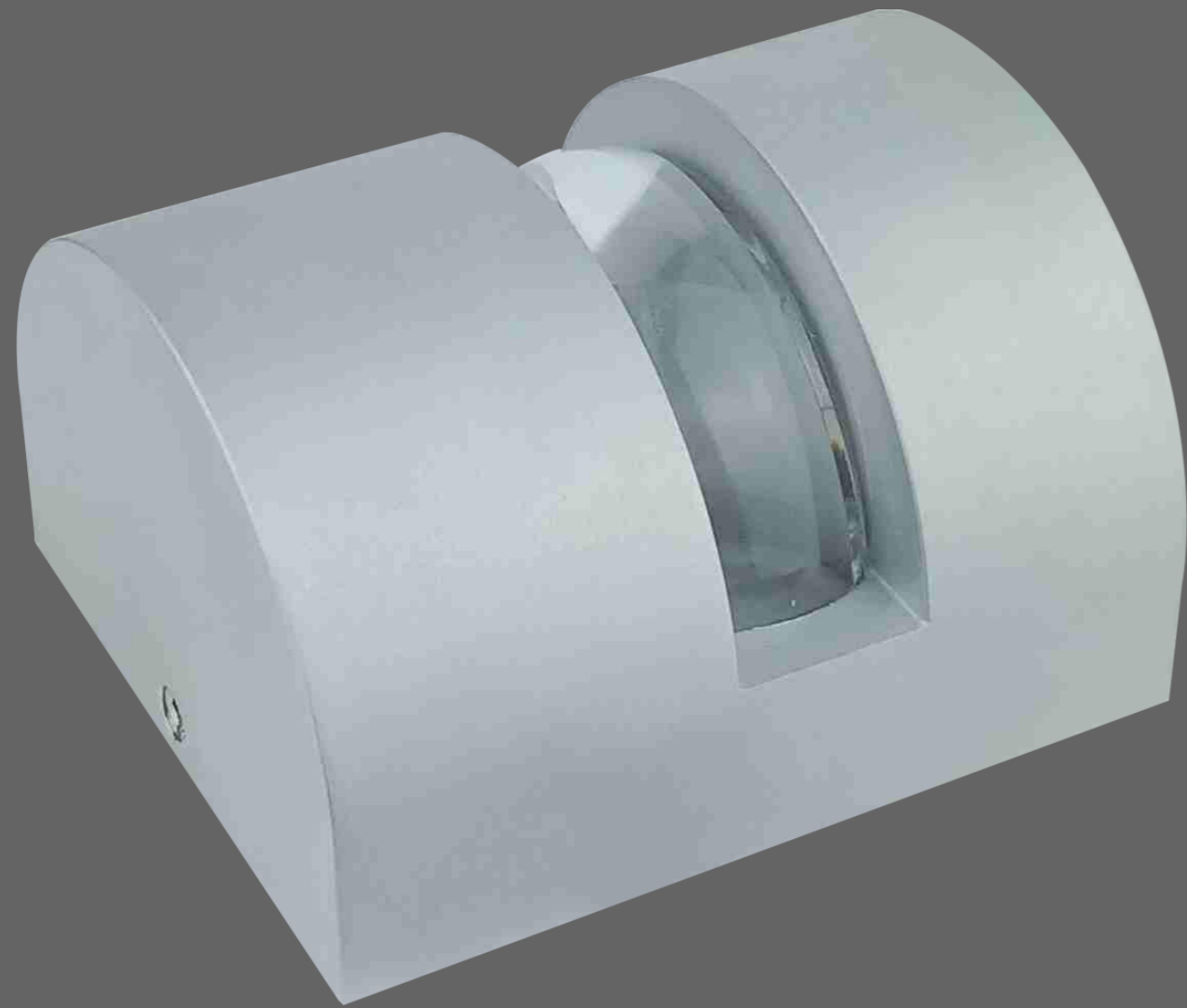
- 1.The products are self - developed with independent intellectual property rights. And LEDs are hidden deep in the bottom enables the lighting fixture with excellent anti-glare performance.
- 2.Integrated heat radiation structure provides sufficient heat dissipation for the LED,thus the lights has long lifetime..
- 3.316L stainless steel surface cover with titanize treatment process,environmental ACD12# high strength die-casting aluminum lamp housing with imported American brand Tiger powder coating spray process, the high quality material make the light can be used in some place with high acids and bases like sea side.
4. Ultra clear and high strengthen 8mm tempered glass cover, ensure high luminous efficacy (90-95%) , outstanding accuracy of color temperature, and excellent impact resistance and rub resistance.
- 5.CREE brand as LED light source, ultra high lumen output, high light color uniformity and high CRI (Ra>80 or Ra>90).
- 6.Top quality driver, components and excellent circuit design ensures the product with stable quality and low failure rate.
- 7.Optional DMX512, 0/1-10V, DALI, TRIAC, PWM dimming function.

### Product specifications

Item No.	WB1050R1*b-B3-X	WB1060R1*b-B3-X	WB1075R1*b-B3-X	WB1100R1*b-B3-X
LED source	CREE			
Beam angle	15°/25°/38°/60°			
LED color	2700K/3000K/4000K/6000K			
Power	2*5W	2*10W	2*15W	2*20W
Input voltage	DC12V/DC24V H05RN-F-2*1.0mm² AC220~240V H05RN-F-3*0.75mm²			
Operating temperature	-20°C~40°C			
IK rate	04			
Luminance(lm)	Warm white=lm/ Cool white=lm			
Dimmable support	Triac/PWM/0-10V/DALI/DMX512 (internal)			

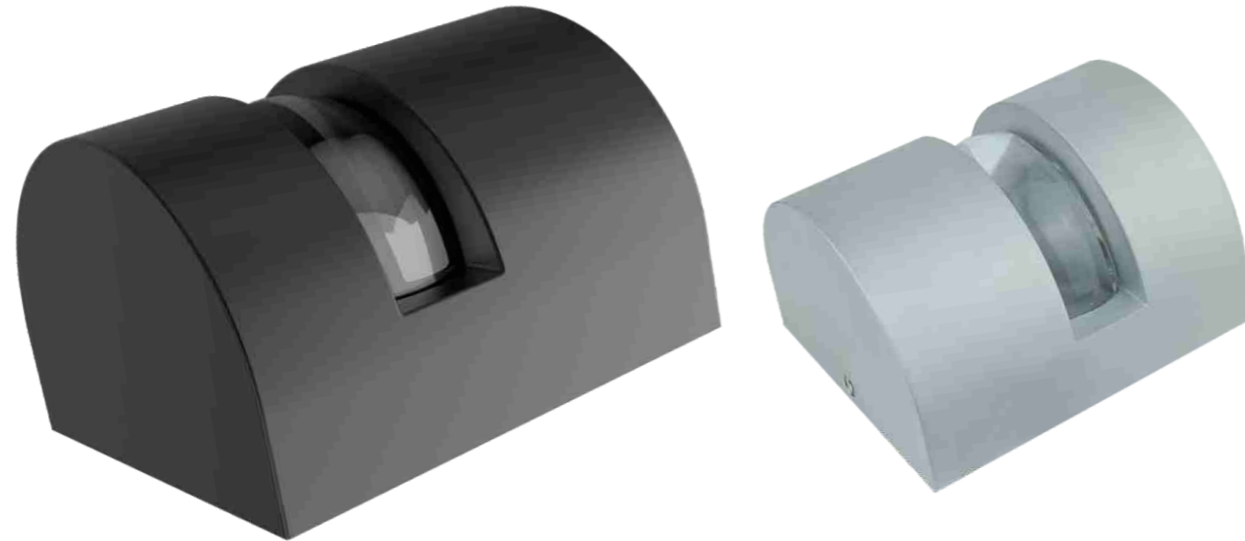


LED窗台灯  
LED Outline light Series

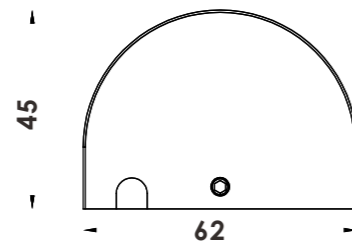
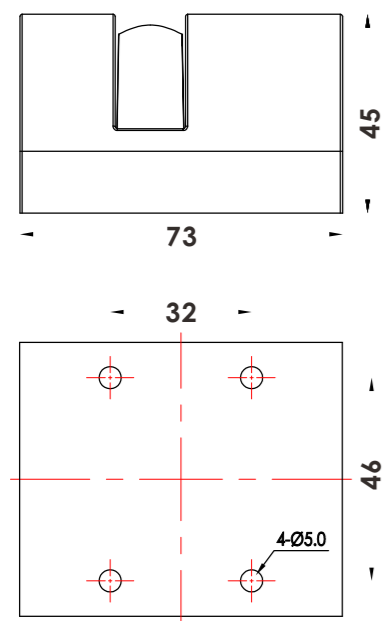


# LED窗台灯

## LED Outline Light



WB1062R1\*α-A3-X



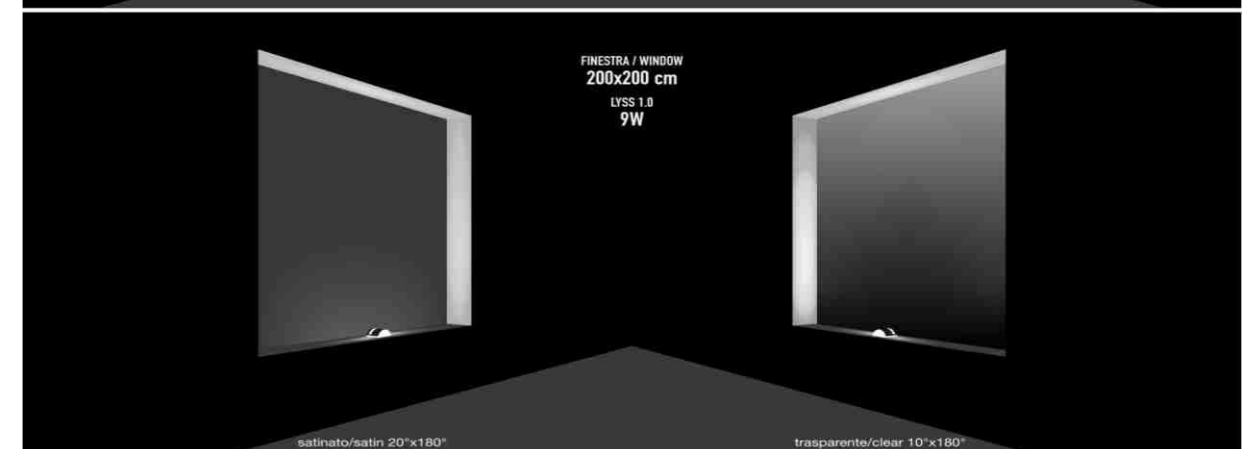
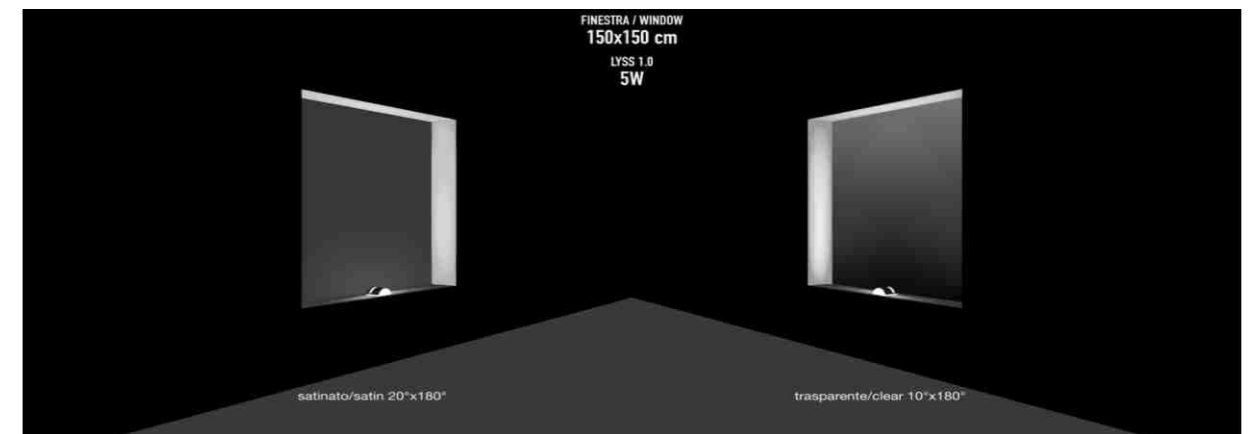
### 产品简介Product Introduction

- 1.拥有自主知识产权外观设计,LED深藏,具有优秀的防眩光性能。
- 2.灯具采用一体式散热结构,保证LED的有充足的散热,使灯具达到长时间的使用寿命。
- 3.灯体采用环保ACD12#高强度压铸铝,表面高端美国老虎粉体烤漆喷涂处理,以确保海边等高酸碱环境的使用。
- 4.透镜采用日本三菱PMMA材料,保证灯具光输出的超高效率达90以上和色温的准确性以及极强的抗冲击承重能力。
- 5.LED采用国际一线品牌美国CREE,超高亮度输出,光色一致性好,显色指数大于80以上(可选90以上)。
- 6.驱动模块采用国际一线品牌元器件,保证灯具稳定与故障的低概率。
- 7.灯具支持DMX512,1-10V,DALI,TRIAC,PWM调光控制,调光顺滑柔和。

- 1.The products are self - developed with independent intellectual property rights. And LEDs are hidden deep in the bottom enables the lighting fixture with excellent anti-glare performance.
- 2.Integrated heat radiation structure design provides sufficient heat dissipation for the LED,thus the lights has long lifetime..
- 3.316L stainless steel surface cover with titanize treatment process,environmental ACD12# high strength die-casting aluminum lamp housing with imported American brand Tiger powder coating spray process, the high quality material make the light can be used in some place with high acids and bases like sea side.
4. Ultra clear and high strength 8mm tempered glass cover, ensure high luminous efficacy (90-95%) , outstanding accuracy of color temperature, and excellent impact resistance and rub resistance.
- 5.CREE brand as LED light source, ultra high lumen output, high light color uniformity and high CRI (Ra>80 or Ra>90).
- 6.Top quality driver, components and excellent circuit design ensures the product with stable quality and low failure rate.
- 7.Optional DMX512, 0/1-10V, DALI, TRIAC, PWM dimming function.

### Product specifications

Item No.	WB1062R1*α-A3-X
LED source	CREE
Beam angle	2*120°
LED color	2200K/2700K/3000K/4000K/5000K/6000K
Power	1*3W
Input voltage	DC12V/DC24V H05RN-F-2*1.0mm <sup>2</sup> AC220~240V H05RN-F-3*0.75mm <sup>2</sup>
Operating temperature	-20°C~40°C
IK rate	05
Luminance(lm)	Warm white=-lm/ Cool white=-lm
Dimmable support	Triac/PWM/0-10V/DALI/DMX512

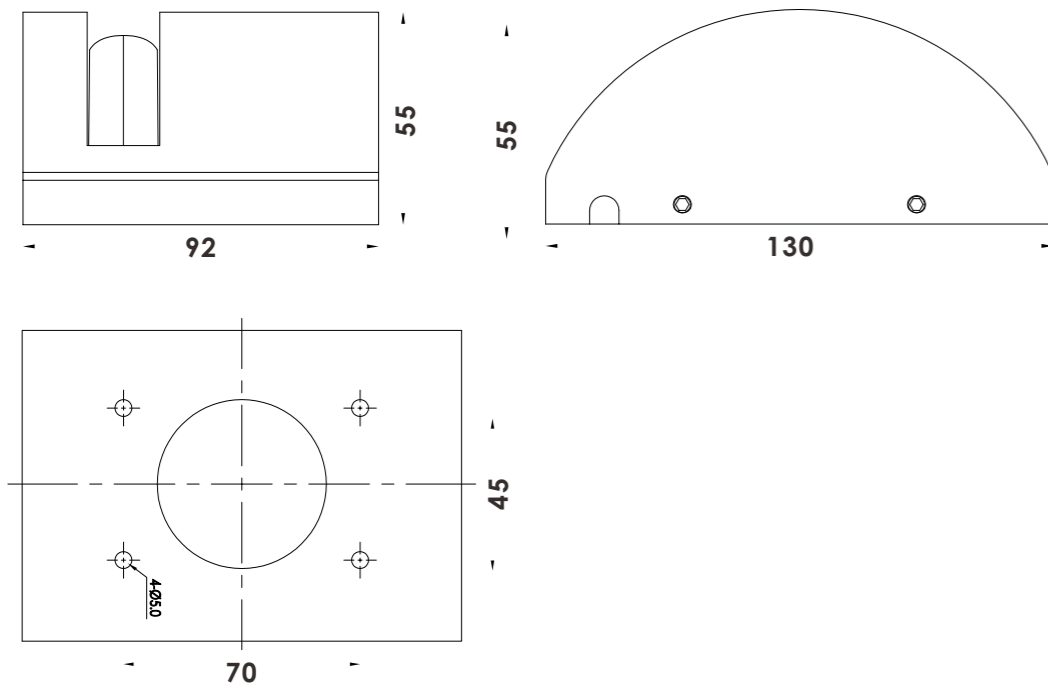


# LED窗台灯

## LED Outline Light



WB1130R1\*a-A3-X



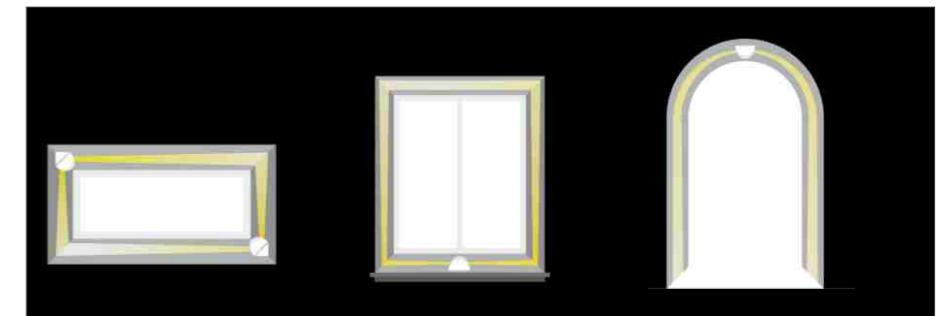
### 产品简介Product Introduction

- 1.拥有自主知识产权外观设计,LED深藏,具有优秀的防眩光性能。
- 2.灯具采用一体式散热结构,保证LED的有充足的散热,使灯具达到长时间的使用寿命。
- 3.灯体采用环保ACD12#高强度压铸铝,表面高端美国老虎粉体烤漆喷涂处理,以确保海边等高酸碱环境的使用。
- 4.透镜采用日本三菱PMMA材料,保证灯具光输出的超高效率达90%以上和色温的准确性以及极强的抗冲击承重能力。
- 5.LED采用国际一线品牌美国CREE,超高亮度输出,光色一致性好,显色指数大于80以上(可选90以上)。
- 6.驱动模块采用国际一线品牌元器件,保证灯具稳定与故障的低概率。
- 7.灯具支持DMX512,1-10V,DALI,TRIAC,PWM调光控制,调光顺滑柔和。

- 1.The products are self - developed with independent intellectual property rights. And LEDs are hidden deep in the bottom enables the lighting fixture with excellent anti-glare performance.
- 2.Integrated heat radiation structure design provides sufficient heat dissipation for the LED,thus the lights has long lifetime..
- 3.316L stainless steel surface cover with titanize treatment process,environmental ACD12# high strength die-casting aluminum lamp housing with imported American brand Tiger powder coating spray process,the high quality material make the light can be used in some place with high acids and bases like sea side.
4. Ultra clear and high strengthen 8mm tempered glass cover, ensure high luminous efficacy (90-95%) , outstanding accuracy of color temperature, and excellent impact resistance and rub resistance.
- 5.CREE brand as LED light source, ultra high lumen output, high light color uniformity and high CRI (Ra>80 or Ra>90).
- 6.Top quality driver, components and excellent circuit design ensures the product with stable quality and low failure rate.

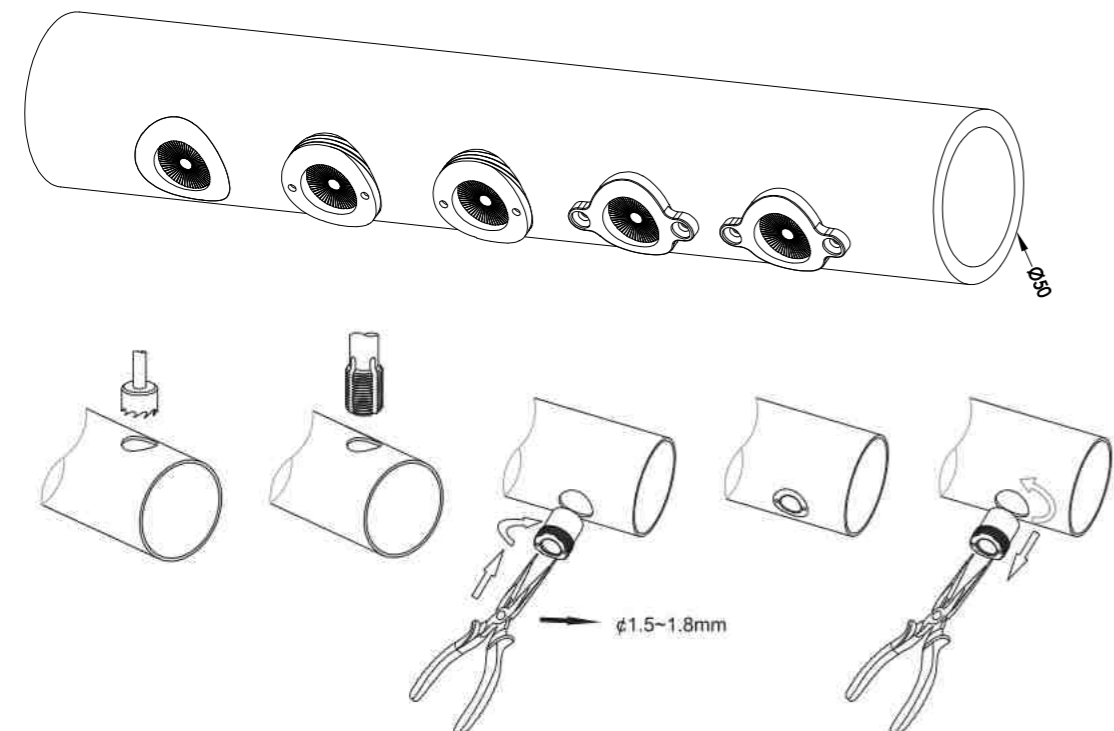
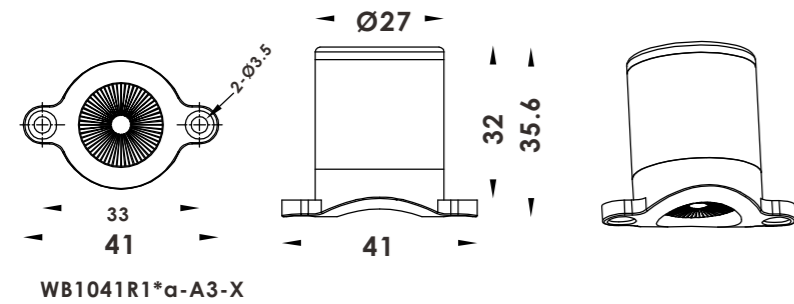
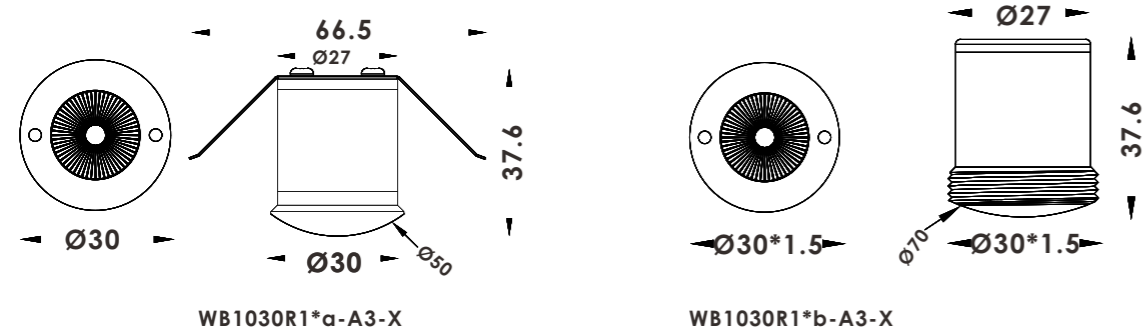
### Product specifications

Item No.	WB1130R1*a-A3-X
LED source	CREE
Beam angle	2*120°
LED color	2200K/2700K/3000K/4000K/5000K/6000K
Power	1*3W
Input voltage	DC12V/DC24V H05RN-F-2*1.0mm <sup>2</sup> AC220~240V H05RN-F-3*0.75mm <sup>2</sup>
Operating temperature	-20°C~40°C
IK rate	05
Luminance(lm)	Warm white=-lm/ Cool white=-lm
Dimmable support	Triac/PWM/0-10V/DALI/DMX512



# LED扶手灯

## LED Handrail Light



### 产品简介Product Introduction

- 1.拥有自主知识产权外观设计,外观典雅优美。
- 2.灯具采用一体式散热结构,保证LED的有充足的散热,使灯具达到长时间的使用寿命。
- 3.灯体采用环保6063铝材,表面阳极电镀处理,以确保海边等高酸碱环境的使用。
- 4.LED采用国际一线品牌美国CREE,超高亮度输出,光色一致性好,显色指数大于80以上(可选90以上)。
- 5.驱动模块采用国际一线品牌元器件,保证灯具稳定与故障的低概率。
- 6.灯具支持DMX512,1-10V,DALI,TRIAC,PWM调光控制,调光平滑柔和。

- 1.The products are self - developed with independent intellectual property rights. And LEDs are hidden deep in the bottom enables the lighting fixture with excellent anti-glare performance.
- 2.Integrated heat radiation structure design provides sufficient heat dissipation for the LED,thus the lights has long lifetime..
- 3.316L stainless steel surface cover with titanize treatment process,environmental ACD12# high strength die-casting aluminum lamp housing with imported American brand Tiger powder coating spray process,the high quality material make the light can be used in some place with high acids and bases like sea side.
- 4.CREE brand as LED light source, ultra high lumen output, high light color uniformity and high CRI (Ra>80 or Ra>90).
- 5.Top quality driver, components and excellent circuit design ensures the product with stable quality and low failure rate.
- 6.Optional DMX512, 0/1-10V, DALI, TRIAC, PWM dimming function.

### Product specifications

Item No.	WB1030R1*a-A3-X	WB1030R1*b-A3-X	WB1041R1*a-A3-X
LED source	CREE		
Beam angle	40°/90°		
LED color	2200K/2700K/3000K/4000K/6000K		
Power	1*1W	1*1W	1*1W
Input voltage	DC12V/DC24V H05RN-F-2*1.0mm <sup>2</sup>		
Operating temperature	-20°C~40°C		
IK rate	04		
Luminance(lm)	Warm white=lm/ Cool white=lm		
Dimmable support	Triac/PWM/0-10V/DALI		

